

# AGP<sup>®</sup>

## Wall Chaser

CG150



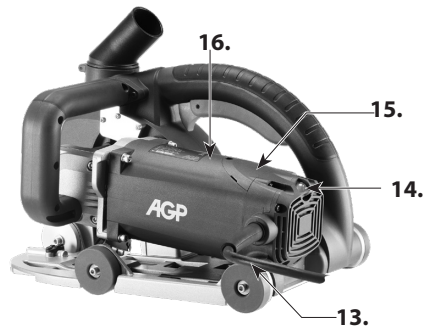
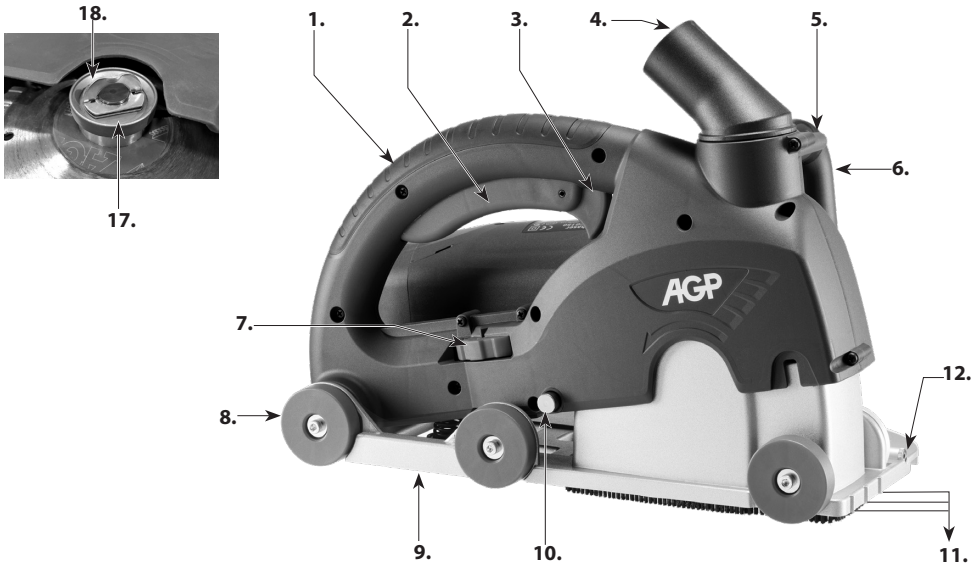
### Instruction Manual

CE CB 



## SPECIFICATIONS

Model	CG150
Power Input	2500 W
Voltage, Frequency	See machine nameplate
No Load RPM	6500/min
Max. Blade Diameter	Ø 150 mm
Blade bore size	22.23 mm (7/8")
Max Depth of Cut	50 mm
Max Channel Width	47 mm
Cut to Ceiling	25 mm
Cut to Edge	28 mm
Cable Length	5 mm
Dimensions (LxWxH)	365 x 220 x 288 mm
Weight ( Without cable and blade )	7.2kg (15.84 lb)



- |                         |                           |
|-------------------------|---------------------------|
| 1. Main Handle          | 10. Limit Pin             |
| 2. Switch Trigger       | 11. Sighting Notches      |
| 3. Trigger Release      | 12. Laser Pointer         |
| 4. Dust Port            | 13. Power Supply Cord     |
| 5. Plunge Release Lever | 14. Load Warning Light    |
| 6. Side Handle          | 15. Brush Cap             |
| 7. Depth Adjuster       | 16. Motor                 |
| 8. Wheel                | 17. Tool-Free Arbor Screw |
| 9. Base                 | 18. Tab                   |

## GENERAL SAFETY INSTRUCTIONS



**WARNING! Read all safety warnings and all instructions.** Failure to follow the warnings and instructions may result in electric shock, fire and/or serious injury.

**Save all warnings and instructions for future reference.** The term “power tool” in the warnings refers to your mainsoperated (corded) power tool or battery-operated (cordless) power tool.

### 1) WORK AREA SAFETY

- a. **Keep work area clean and well lit.** Cluttered or dark areas invite accidents.
- b. **Do not operate power tools in explosive atmospheres, such as in the presence of flammable liquids, gases or dust.** Power tools create sparks which may ignite the dust or fumes.
- c. **Keep children and bystanders away while operating a power tool.** Distractions can cause you to lose control.

### 2) ELECTRICAL SAFETY

- a. **Power tool plugs must match the outlet. Never modify the plug in any way. Do not use any adapter plugs with earthed (grounded) power tools.**  
Unmodified plugs and matching outlets will reduce risk of electric shock.
- b. **Avoid body contact with earthed or grounded surfaces such as pipes, radiators, ranges and refrigerators.** There is an increased risk of electric shock if your body is earthed or grounded.
- c. **Do not expose power tools to rain or wet conditions.** Water entering a power tool will increase the risk of electric shock.
- d. **Do not abuse the cord. Never use the cord for carrying, pulling or unplugging the power tool. Keep cord away from heat, oil, sharp edges or moving parts.** Damaged or entangled cords increase the risk of electric shock.
- e. **When operating a power tool outdoors, use an extension cord suitable for outdoor use.** Use of a cord suitable for outdoor use reduces the risk of electric shock.
- f. **If operating a power tool in a damp location is unavoidable, use an earth leakage circuit breaker.** Use of an earth leakage circuit breaker reduces the risk of electric shock.

### 3) PERSONAL SAFETY

- a. **a) Stay alert, watch what you are doing and use common sense when operating a power tool. Do not use a power tool while you are tired or under the influence of drugs, alcohol or medication.** A moment of inattention while operating power tools may result in serious personal injury.
- b. **b) Use personal protective equipment. Always wear eye protection.** Protective equipment such as dust mask, non-skid safety shoes, hard hat, or hearing protection used for appropriate conditions will reduce personal injuries.
- c. **Prevent unintentional starting. Ensure the switch is in the off-position before connecting to power source and/or battery pack, picking up or carrying the tool.** Carrying power tools with your finger on the switch or energising power tools that have the switch on invites accidents.
- d. **Remove any adjusting key or wrench before turning the power tool on.** A wrench or a key left

attached to a rotating part of the power tool may result in personal injury.

- e. **Do not overreach. Keep proper footing and balance at all times.** This enables better control of the power tool in unexpected situations.
- f. **Dress properly. Do not wear loose clothing or jewelry. Keep your hair, clothing and gloves away from moving parts.** Loose clothes, jewelry or long hair can be caught in moving parts.
- g. **If devices are provided for the connection of dust extraction and collection facilities, ensure these are connected and properly used.** Use of dust collection can reduce dust-related hazards.

#### 4) POWER TOOL USE AND CARE

- a. **Do not force the power tool. Use the correct power tool for your application.** The correct power tool will do the job better and safer at the rate for which it was designed.
- b. **Do not use the power tool if the switch does not turn it on and off.** Any power tool that cannot be controlled with the switch is dangerous and must be repaired.
- c. **Disconnect the plug from the power source and/or the battery pack from the power tool before making any adjustments, changing accessories, or storing power tools.** Such preventive safety measures reduce the risk of starting the power tool accidentally.
- d. **Store idle power tools out of the reach of children and do not allow persons unfamiliar with the power tool or these instructions to operate the power tool.** Power tools are dangerous in the hands of untrained users.
- e. **Maintain power tools. Check for misalignment or binding of moving parts, breakage of parts and any other condition that may affect the power tool's operation. If damaged, have the power tool repaired before use.** Many accidents are caused by poorly maintained power tools.
- f. **Keep cutting tools sharp and clean.** Properly maintained cutting tools with sharp cutting edges are less likely to bind and are easier to control.
- g. **Use the power tool, accessories and tool bits etc., in accordance with these instructions, taking into account the working conditions and the work to be performed.** Use of the power tool for operations different from those intended could result in a hazardous situation.

#### 5) SERVICE

**Have your power tool serviced by a qualified repair person using only identical replacement parts.** This will ensure that the safety of the power tool is maintained.

#### Symbols used in this manual

V.....volts

A.....amperes

Hz.....hertz

W.....watt

~.....alternating current

$n_0$ .....no load speed

$\text{min}^{-1}$ .....revolutions or reciprocation per minute



.....warning of general danger



...class II tool



.....read these instructions



.....always wear eye protection



.....always wear a dust mask.



.....always wear hearing protection



.....wear safety-approved hard hat



.....Keep hands clear – pinching hazard.



DANGER! Keep hands away from cutting area and the blade.



rotating parts - entanglement hazard. Keep hands, loose clothing and long hair away from moving parts



do not dispose of electric tools, accessories and packaging together with household waste material

## SPECIFIC SAFETY RULES

1. **Keep hands away from cutting area and blade at all times! Keep your second hand on an auxiliary handle.** If both hands are holding the saw, they cannot be cut by the blade.
2. **Do not reach underneath the work.**
3. **Hold tool by insulated gripping surfaces when performing an operation where the cutting tools may contact hidden wiring or its own cord.** Contact with a "live" wire will make exposed metal parts of the tool "live" and shock the operator.
4. **Always use blades with correct size and shape arbor holes.** Blades that do not match the mounting hardware of the saw will run eccentrically, causing loss of control.
5. **Never use damaged or incorrect arbor flanges or bolts.** The arbor flanges and bolt were specially designed for your saw, for best performance and safety of operation.
6. **Maintain a firm grip on the saw and position your body and arm in a way that allows you to resist KICKBACK forces.** KICKBACK forces can be controlled by the operator, if proper precautions are taken.
7. **Do not use a dull or damaged blade.**
8. **Use only recommended blades,** rated at the machine's maximum rated RPM or higher with correct arbor hole.
9. **Tighten blade retaining bolt** and all clamps before operating.
10. **Check the inside surfaces** of the arbor flanges as well as the sides of the blade for freedom from any foreign matter.
11. **Check the blade** for cracks or other damage before operation. Replace cracked or damaged blade immediately. Carry out a test run without load for at least 30 seconds before use.
12. **Never start the tool** with the workpiece against the blade.
13. **Allow the motor to achieve full speed** before cutting.
14. **Important: After completing the cut,** release power switch and wait for coasting blade to stop completely before putting the saw down
15. **Never operate** the tool in an area with flammable solids, liquids, or gases. Sparks from the commutator/ carbon brushes could cause a fire or explosion.
16. **There are certain applications for which this tool was designed.** The manufacturer strongly

recommends that this tool NOT be modified and/or used for any application other than for which it was designed. If you have any questions relative to its application DO NOT use the tool until you have written the manufacturer and have been advised.

- 17. Only use the machine for dry cutting in stone, concrete or masonry.**
- 18. Use the auxiliary handles supplied with the tool.** Loss of control can cause personal injury.
- 19. Use a residual current device (PRCD) (not included) to protect from current surges.**
- 20. Keep power supply cord clear from the working range of the machine.** Always lead the cable away behind you.
- 21. Immediately switch off the machine if unusual vibrations or if other malfunctions occur.** Check the machine in order to find out the cause.
- 22. Only use and store diamond blades according to the Manufacturer's instructions.**
- 23. Pay attention to the dimensions of the blades.** The diameter of the center bore must engage the arbor without play. If not use any necessary reduction pieces or adapters (supplied with the blade) to ensure a proper fit.
- 24. Take care to avoid hidden electric lines, gas and water pipes.** Check your working area, e.g. with a metal detector before commencing work.
- 25. The dust that arises when working with this tool can be harmful to health.** Use a dust absorption system and wear a suitable dust protection mask and remove deposited dust with a vacuum cleaner.

## ELECTRICAL CONNECTION

The network voltage must conform to the voltage indicated on the tool name plate. Under no circumstances should the tool be used when the power supply cable is damaged. A damaged cable must be replaced immediately by an authorized Customer Service Center. Do not try to repair the damaged cable yourself. The use of damaged power cables can lead to an electric shock.

## INTRODUCTION

This saw is designed exclusively for the creation of masonry grooves (parallel double cuts in concrete, masonry and stone) for the purpose of placing water, electric or gas conduits. The machine is designed to use a pair of parallel diamond blades (not included) . This machine should not be used for cutting other materials. The machine should not be converted or modified, e.g. for any other form of use, other than as specified in these operating instructions. The user shall be liable for damages and accidents due to incorrect use.

## UNPACKING

Carefully remove the tool and all loose items from the container. Retain all packing materials until after you have inspected and satisfactorily operated the machine.

**NOTE: An appropriate dry diamond blades (not included) must be mounted to the machine before operating.**

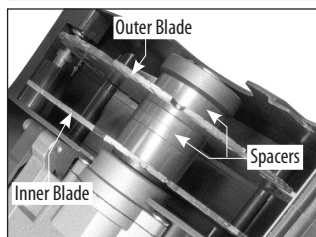
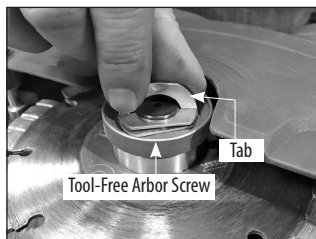
## CARTON CONTENTS

1. Wall Chaser Machine
2. 2 Blade Spacers Set: 15mm, 10mm, 6mm (x2), 4mm
3. 5 Blade Spacers Set: 3.1mm (x5)

## INSTALLING THE DIAMOND BLADES AND ADJUSTING THE GROOVE WIDTH

### INSTALLING THE BLADES:

1. Unplug the machine and push the limit pin to release the base and allow it swing down and out of the way.
2. Place the inner blade in position directly on the arbor making sure the direction of rotation arrow of the blade and the arrow on the machine are in the same direction.
3. Place as many spacers as necessary to achieve the desired groove width. They are in sizes 15, 10, 6 (x2) and 4mm. There is also a set of 5 spacers of thickness 3.1mm for mounting 5 blades.
4. Place the outer blade in position.
5. Place all of the remaining spacers from the 2 blade spacer set on top of the outer blade (so that the arbor may be tightened).
6. Place the tool-free arbor screw in position.
7. If you are mounting 5 blades, start with the first blade directly on the arbor, then one 3.1mm spacer and alternate blade and spacer until all are in place. Then add enough spacers to fill the arbor and add the arbor screw.
8. Flip up the tab on the arbor screw and screw it in tightly. It may be helpful to wear gloves and grab the blade to immobilize it while tightening the arbor screw. Once tight, flip the tab back down.
9. When closing the base, ensure that the spring is properly positioned in its socket in the base, then press the limit pin to allow the base to close.



**NOTE: Use blades that have an arbor bore which can fit, and that are rated for the machine's maximum rated speed or higher.**

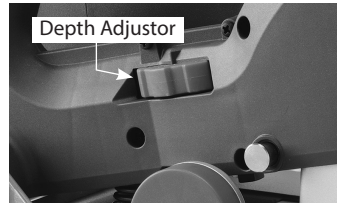
### REMOVING THE BLADE

Removal is the opposite of installing the blade.

## TO ADJUST THE DEPTH OF CUT

Turn the depth adjustor wheel to the desired depth of cut. Note that the actual depth of cut will decrease slightly as the diamond blades wear.

**CAUTION: For deep cuts in hard materials, it is recommended to pre-cut about 20mm before performing the final full depth cut. This will be faster, more efficient and less stressful to the motor.**



## VACUUM DUST COLLECTION

There is a vacuum port provided on the blade cover to collect dust when operating. Always make use of it. Simply attach the vacuum cleaner hose to the vacuum port.



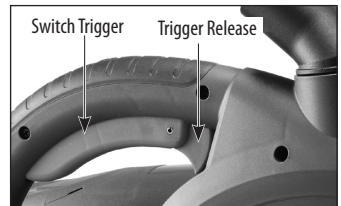
## STARTING AND STOPPING TOOL

### To switch on:

This machine has a lock-off type switch. First press the trigger release, then squeeze the trigger switch to switch on. For safety reasons, the switch is not possible to lock on.

### To switch off:

Release the trigger switch to stop the machine. After the machine has been switched off, the blade will still rotate for a time, take care that parts of your body do not come into contact with the blade while it is still rotating !



## LOAD WARNING, OVERLOAD PROTECTION AND OVERHEAT PROTECTION

### Load Warning Light:

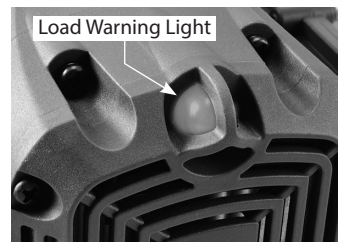
Whenever the unit is plugged in, the light will be lit solid green.

When the load on the motor is in the maximum range, the light will flash red.

When the motor is overloaded or overheated, the light will be lit solid red.

### Load Warning Function:

When maximum load is exceeded, the load warning function will operate, causing the motor to pulsate. When this happens, the operator should decrease the force on the tool, and it will return to normal operation automatically. If the load is not decreased, the motor will shut





down and the load warning light will be lit solid red. In this case, the motor must be restarted by turning the switch OFF and then back ON.

### **Overheat Thermal Protection:**

If the temperature of the motor gets too high, the thermal protection will shut the motor down and the load warning light will be lit solid red. The motor must be restarted by turning the switch OFF and then back ON. When this happens, do not immediately put a load on the motor after restarting. Always run the machine at no load for a few minutes to return to a normal operating temperature before continuing.

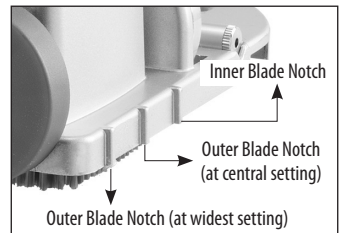
**CAUTION: The motor will be damaged if it is repeatedly overloaded or overheated. Always cool the motor by running at no load for a few minutes whenever it stops from either overheat or overload.**

## **HOW TO USE THE TOOL**

Effective control of this powerful saw requires two-handed operation for maximum protection. Hold the saw firmly WITH BOTH HANDS to prevent loss of control which could cause personal injury.

### **SIGHTING NOTCHES**

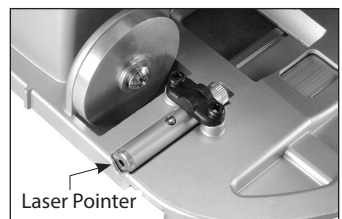
The sighting notches at the front of the machine show the operator the line of cut. The innermost notch indicates the line of the inner blade. Use the inner notch as a reference point as it will not change with different channel width settings. The outermost notch shows the line of the outer blade at widest setting. The central notch shows the outer line of a 26.5mm channel width.



### **LASER POINTER**

The laser pointer will point exactly 50mm inside of the line of the inner blade. Therefore, mark a point on the wall or floor 50mm to the right of the intended cutting line and keep the laser pointed at this mark while cutting.

**NOTE: The first time the laser is used, remove the small plastic insulator so that its battery can make contact.**



### **OPTIONAL GUIDE RAIL**

The optional guide rail helps keep the cutting line perfectly straight. The machine has slots built into the base which engage with the guide rail. To mount the guide rail on the wall, wedge the ends of the guide rail supports

to the floor and ceiling and tighten the thumb screws. The cutting line will be 32.5mm from the edge of the guide rail.

**NOTE: To avoid binding of the plunge release mechanism, first relax the downward pressure on the machine while squeezing the plunge release lever to allow it to release normally**

## **OPERATION**

1. Adjust the groove width as desired.
2. Adjust the depth of cut.
3. Mark the intended cutting line.
4. Place the machine in position on the workpiece.
5. While it is still raised and the blades are not yet in contact with the workpiece, squeeze the trigger and allow the machine to reach full speed.
6. Holding firmly with both hands, squeeze the plunge release lever and slowly lower the blades into the cut, continuing until the depth stop is reached. Start at the top of the wall and pull the machine downwards. Take care that the base remains firmly on the workpiece.

**NOTE: To avoid binding of the plunge release mechanism, first relax the downward pressure on the machine while squeezing the plunge release lever to allow it to release normally.**

**CAUTION: Take care not to cut in a curved line. This will likely shatter the diamond blades causing a severe hazard.**

7. When the cut is finished, raise the machine to the top of its stroke and allow the coasting blade to come to a full stop before setting down.

Do not force the cut. Let the saw do the cutting at the rate of speed permitted by the type of cut and workpiece.

## **SHARPENING DULL DIAMOND BLADES**

If a lot of sparks are seen while cutting, this is a sign that the blade is becoming dull. To create better diamond exposure (sharpen), make several cuts in a special sharpening stone for diamond blades or alternately use calcareous sandstone.

## **MAINTENANCE**

Every 50 hours of operation blow compressed air through the motor while running at no load to clean out accumulated dust. (If operating in especially dusty conditions, perform this operation more often.)

## KEEP TOOL CLEAN

All plastic parts should be cleaned with a soft damp cloth. NEVER use solvents to clean plastic parts. They could possibly dissolve or otherwise damage the material. Wear safety glasses while using compressed air.

## THE CARBON BRUSHES

The carbon brushes are a normal wearing part and must be replaced when they reach their wear limit.

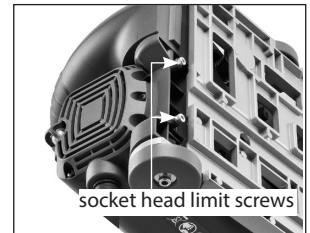
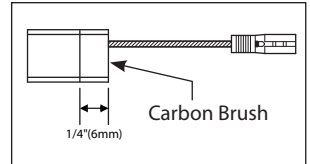
Replace the brushes if they are worn to 6mm or less.

### To replace:

Unplug the machine, remove the 2 socket head limit screws, press the limit pin to open the base, and remove the screw to release each brush cap.

Pull back on the carbon brush springs to release the tension. Unscrew the screw holding the carbon brush lead. Then pull out the brush.

Repeat for the other side. To reassemble reverse the procedure.

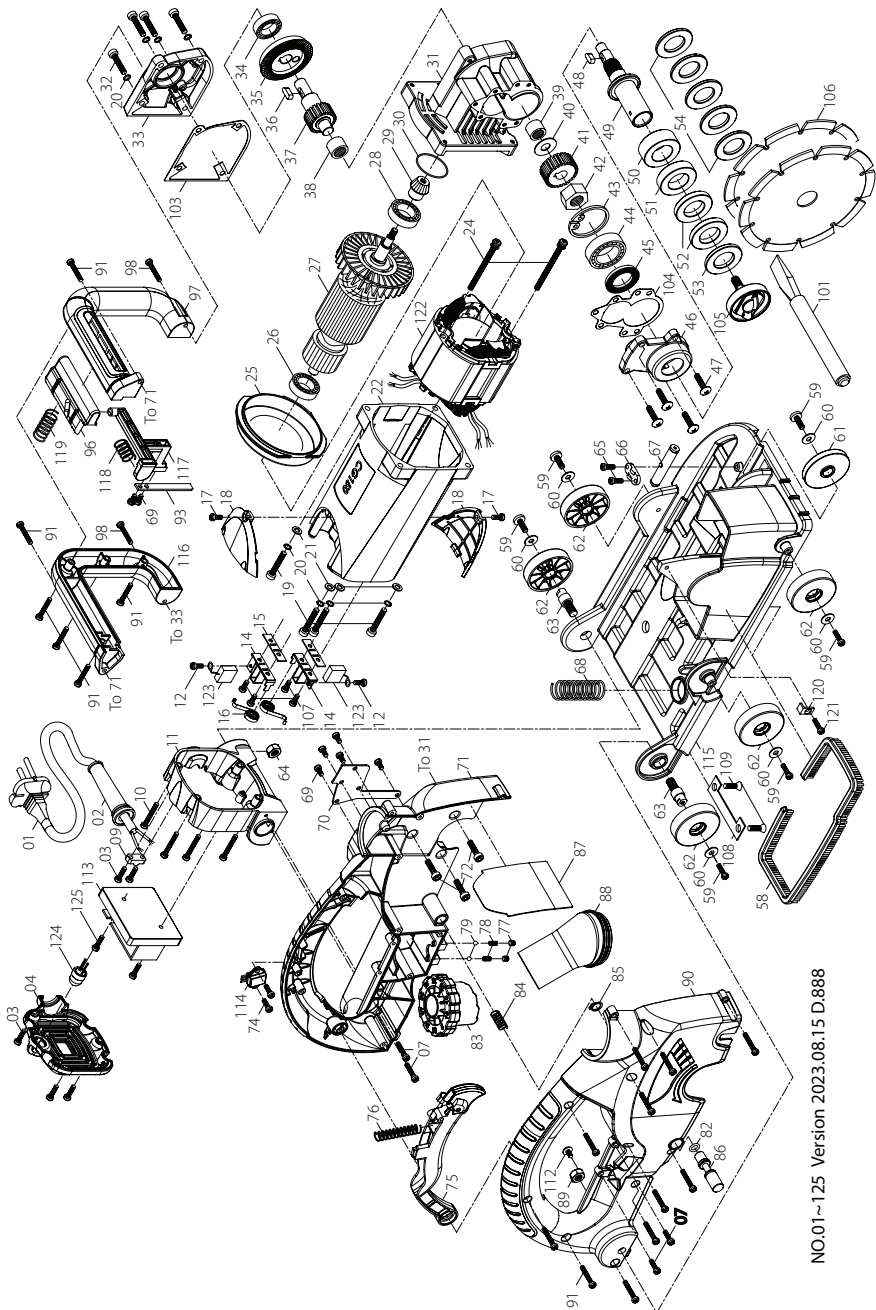


**NOTE: To reinstall the same brushes, first make sure the brushes go back in the way they came out. Otherwise a break-in period will occur that will reduce motor performance and increase brush wear.**

**If the replacement of the power supply cord is necessary, this has to be done by the manufacturer or their agent in order to avoid a safety hazard.**

**WARNING: All repairs must be entrusted to an authorized service center.** Incorrectly performed repairs could lead to injury or death.

# EXPLODED VIEW

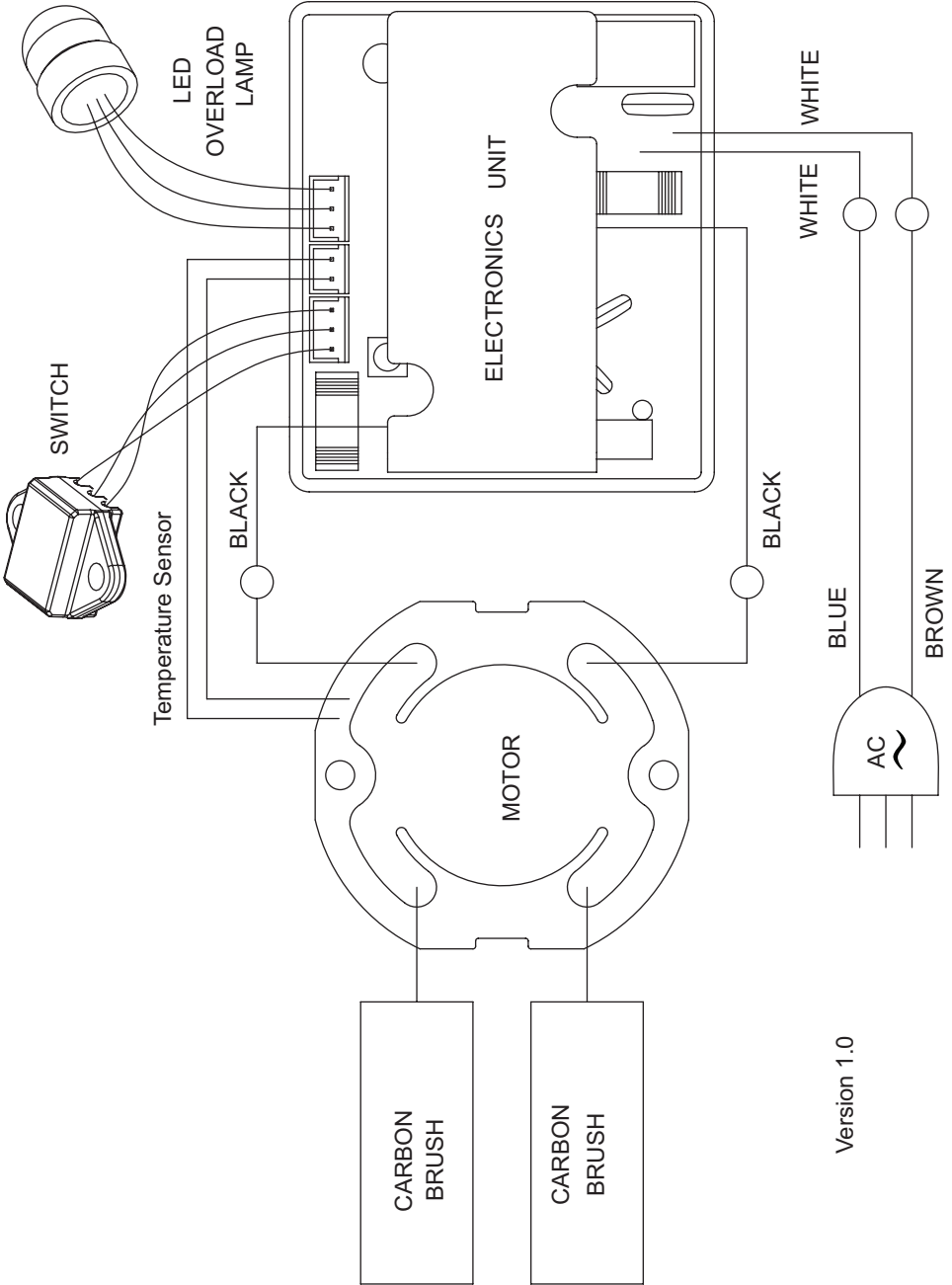


NO.01~125 Version 2023.08.15 D.888

## PARTS LIST

NO.	Parts Name	Q'TY	NO.	Parts Name	Q'TY
1	POWER SUPPLY CABLE (VDE-1.5x2Cx5M-H07RNF)	1	62	GUIDING ROLLER	5
2	CORD ARMOR	1	63	ROLLER AXLE	2
3	PANHEAD TAPPING SCREW-B (M4x14)	5	64	HEX NUT (M8)	1
4	BUTT PLATE (GRAY-RAL7016)	1	65	PANHEAD MACHINE SCREW (M4x12xP0.7)	2
7	PANHEAD TAPPING SCREW (M4x16)	4	66	CABLE CLIP	1
9	CABLE CLIP	1	67	LASER POINTER UNIT	1
10	PANHEAD TAPPING SCREW (M4x30)	4	68	SPRING (Ø2.3xØ15.4xØ20x17Tx100L)	1
11	MOTOR END CASTING	1	69	PANHEAD TAPPING SCREW (M4x10)	7
12	PANHEAD MACHINE SCREW (M4-0.7 x 6)	2	70	PLATE	1
14	CARBON BRUSH HOLDER (7x17)	2	71	INNER COVER	1
15	INSULATION PLATE (10x38x1)	2	72	SOCKET CAP SCREW (M5x16xP0.8)	3
16	BRUSH SPRING (0.4x4x3T)	2	74	PANHEAD TAPPING SCREW (M4x12)	2
17	PANHEAD TAPPING SCREW (M4x10)	2	75	TRIGGER (RED-187C)	1
18	BRUSH CAP	2	76	SPRING (Ø1.2xØ8.2xØ10.6x16Tx58L)	1
19	SOCKET CAP SCREW (M5x30xP0.8)	4	77	SOCKET SET SCREW (M5x6xP0.8)	2
20	SPRING WASHER (M5)	8	78	SPRING (Ø0.6xØ2.7xØ3.9x5Tx8.5L)	2
21	FLAT WASHER (Ø6xØ10x1)	4	79	CHECK BALL (Ø4)	2
22	MOTOR HOUSING	1	82	O-RING (Ø7x2)	1
24	PANHEAD TAPPING SCREW (M5x70)	2	83	DEPTH ADJUSTER	1
25	FAN BAFFLE	1	84	SPRING (Ø1xØ5xØ7x15Tx30L)	1
26	BALL BEARING (6200)	1	85	EXTERNAL CIRCLIP (S12)	1
27	ARMATURE (220V-94x54x55)	1	86	LIMIT PIN	1
28	BALL BEARING (6201)	1	87	GEAR COVER PLATE	1
29	BEVEL PINION GEAR (M1.5x11T)	1	88	DUST COLLECTOR BASE	1
30	O-RING (Ø32x1.5)	1	89	NYLOCK NUT (M8xP1.25)	1
31	GEAR HOUSING	1	90	OUTER COVER	1
32	SOCKET CAP SCREW (M5x25xP0.8)	4	91	PANHEAD TAPPING SCREW (M4x25)	17
33	GEARCASE COVER	1	93	PLUNGE LOCK FINGER	1
34	BALL BEARING (6001)	1	96	PLUNGE RELEASE LEVER	1
35	BEVEL GEAR (M1.5x37T)	1	97	FRONT HANDLE HALF-F	1
36	PARALLEL KEY (5x5x15)	1	98	PANHEAD MACHINE SCREW (M4x20xP0.7)	2
37	INPUT SHAFT (M1.25x21T)	1	101	CHISEL	1
38	NEEDLE BEARING (HK 1212)	1	103	GASKET	1
39	NEEDLE BEARING (TA 1010)	1	104	GASKET	1
40	THRUST RING (1024)	1	105	ARBOR SCREW - TOOL FREE	1
41	OUTPUT GEAR (M1.25x27T)	1	106	SAW BLADE (Ø150 x H10 x T2.6 x Ø22.23)	2
42	NYLOCK NUT (M16xP1.5)	1	107	PANHEAD TAPPING SCREW (M4x12)	4
43	INTERNAL CIRCLIP (R-40)	1	108	LIMIT PLATE	1
44	BALL BEARING (6203)	1	109	FLAT HEAD MACHINE SCREW (M4x10xP0.7)	2
45	FELT OILER (Ø24xØ35x4)	1	112	TRUSS HEAD TAPPING SCREW (M4x8)	1
46	GEAR PLATE (SILVER)	1	113	ELECTRONICS UNIT (220V)	1
47	TRUSS HEAD MACHINE SCREW (M5x20xP0.8)	4	114	HALL EFFECT SWITCH	1
48	PARALLEL KEY (5x5x12)	1	115	BASE ASSEMBLY	1
49	SPINDLE (109.2MM)	1	116	FRONT HANDLE HALF-R	1
50	SPACER (Ø22.45-15MM)	1	117	PLUNGE LOCK CARRIER	1
51	SPACER (Ø22.45-10MM)	1	118	SPRING (Ø1.0xØ8xØ10x10Tx38L)	1
52	SPACER (Ø22.45-6MM)	2	119	SPRING (Ø1.0xØ8xØ10x14Tx52L)	1
53	SPACER (Ø22.45-4MM)	1	120	L-TAB	1
54	SPACER (Ø22.45-3.1MM)	5	121	FLAT HEAD MACHINE SCREW (M4x8xP0.7)	1
58	BRUSH	1	122	STATOR (220V-94x54x55)	1
59	SOCKET CAP SCREW (M5x12xP0.8)	6	123	CARBON BRUSH (7x17x19)(220V)	2
60	FLAT WASHER (3/16"xØ14x1)	6	124	LED INDICATOR LIGHT	1
61	GUIDING ROLLER	1	125	PANHEAD TAPPING SCREW (M4x20)	2

# WIRING



Version 1.0

## Noise/vibration information

Measured in accordance with EN 60745-2-3

### Model no. : CG150

**Noise level:** Sound pressure level( $L_{pA}$ ): 95 dB(A)      Sound power level( $L_{wA}$ ): 106 dB(A)       $K= 3.0$  dB

**Vibration level:**  $a_h = 5.0$  m/s<sup>2</sup>       $K = 1.5$  m/s<sup>2</sup>

The vibration emission level has been measured in accordance with a standardised test given in EN 60745; it may be used to compare one tool with another and as a preliminary assessment of exposure to vibration when using the tool for the applications mentioned

- using the tool for different applications, or with different or poorly maintained accessories, may significantly increase the exposure level
- the times when the tool is switched off or when it is running but not actually doing the job, may significantly reduce the exposure level

protect yourself against the effects of vibration by maintaining the tool and its accessories, keeping your hands warm, and organizing your work patterns

## CE Declaration of Conformity

•We declare under our sole responsibility that this product is in conformity with the following standards or standardized documents: EN 60745-1: 2009 + A11: 2010 & EN 60745-2-22: 2011 + A11: 2013, EN 61000, EN 55014 in accordance with the regulations 2014/30/EU, 2006/42/EC, 2011/65/EU

•Technical file at: LEE YEONG INDUSTRIAL CO., LTD., NO.2, KEJIA RD., DOULIU CITY, YUNLIN COUNTY 64057, TAIWAN

You-Chun, Liu  
Operation & Engineering

*You chun Liu*

Chih-Hao, Lai  
Approval Manager

*chih hao lai*

LEE YEONG INDUSTRIAL CO., LTD.,  
NO.2, KEJIA RD., DOULIU CITY, YUNLIN COUNTY 64057, TAIWAN      07.09.2017

**LEE YEONG INDUSTRIAL CO., LTD.**

NO.2, KEJIA RD., DOULIU CITY,  
YUNLIN COUNTY 64057, TAIWAN

TEL: 886-5-5518689 (REP)

Fax: 886-5-5518635

