

AGP[®]

Magnetic Core Drill

MD500/2



Instruction Manual

CE CB  _C _{US}



Magnetic Core Drill (GB)

Safety instructions..... 2

Magnetische Kernbohrmaschine (DE)

Sicherheitshinweise 17

Carotteuse magnétique (FR)

Instructions de sécurité..... 27

Taladro de núcleo magnético (ES)

Instrucciones de seguridad..... 37

Carotatrice magnetica (IT)

Indicazioni per la sicurezza..... 47

Magnetische kernboor (NL)

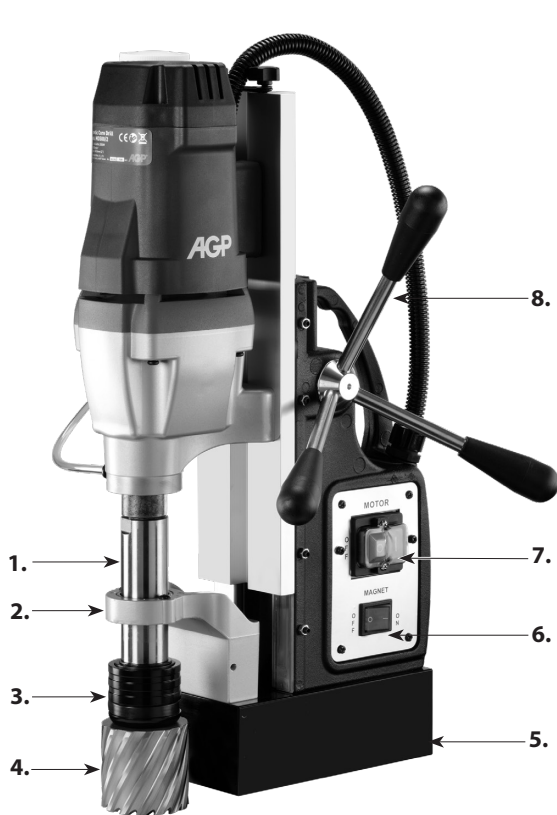
Veiligheidsvoorschriften..... 57

ORIGINAL INSTRUCTIONS

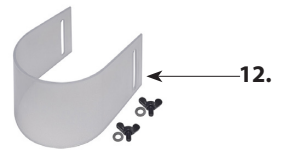
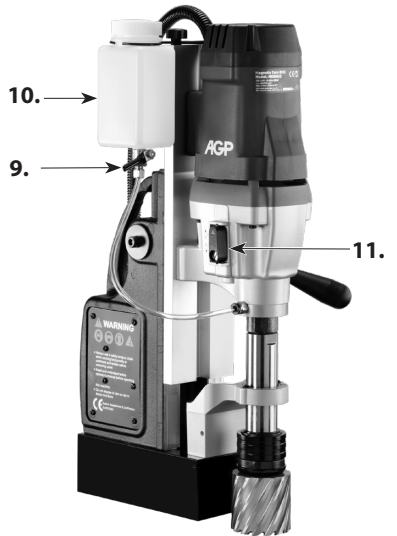
**For Your Personal Safety, Read And Understand Before Using.
Save These Instructions For Future Reference.**

TECHNICAL DATA

Power Input	2000 W (220-240 V), 1700 W (110-120 V)	
Voltage	See Machine Nameplate	
No/Full Load Min ⁻¹	Speed 1	380 / 230
	Speed 2	550 / 330
Capacity	Ø x Depth of Cut (Annular Cutters)	65 x 75 mm (2-9/16" x 3")
	Ø Twist Drills	≤ 16 mm (5/8") Shank
	Stroke	115 mm (4-1/2")
Magnetic Adhesion	32,000 N	
Net Weight	21.1 kg (46.5 lb)	



- 1. Spindle
- 2. Arbor Support Bracket
- 3. Quick-Release Collar
- 4. Annular Cutter & Pilot Pin (not included)
- 5. Magnet Base
- 6. Magnet Switch



- 7. Motor Switch
- 8. Crank Handle
- 9. Coolant Feed Tap
- 10. Coolant Tank
- 11. Gear Selector
- 12. Chip Guard Kit

STANDARD ACCESSORIES

- * Wrench M8
- * L-Hex Key M2.5
- * L-Hex Key M4
- * Chip Guard Kit
- * Coolant Tank Kit
- * Safety Strap

OPTIONAL ACCESSORIES

- * Chuck Adaptor
- * 16 mm (5/8") Chuck & Key

GENERAL POWER TOOL SAFETY WARNINGS



WARNING Read all safety warnings, instructions, illustrations and specifications provided with this power tool. Failure to follow all instructions listed below may result in electric shock, fire and/or serious injury.

Save all warnings and instructions for future reference.

The term "power tool" in the warnings refers to your mains-operated (corded) power tool or battery-operated (cordless) power tool.

1) WORK AREA SAFETY

- a. **Keep work area clean and well lit.** Cluttered or dark areas invite accidents.
- b. **Do not operate power tools in explosive atmospheres, such as in the presence of flammable liquids, gases or dust.** Power tools create sparks which may ignite the dust or fumes.
- c. **Keep children and bystanders away while operating a power tool.** Distractions can cause you to lose control.

2) ELECTRICAL SAFETY

- a. **Power tool plugs must match the outlet. Never modify the plug in any way. Do not use any adapter plugs with earthed (grounded) power tools.** Unmodified plugs and matching outlets will reduce risk of electric shock.
- b. **Avoid body contact with earthed or grounded surfaces, such as pipes, radiators, ranges and refrigerators.** There is an increased risk of electric shock if your body is earthed or grounded.
- c. **Do not expose power tools to rain or wet conditions.** Water entering a power tool will increase the risk of electric shock.
- d. **Do not abuse the cord. Never use the cord for carrying, pulling or unplugging the power tool. Keep cord away from heat, oil, sharp edges or moving parts.** Damaged or entangled cords increase the risk of electric shock.
- e. **When operating a power tool outdoors, use an extension cord suitable for outdoor use.** Use of a cord suitable for outdoor use reduces the risk of electric shock.
- f. **If operating a power tool in a damp location is unavoidable, use a residual current device (RCD) protected supply.** Use of an RCD reduces the risk of electric shock.

3) PERSONAL SAFETY

- a. **Stay alert, watch what you are doing and use common sense when operating a power tool. Do not use a power tool while you are tired or under the influence of drugs, alcohol or medication.** A moment of inattention while operating power tools may result in serious personal injury.
- b. **Use personal protective equipment. Always wear eye protection.** Protective equipment such as a dust mask, non-skid safety shoes, hard hat or hearing protection used for appropriate conditions will reduce personal injuries.
- c. **Prevent unintentional starting. Ensure the switch is in the off-position before connecting to power source and/or battery pack, picking up or carrying the tool.** Carrying power tools with your finger on the switch or energising power tools that have the switch on invites accidents.
- d. **Remove any adjusting key or wrench before turning the power tool on.** A wrench or a key left

attached to a rotating part of the power tool may result in personal injury.

- e. **Do not overreach. Keep proper footing and balance at all times.** This enables better control of the power tool in unexpected situations.
- f. **Dress properly. Do not wear loose clothing or jewellery. Keep your hair and clothing away from moving parts.** Loose clothes, jewellery or long hair can be caught in moving parts.
- g. **If devices are provided for the connection of dust extraction and collection facilities, ensure these are connected and properly used.** Use of dust collection can reduce dust-related hazards.
- h. **Do not let familiarity gained from frequent use of tools allow you to become complacent and ignore tool safety principles.** A careless action can cause severe injury within a fraction of a second.

4) POWER TOOL USE AND CARE

- a. **Do not force the power tool. Use the correct power tool for your application.** The correct power tool will do the job better and safer at the rate for which it was designed.
- b. **Do not use the power tool if the switch does not turn it on and off.** Any power tool that cannot be controlled with the switch is dangerous and must be repaired.
- c. **Disconnect the plug from the power source and/or remove the battery pack, if detachable, from the power tool before making any adjustments, changing accessories, or storing power tools.** Such preventive safety measures reduce the risk of starting the power tool accidentally.
- d. **Store idle power tools out of the reach of children and do not allow persons unfamiliar with the power tool or these instructions to operate the power tool.** Power tools are dangerous in the hands of untrained users.
- e. **Maintain power tools and accessories. Check for misalignment or binding of moving parts, breakage of parts and any other condition that may affect the power tool's operation. If damaged, have the power tool repaired before use.** Many accidents are caused by poorly maintained power tools.
- f. **Keep cutting tools sharp and clean.** Properly maintained cutting tools with sharp cutting edges are less likely to bind and are easier to control.
- g. **Use the power tool, accessories and tool bits etc. in accordance with these instructions, taking into account the working conditions and the work to be performed.** Use of the power tool for operations different from those intended could result in a hazardous situation.
- h. **Keep handles and grasping surfaces dry, clean and free from oil and grease.** Slippery handles and grasping surfaces do not allow for safe handling and control of the tool in unexpected situations.

5) SERVICE

Have your power tool serviced by a qualified repair person using only identical replacement parts. This will ensure that the safety of the power tool is maintained.

TERMINOLOGY USED IN THE MANUAL

- 1. **Warning:** This term means that there is a risk of physical harm or death to the operator or people nearby.
- 2. **Caution:** This term means that there is a risk of damage to the machine, cutting tool or other equipment.
- 3. **Note:** These terms offer useful information relating to the operation of the machine or its maintenance.

Symbols used in this manual

V.....volts

A.....amperes

Hz.....hertz


W.....watt


~.....alternating current

n_0no load speed

min^{-1}revolutions or reciprocation

per minute

warning of general danger

with electrical earth



.....read these instructions



.....always wear eye protection



.....always wear a dust mask.



.....always wear hearing protection



.....wear safety-approved hard hat



do not dispose of electric tools,
accessories and packaging together
with household waste material

DRILL SAFETY WARNINGS

- a. **The drill must be secured.** A drill that is not properly secured may move or tip over and may result in personal injury.
- b. **The workpiece must be clamped or secured to the workpiece support. Do not drill pieces that are too small to be clamped securely.** Holding the workpiece by hand during operation may result in personal injury.
- c. **Do not wear gloves.** Gloves may be entangled by the rotating parts or chips, leading to personal injury.
- d. **Keep your hands out of the drilling area while the tool is running.** Contact with rotating parts or chips may result in personal injury.
- e. **Make sure the accessory is rotating before feeding into the workpiece.** Otherwise the accessory may become jammed in the workpiece, causing unexpected movement of the workpiece and personal injury.
- f. **When the accessory is jammed, stop applying downward pressure and switch off the tool. Investigate and take corrective actions to eliminate the cause of the jam.** Jamming can cause unexpected movement of the workpiece and personal injury.
- g. **Avoid generating long chips by regularly interrupting downward pressure.** Sharp metal chips may cause entanglement and personal injuries.
- h. **Never remove chips from the drilling area while the tool is running. To remove chips, move the accessory away from the workpiece, switch off the tool, and wait for the accessory to stop moving. Use tools such as a brush or hook to remove chips.** Contact with rotating parts or chips may result in personal injury.
- i. **Accessories with speed ratings must be rated at least equal to the maximum speed marked on the power tool.** Accessories running faster than their rated speed can break and fly apart.
- j. **Always use the chip guard kit.**

MAGNETIC DRILL SPECIFIC SAFETY WARNINGS AND CAUTIONS

- a. **Always use safety strap.** Mounting can release.
- b. **WARNING: While operating, only hold the crank handles, not any other part of the machine.** Placing the hand on the machine may result in an electric shock in the event of a voltage leak or if the

machine cuts its own power supply cable.

- c. **Always ensure that the work piece is a minimum of 12mm (7/16 in.) thick. If it is not, then use a piece of steel plate at least 12mm thick and larger than the magnet, below the work piece, to supplement the magnetic adhesion.** The magnet's adhesion depends on the thickness of the work piece.
- d. **Do not operate the machine on a workpiece while it is being welded.** This may lead to damage to the machine and/or personal injury.
- e. **Never position machine on a work piece between the electrode and the ground of any arc type welder.** The welder's current will ground through the earth wire in the machine's power supply cable, causing it damage.
- f. **Do not exceed 90 degrees from horizontal.** It is hazardous to use the drill upside-down.
- g. **Always ensure that the magnet is clean and free of rust and scale.** Metal chips and other debris will hamper magnetic adhesion.
- h. **Always use the tool alone on the receptacle.** Other units used on the same receptacle could cause uneven voltage that could lead to the magnet releasing.
- i. **Ensure that the magnet has properly adhered to the work piece before beginning drilling.** Proper magnet adhesion is essential for safe drilling.
- j. **When drilling non-ferrous (non-magnetic) work materials, only use a manufacturer-approved fixture such as a vacuum base adapter.** Use of accessories which are not manufacturer-approved could result in a hazardous situation.
- k. **Do not operate with dull or damaged cutting tools.** This may overload the motor.
- l. **Avoid operating annular cutters without cutting fluid.** Always check fluid level before operating. Annular cutters require cutting fluid for proper operation and long life.
- m. **Protect the motor. Never allow cutting fluid, water, or other contaminants to enter the motor.** This could lead to electric shock or motor damage.
- n. **When drilling stacked work materials, always stop to clear the slug after the first layer is drilled.** The loose slug will interfere with proper drilling.
- o. **CAUTION: Never attempt to use machine with incorrect current or abnormally low voltage.** Incorrect voltage could lead to motor damage.
- p. **This machine is not intended for production-line type use.**

MAGNET BASE DUTY CYCLE

Do not leave the magnet base activated continuously for more than 60 minutes. If the magnet base is overheated, allow it to cool for 30 minutes before continuing.

CAUTION: Turn the magnet base off when not in use. Leaving the magnet base on continuously will damage it.

ASSEMBLY

Coolant tank assembly required. First attach clear tube to the bottom of the coolant tank. To do this, first loosen the nut and slide nut onto the tube. Then slide tube onto the nipple. Then tighten the nut. Slide tank hanger over the screw on the upper right hand side of slide and tighten. Finally insert the other end of the tube into the quick-release connector in the gearbox. Just directly push in to install. **(To remove, first firmly push the red collar of the connector and pull the tube out.)** Cutting coolant fluid is always required when

using annular cutters. Open tank cover and fill. Check coolant fluid level often. Keep coolant tap closed when not in use.

Chip guard must be used. To attach the chip guard, use the supplied butterfly bolts to bolt to the magnet. It is not necessary to remove guard to clean chips. Simply raise guard to its upper position.

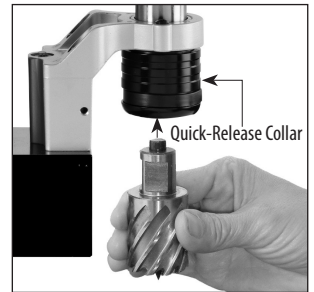
Safety Strap must be used. Loop strap around the workpiece, feed strap through the power tool's handle, and tighten strap using the ratchet mechanism.

MOUNTING ANNULAR CUTTERS

CAUTION: Never use a cutting tool that is larger than the maximum rated capacity of the machine.

Quick-release type arbor:

1. Push up on the quick-release collar and it will lock open. Insert the cutter with its pilot pin and twist the cutter until its flat meets the locking pin. When the flat meets the locking pin, the collar will snap down and lock itself. Double check to ensure that it is fully locked.
2. Ensure that the oil feed tap is on and coolant feeds properly by pushing the pilot pin. If it feeds too quickly or slowly, adjust the tap accordingly. Keep the tap closed when not in use.



GEAR SELECTION

Before drilling select desired gear range by first pushing in on spring-loaded gear selector slider switch and then sliding selector up for high speed or down for low speed. (It may be necessary to turn the arbor slightly in order for the gears to mesh properly). Follow the recommended speed ranges on the cutting speed chart to set the proper speed and gear range.



2 SPEED GEAR CHART

GEAR	NO LOAD min ⁻¹	FULL LOAD min ⁻¹	CUTTER SIZE
1	380	230	40~65 mm (1-9/16" to 2-9/16")
2	550	330	40 mm (1-9/16") or less.

NOTE: These speeds are general recommendations only. Actual speeds should be determined by the material and the cutting speed recommended by the cutting tool manufacturer. See the section below "RECOMMENDED SURFACE SPEEDS" and use the formula to calculate the best RPM.

CAUTION: Ensure that that gears engage fully.

CAUTION: ALWAYS ensure that the machine is fully stopped before attempting to change gears! NEVER change gears on a running machine!

OPERATION-GENERAL

WARNING: Always ensure that the magnet is adhered properly to the work piece before beginning drilling.

NOTE: If mounting to a curved surface beam, mount the machine parallel to the curve in the work piece.

WARNING: Avoid operating at more than 90 degrees from horizontal. When drilling at such an angle take precautions to prevent cutting coolant from entering the motor. Paste-type coolant should be used.

1. First fit cutting tool into arbor and line up with intended center of cut. Then switch magnet on.
2. Press green motor on button to start motor. Use the crank handle to feed to work. Always use very light pressure when beginning the cut and just as the tool is breaking through. The crank handle offers tremendous leverage; so do not use too much force. Allow the cutting tool to determine the pace. With experience, the operator will be able to determine the best pace to feed to the work. There should be some degree of audible slowing of the motor but not bogging in the cut. Correct cutting speed with a properly sharp annular cutter will produce long unbroken chips, which produce a "bird's" nest shaped bundle of chips around the cut.



NOTE: Always ensure that the cutting tool is sharp. A dull cutter typically will have finer and/or choppy shavings.

WARNING: ALWAYS clear chips when there is too much build-up. Excessive chip build-up could result in a jammed cutter or other hazardous situation.

WARNING: the slug ejects at end of cut and is very hot. Always provide a method of catching the slug, where the ejected slug may cause injury to people below.

Note: Lock the slide lock on the side of the machine in the fully raised position when at rest to prevent the slide from accidentally slamming down - remember to unlock it again before commencing drilling.

CAUTION: Never attempt to cut half-circles or to stitch drill (drill overlapping holes) with a TCT cutter. This may destroy the cutter.

CAUTION: Never attempt to re enter a half-finished cut if the magnet has been turned off and the machine shifted in the interim. This may destroy the cutter.

TWIST DRILLING

If twist drilling is desired, the arbor support bracket must be removed by removing the three socket-head bolts. Then an optional chuck adaptor arbor and chuck must be fitted. Follow the special instructions below to replace the arbor support bracket. (For 1 speed & 2 speed model only).

Arbor support bracket replacement

1. Replace arbor support bracket and screw in the 3 hex head bolts finger tight only (ensure that the needle bearing is clean and adequately greased.)
2. Replace the annular cutter arbor.

WARNING: use extreme care to avoid contacting the rotating arbor shaft!

3. Double check to ensure that there is no binding anywhere throughout the stroke.
4. Tighten the 3 bolts.



MAINTENANCE

Every 50 hours of operation blow compressed air through the motor while running at no load to clean out accumulated dust. (If operating in especially dusty conditions, perform this operation more often.)

1. Keep the machine clean and free of chips.
2. Check for loose fittings and tighten as needed.
3. Ensure that the ventilation slots are clear so that motor can be cooled normally. Blow low-pressure compressed air through the ventilation slots with the motor running to keep motor clean.

THE ARBOR SHAFT

Keep the arbor shaft free of dirt and lightly grease as needed. If the arbor support bearing is noisy, it may be dirty or have a chip lodged in it. Remove the arbor shaft to clean and re-grease the arbor support bearing.

THE GIBS (DOVETAIL SLIDES)

The gibes require adjustment if too loose. To adjust, loosen the lock nuts and adjust the adjustor screws evenly while moving the handle up and down. Adjust so that there is no free play, yet any binding anywhere in its range of travel. Then retighten the lock nuts. Periodically check, lubricate, and adjust as needed.



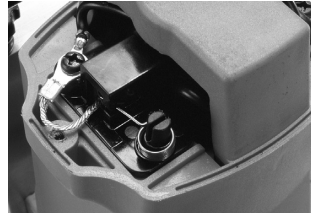
THE CARBON BRUSHES

The carbon brushes are a normal wearing part and must be replaced when they reach their wear limit.

Caution: Always replace the brushes as a pair.

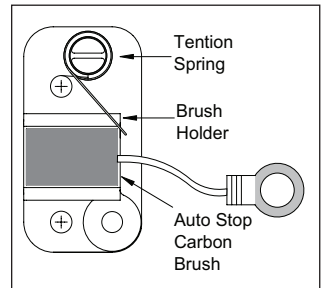
To replace

1. Remove the 4 screws and remove the motor tail cover.
2. Using pliers rotate the brush spring out of the way and slide the old carbon brush out of the brush holder.
3. Unscrew the screw to remove the brush lead. The old carbon brush may now be lifted away.
4. Install a new brush. Installation is the reverse of removal.
5. Replace the motor tail cover.



AUTO STOP CARBON BRUSH

Due to the new auto stop carbon brush if the machine comes to a stop without any reason, the brushes have to be checked. The auto feature stops the machine before the carbon brushes are finished and protects the motor.



MAGNET TROUBLESHOOTING

Full magnet performance is absolutely essential for magnetic drill operation.

If the magnet works, but does not hold well, it is likely that one of the coils has failed. If the magnet does not work at all, it is likely to be a failed rectifier. (It is highly unlikely that both magnet coils would fail at the same time)

NOTE: A faulty magnet coil can also damage the rectifier, so whenever there is a magnet problem, BOTH the magnet coils and rectifier must be checked.

WARNING: Never attempt to operate a magnetic drill with a faulty magnet!

CHECKING THE MAGNET (qualified technicians only)

If the magnet is not working well, it must be checked. Separate the wires of each individual coil and test the resistance of each coil separately. (note that 110V models are wired in parallel and 230V models are wired in series) The resistance of the coils of different sizes of magnets varies, but it should be in the region of hundreds of ohms. Most importantly, both coils must have very nearly the same resistance. If one of the coils has zero resistance, it means that it is shorted. If one of the coils has infinite resistance, it means that the circuit is broken. If either coil has a problem, the magnet must be replaced. A faulty magnet may also cause damage to the rectifier. Also check the rectifier when replacing a faulty magnet. (see below)

CHECKING THE RECTIFIER (Qualified technicians only)

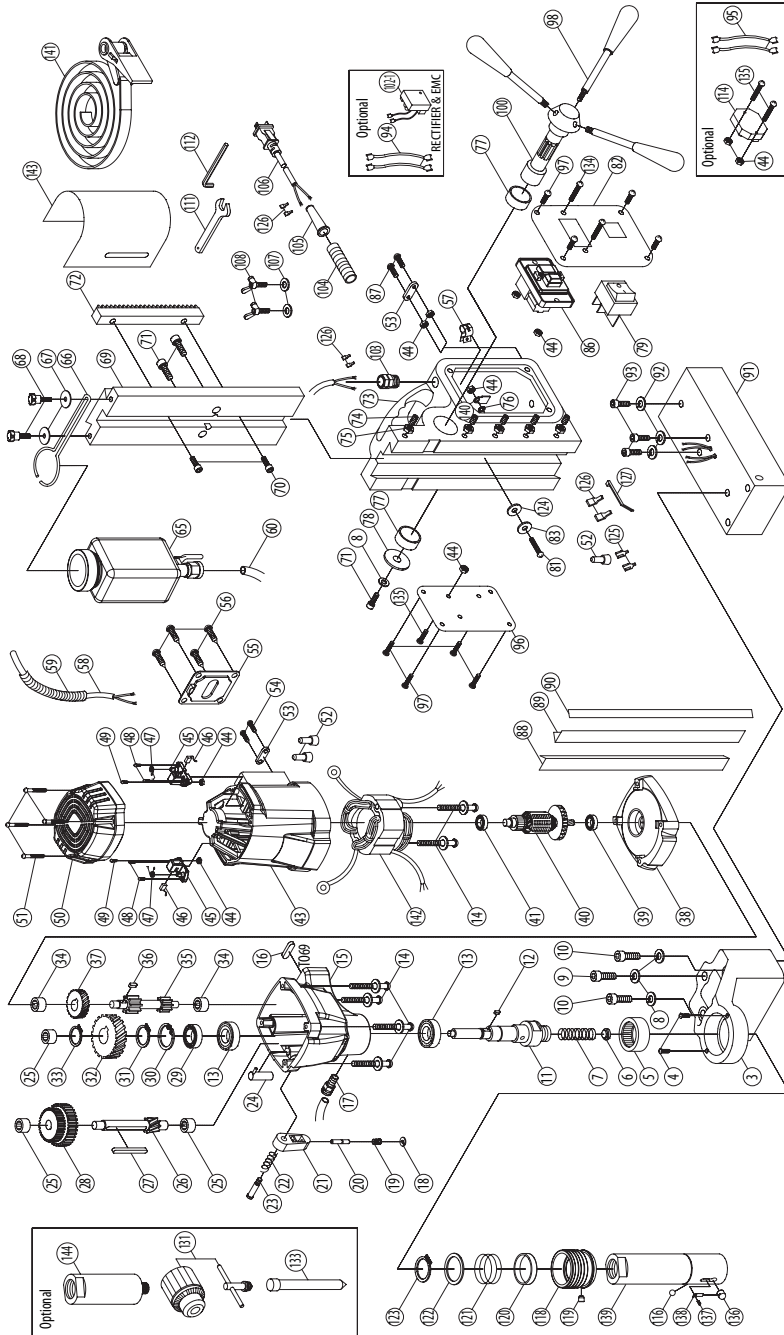
The rectifier takes the AC household current and converts it to DC to power the magnet. If it fails, the magnet coils will not receive power.

Disconnect the rectifier and test the resistance of both circuits of the rectifier between the AC and the DC sides. Note that polarity matters, so you can only take a reading if test probes are oriented correctly. Each side will be the opposite of the other. Both circuits should have very nearly the same resistance reading. If one of the circuits has zero resistance, it means that it is shorted. If one of the circuits has infinite resistance, it means that the circuit is broken.

If the replacement of the power supply cord is necessary, this has to be done by the manufacturer or their agent in order to avoid a safety hazard.

WARNING: All repairs must be entrusted to an authorized service center. Incorrectly performed repairs could lead to injury or death.

System Exploded View



NO.01~144 Version 2022.05.20 D.888

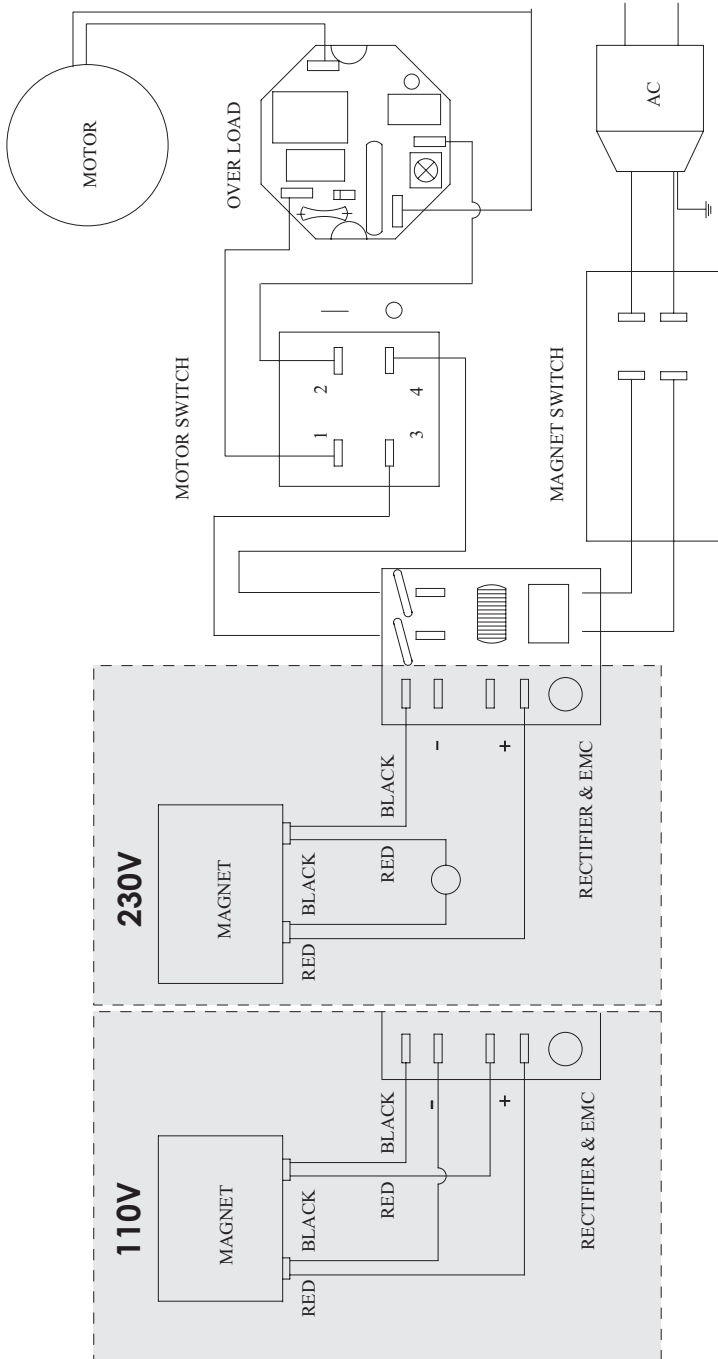
Parts list

NO.	Parts Name	Q'TY	NO.	Parts Name	Q'TY
3	ARBOR SUPPORT BRACKET	1	47	BRUSH SPRING (0.4x4x3.5T)	2
4	TRUSS HEAD MACHINE SCREW (M4x6xP0.7)	2	48	PANHEAD TAPPING SCREW (M4x12)	4
5	NEEDLE BEARING (HK 3516)	1	49	PANHEAD MACHINE SCREW (M4x10xP0.7)	2
6	WATER SEAL (Ø16x16)	1	50	MOTOR TAIL CASTING	1
7	SPRING (Ø1.5xØ13.3xØ16.3x19Tx172L)	1	51	PANHEAD TAPPING SCREW (M4x20)	4
8	SPRING WASHER (M8)	4	52	CRIMP CAP CONNECTOR (C4)	3
9	SOCKET CAP SCREW (M8x60xP1.25)	1	53	CABLE CLIP	2
10	SOCKET CAP SCREW (M8x70xP1.25)	2	54	PANHEAD TAPPING SCREW (M4x16)	2
11	SPINDLE (M27-159.6MM)	1	55	MOTOR COVER PLATE	1
12	PARALLEL KEY (5x5x12)	1	56	FLAT HEAD TAPPING SCREW-C (M5x10)	4
13	OIL SEAL (Ø22xØ37x7)	2	57	CABLE CLAMP	1
14	PANHEAD TAPPING SCREW (M5x60)	6	58	WIRE (2.0x2Cx90CM-SJTW)	1
15	GEAR HOUSING	1	59	CABLE PROTECTOR (3/8"x50CM)	1
16	PARALLEL KEY (4x4x30)	1	60	TUBE (Ø4xØ6x30CM)	1
17	PUSH LOCK FITTING (PT1/8"xØ6)	1	65	COOLANT TANK ASSEMBLY	1
18	E-CLIP (E-3)	1	66	COOLANT TANK BRACKET	1
19	SPRING (Ø0.6xØ5.3xØ6.5x17Lx5T)	1	67	FLAT WASHER (Ø5xØ12x1)	2
20	DETENT PIN (Ø5x22.5)	1	68	THUMB SCREW (M5x16)	2
21	SELECTOR TAB	1	69	SLIDE PLATE (L375MM)	1
22	SPRING (Ø1xØ9xØ11x11Lx4T)	1	70	SOCKET CAP SCREW (M8x20xP1.25)	2
23	SHOULDER SCREW	1	71	SOCKET CAP SCREW-PARTIAL THREAD (M8-1.25 x 16)	3
24	SELECTOR FORK (Ø12x28 / Ø4x16)	1	72	GEAR RACK (M2.0x170L)	1
25	NEEDLE BEARING (HK 1010)	3	73	STAND BODY	1
26	COUNTERSHAFT (M1.25x10T)	1	74	SOCKET SET SCREW (M5x25xP0.8)	5
27	PARALLEL KEY (5x5x50)	1	75	HEX NUT (M5xP0.8)	5
28	LAY GEAR (M1.25x30Tx33T)	1	76	EXTERNAL STAR WASHER (M5)	1
29	BALL BEARING (6204)	1	77	BUSHING (Ø32xØ38x12)	2
30	INTERNAL CIRCLIP (R-47)	1	78	FLAT WASHER (Ø8xØ40x2.5)	1
31	EXTERNAL CIRCLIP (S-20)	1	79	MAGNET SWITCH (110V&220V)	1
32	IDLER GEAR (M1.25x39T)	1	81	PANHEAD MACHINE SCREW (M4x16xP0.7)	1
33	EXTERNAL CIRCLIP (S-15)	1	82	SWITCH PANEL (130.5x90.5x1.5T)	1
34	NEEDLE BEARING (HK 0810)	2	83	FLAT WASHER (Ø4xØ10x1)	1
35	INPUT SHAFT (M1.25x10Tx13T)	1	86	MOTOR SWITCH (220V)	1
36	PARALLEL KEY (5x5x8)	1	87	PANHEAD MACHINE SCREW (M4x30xP0.7)	2
37	INPUT GEAR (M1.0x29T)	1	88	GIB STRIP-LEFT (308MM)	1
38	GEAR PLATE	1	89	GIB STRIP-RIGHT (308MM)	1
39	BALL BEARING (6202)	1	90	GIB TENSIONER (308x15x1.2T)	1
40	ARMATURE (220V-94x54x45)	1	91	ELECTROMAGNET (200x100x68)	1
41	BALL BEARING (6200)	1	92	SPRING WASHER (M6)	3
43	MOTOR HOUSING	1	93	SOCKET CAP SCREW (M6x20xP1.0)	3
44	HEX NUT (M4xP0.7)	10	94	WIRE LEAD (1015-16#18CM)	2
45	BRUSH HOLDER (7x17)	2	95	WIRE LEAD (1015-16#18CM)	2
46	CARBON BRUSH (7x17x17)	2	96	SIDE PANEL (130.5x90.5x1.5T)	1

Parts list

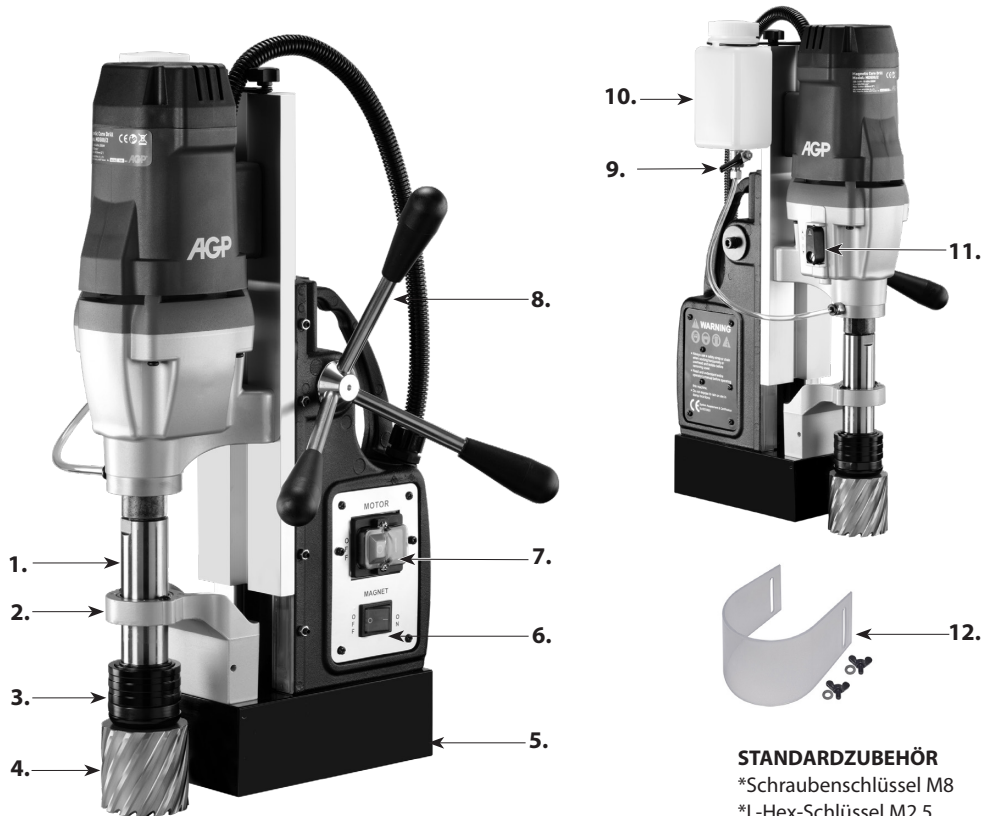
NO.	Parts Name	Q'TY	NO.	Parts Name	Q'TY
97	PANHEAD MACHINE SCREW (M4x8xP0.7)	8	124	RUBBER WASHER (Ø4xØ11x1)	1
98	CRANK HANDLE	3	125	FEMALE SPADE TERMINAL	2
100	CRANK SPINDLE (Ø32)	1	126	SPADE TERMINAL BOOT	6
102-1.)	RECTIFIER & EMC (110V&220V)	1	127	ZIP TIE (2.5x100MM)	1
103	CABLE GLAND (3/8")	1	131	CHUCK (5/8")	1
104	CABLE PROTECTOR (5/16"x7CM)	1	133	PILOT PIN (HSSx77LxØ6.34)/(HSSx103LxØ6.34)	1
105	CORD ARMOR	1	133	PILOT PIN (TCTx90LxØ7.98)/(TCTx90LxØ6.34)	1
106	POWER SUPPLY CABLE (VDE-1.5x3Cx3.5M-H05VVF)	1	133	PILOT PIN (TCTx106LxØ6.34)/(TCTx108LxØ7.98)	1
107	FLAT WASHER (Ø6xØ13x1)	2	134	PANHEAD MACHINE SCREW (M4x20xP0.7)	2
108	BUTTERFLY SCREW (M6x10xP1.0)	2	135	PANHEAD MACHINE SCREW (M4x25xP0.7)	3
111	WRENCH (M8)	1	136	LOCK PIN (12.3MM)	1
112	HEX KEY (M2.5)	1	137	PANHEAD MACHINE SCREW (M3x4xP0.5)	1
114	OVER LOAD PROTECTION (220V)	1	138	LOCK PIN SPRING	1
116	CHECK BALL (Ø8)	1	139	QUICK RELEASE ARBOR SHAFT (M27-152.5L)	1
118	QUICK-RELEASE COLLAR	1	140	EARTHING MARKING	1
119	COLLAR PIN (Ø8)	1	141	SAFETY BELT	1
120	RING (Ø40xØ44x9)	1	142	STATOR (220V-94x54x45)	1
121	SPRING (Ø2.3xØ39xØ43.6x3Tx30L)	1	143	CHIP GUARD	1
122	SPRING SEAT RING (Ø35.1xØ44.5x2)	1	144	CHUCK ADAPTOR (M27 / 5/8")	1
123	EXTERNAL CIRCLIP (S-35)	1			

WIRING



TECHNISCHE DATEN

Leistungsaufnahme	2 000 W (220-240 V), 1 700 W (110-120 V)	
Spannung	Siehe Typenschild der Maschine	
Keine/Volllast Min ⁻¹	Geschwindigkeit 1	380 / 230
	Geschwindigkeit 2	550 / 330
Kapazität	Ø x Schnitttiefe (Ringschneider)	65 x 75 mm (2-9/16" x 3")
	Ø Spiralbohrer	≤ 16 mm (5/8") Schaft
	Schlaganfall	115 mm (4-1/2")
Magnetische Haftung	32 000 N	
Nettogewicht	21,1 kg (46,5 lb)	



- 1. Spindel
- 2. Halterung für Arbor
- 3. Quick-Release-Halsband
- 4. Ringschneider & Pilot Pin nicht enthalten)
- 5. Magnet Basis
- 6. Magnetschalter

- 7. Motorschalter
- 8. Handkurbel
- 9. Kühlmittelzulaufhahn
- 10. Kühlmitteltank
- 11. Getriebewahlschalter
- 12. Spanschut-Kit

STANDARDZUBEHÖR

- *Schraubenschlüssel M8
- *L-Hex-Schlüssel M2.5
- *L-Hex-Schlüssel M4
- * Spanschut-Kit
- * Kühlmittel-tank-Kit
- * Sicherheitsgurt

OPTIONALES ZUBEHÖR

- * Spann-futter-Adapter
- * 16 mm (5/8") Bohrer-futter und Schlüssel

ALLGEMEINE SICHERHEITSHINWEISE FÜR ELEKTROWERKZEUGE



WARNUNG Lesen Sie alle Sicherheitshinweise, Anweisungen, Abbildungen und Spezifikationen, die diesem Elektrowerkzeug beiliegen. Die Nichtbeachtung aller unten aufgeführten Anweisungen kann zu einem elektrischen Schlag, Brand und/oder schweren Verletzungen führen.

Bewahren Sie alle Warnhinweise und Anweisungen zum späteren Nachschlagen auf.

Der Begriff "Elektrowerkzeug" in den Warnhinweisen bezieht sich auf Ihr netzbetriebenes (kabelgebundenes) Elektrowerkzeug oder Ihr batteriebetriebenes (schnurloses) Elektrowerkzeug.

1) SICHERHEIT IM ARBEITSBEREICH

- a. **Halten Sie den Arbeitsbereich sauber und gut beleuchtet.** Unaufgeräumte oder dunkle Bereiche laden zu Unfällen ein.
- b. **Betreiben Sie Elektrowerkzeuge nicht in explosionsgefährdeten Bereichen, z. B. in Gegenwart von brennbaren Flüssigkeiten, Gasen oder Staub.** Elektrowerkzeuge erzeugen Funken, die den Staub oder die Dämpfe entzünden können.
- c. **Halten Sie Kinder und Unbeteiligte fern, während Sie ein Elektrowerkzeug bedienen.** Ablenkungen können dazu führen, dass Sie die Kontrolle verlieren.

2) ELEKTRISCHE SICHERHEIT

- a. **Die Stecker von Elektrowerkzeugen müssen zur Steckdose passen. Verändern Sie niemals den Stecker in irgendeiner Weise. Verwenden Sie keine Adapterstecker mit geerdeten Elektrowerkzeugen.** Unveränderte Stecker und passende Steckdosen verringern das Risiko eines Stromschlags.
- b. **Vermeiden Sie Körperkontakt mit geerdeten Oberflächen wie Rohren, Heizkörpern, Herden und Kühlschränken.** Es besteht ein erhöhtes Risiko eines Stromschlags, wenn Ihr Körper geerdet ist.
- c. **Setzen Sie Elektrowerkzeuge nicht Regen oder Nässe aus.** Wenn Wasser in ein Elektrowerkzeug eindringt, erhöht sich das Risiko eines Stromschlags.
- d. **Missbrauchen Sie das Kabel nicht. Verwenden Sie das Kabel niemals zum Tragen, Ziehen oder Ausstecken des Elektrowerkzeugs.** Halten Sie das Kabel von Hitze, Öl, scharfen Kanten oder beweglichen Teilen fern. Beschädigte oder verwickelte Kabel erhöhen das Risiko eines Stromschlags.
- e. **Wenn Sie ein Elektrowerkzeug im Freien betreiben, verwenden Sie ein für den Außeneinsatz geeignetes Verlängerungskabel.** Die Verwendung eines für den Außenbereich geeigneten Kabels verringert das Risiko eines Stromschlags.
- f. **Wenn der Betrieb eines Elektrowerkzeugs in einer feuchten Umgebung unvermeidlich ist, verwenden Sie eine durch einen Fehlerstromschutzschalter (RCD) geschützte Stromversorgung.** Die Verwendung eines FI-Schutzschalters verringert das Risiko eines Stromschlags.

3) PERSÖNLICHE SICHERHEIT

- a. **Bleiben Sie wachsam, passen Sie auf, was Sie tun, und benutzen Sie Ihren gesunden Menschenverstand, wenn Sie ein Elektrowerkzeug bedienen. Verwenden Sie ein Elektrowerkzeug nicht, wenn Sie müde sind oder unter dem Einfluss von Drogen, Alkohol oder Medikamenten stehen.** Ein Moment der Unaufmerksamkeit bei der Bedienung von Elektrowerkzeugen kann zu schweren Verletzungen führen.
- b. **Persönliche Schutzausrüstung verwenden. Tragen Sie immer einen Augenschutz.** Schutzausrüstung wie z. B. eine Staubmaske, rutschfeste Sicherheitsschuhe, Schutzhelm oder Gehörschutz, die unter geeigneten Bedingungen verwendet werden, verringern die Zahl der Personenschäden.

- c. **Verhindern Sie ein unbeabsichtigtes Starten. Vergewissern Sie sich, dass der Schalter ausgeschaltet ist, bevor Sie das Werkzeug an die Stromquelle und/oder den Akku anschließen, es in die Hand nehmen oder tragen.** Das Tragen von Elektrowerkzeugen mit dem Finger auf dem Schalter oder das Einschalten von Elektrowerkzeugen, bei denen der Schalter eingeschaltet ist, lädt zu Unfällen ein.
- d. **Ziehen Sie vor dem Einschalten des Elektrowerkzeugs alle Einstellschlüssel oder Schlüssel ab.** Ein Schlüssel, der an einem rotierenden Teil des Elektrowerkzeugs verbleibt, kann zu Verletzungen führen.
- e. **Greifen Sie nicht zu weit vor. Halten Sie stets einen sicheren Stand und das Gleichgewicht.** Dies ermöglicht eine bessere Kontrolle des Elektrowerkzeugs in unerwarteten Situationen.
- f. **Kleiden Sie sich angemessen. Tragen Sie keine weite Kleidung und keinen Schmuck. Halten Sie Ihre Haare und Kleidung von beweglichen Teilen fern.** Lose Kleidung, Schmuck oder lange Haare können sich in beweglichen Teilen verfangen.
- g. **Wenn Vorrichtungen für den Anschluss von Staubabsaug- und -sammelanlagen vorhanden sind, stellen Sie sicher, dass diese angeschlossen und ordnungsgemäß verwendet werden.** Die Verwendung einer Staubabsaugung kann staubbedingte Gefahren verringern.
- h. **Lassen Sie nicht zu, dass die durch häufigen Gebrauch von Werkzeugen gewonnene Vertrautheit dazu führt, dass Sie selbstgefällig werden und die Grundsätze der Werkzeugsicherheit ignorieren.** Eine unvorsichtige Handlung kann im Bruchteil einer Sekunde zu schweren Verletzungen führen.

4) EINSATZ UND PFLEGE VON ELEKTROWERKZEUGEN

- a. **Setzen Sie das Elektrowerkzeug nicht mit Gewalt ein. Verwenden Sie das richtige Elektrowerkzeug für Ihre Anwendung.** Das richtige Elektrowerkzeug erledigt die Arbeit besser und sicherer mit der Geschwindigkeit, für die es entwickelt wurde.
- b. **Benutzen Sie das Elektrowerkzeug nicht, wenn es sich mit dem Schalter nicht ein- und ausschalten lässt.** Jedes Elektrowerkzeug, das sich nicht mit dem Schalter steuern lässt, ist gefährlich und muss repariert werden.
- c. **Ziehen Sie den Stecker von der Stromquelle ab und/oder entfernen Sie den Akku, falls er abnehmbar ist, aus dem Elektrowerkzeug, bevor Sie Einstellungen vornehmen, Zubehörteile wechseln oder das Elektrowerkzeug lagern.** Solche vorbeugenden Sicherheitsmaßnahmen verringern das Risiko einer unbeabsichtigten Inbetriebnahme des Elektrowerkzeugs.
- d. **Bewahren Sie ungenutzte Elektrowerkzeuge außerhalb der Reichweite von Kindern auf und erlauben Sie Personen, die mit dem Elektrowerkzeug oder dieser Anleitung nicht vertraut sind, nicht, das Elektrowerkzeug zu bedienen.** Elektrowerkzeuge sind in den Händen von ungeschulten Benutzern gefährlich.
- e. **Pflegen Sie Elektrowerkzeuge und Zubehör. Prüfen Sie, ob bewegliche Teile falsch ausgerichtet sind oder klemmen, ob Teile gebrochen sind und ob andere Bedingungen vorliegen, die den Betrieb des Elektrowerkzeugs beeinträchtigen könnten. Lassen Sie das Elektrowerkzeug bei Beschädigungen vor der Verwendung reparieren.** Viele Unfälle werden durch schlecht gewartete Elektrowerkzeuge verursacht.
- f. **Halten Sie die Schneidwerkzeuge scharf und sauber.** Ordnungsgemäß gewartete Schneidwerkzeuge mit scharfen Schneidkanten verkleben sich seltener und sind leichter zu kontrollieren.
- g. **Verwenden Sie das Elektrowerkzeug, das Zubehör und die Bits usw. gemäß dieser Anleitung und unter Berücksichtigung der Arbeitsbedingungen und der auszuführenden Arbeiten.** Die Verwendung des Elektrowerkzeugs für andere als die vorgesehenen Arbeiten kann zu einer gefährlichen Situation führen.
- h. **Halten Sie Griffe und Greifflächen trocken, sauber und frei von Öl und Fett.** Rutschige Griffe und Griffflächen ermöglichen keine sichere Handhabung und Kontrolle des Werkzeugs in unerwarteten Situationen.

5) DIENST

Lassen Sie Ihr Elektrowerkzeug von einem qualifizierten Reparaturmann warten, der nur identische Ersatzteile verwendet. Dadurch wird sichergestellt, dass die Sicherheit des Elektrowerkzeugs erhalten bleibt.

In dieser Betriebsanleitung verwendete Symbole

V.....Volt

A.....Ampere

Hz.....Hertz

W.....Watt

~.....Wechselstrom

nNennzahl

min⁻¹.....Umdrehungen oder
Zykluszahl pro Minute



.....Warnung vor allgemeiner Gefahr



.....mit elektrischer Erde



.....Diese Betriebsanleitung lesen



.....Stets Augenschutz tragen



.....Stets eine Atemschutzmaske tragen



..... Stets Gehörschutz tragen



..... Schutzhelm tragen



Elektrowerkzeuge, Zubehör und Verpackung dürfen nicht mit dem Hausmüll entsorgt werden.

DIE IM HANDBUCH VERWENDETE TERMINOLOGIE

- 1. Warnung:** Dieser Begriff bedeutet, dass die Gefahr besteht, dass der Bediener oder Personen in der Nähe körperlich verletzt oder getötet werden.
- 2. Vorsicht:** Dieser Begriff bedeutet, dass die Gefahr einer Beschädigung der Maschine, des Schneidwerkzeugs oder anderer Geräte besteht.
- 3. Hinweis:** Diese Begriffe bieten nützliche Informationen über den Betrieb oder die Wartung der Maschine.

SICHERHEITSWARNUNGEN FÜR BOHRER

- a. Die Bohrmaschine muss gesichert werden.** Ein nicht ordnungsgemäß gesicherter Bohrer kann sich bewegen oder umkippen, was zu Verletzungen führen kann.
- b. Das Werkstück muss eingespannt oder an der Werkstückauflage befestigt werden.** Bohren Sie keine Werkstücke, die zu klein sind, um sicher eingespannt zu werden. Das Halten des Werkstücks mit der Hand während des Betriebs kann zu Verletzungen führen.
- c. Tragen Sie keine Handschuhe.** Die Handschuhe können sich in den rotierenden Teilen oder Spänen verfangen und zu Verletzungen führen.
- d. Halten Sie Ihre Hände aus dem Bohrbereich fern, während das Werkzeug läuft.** Der Kontakt mit rotierenden Teilen oder Spänen kann zu Verletzungen führen.
- e. Stellen Sie sicher, dass sich das Zubehörteil dreht, bevor Sie es in das Werkstück einführen.** Andernfalls kann sich das Zubehör im Werkstück verkeilen, was zu unerwarteten Bewegungen des Werkstücks und zu Verletzungen führen kann.
- f. Wenn das Zubehörteil klemmt, hören Sie auf, Druck nach unten auszuüben und schalten Sie das Werkzeug aus. Untersuchen Sie die Ursache der Verklemmung und ergreifen Sie entsprechende Maßnahmen, um sie zu beseitigen.** Eine Verklemmung kann zu unerwarteten Bewegungen des

Werkstücks und zu Verletzungen führen.

- g. Vermeiden Sie die Entstehung langer Späne, indem Sie den Druck nach unten regelmäßig unterbrechen.** Scharfe Metallspäne können sich verfangen und zu Verletzungen führen.
- h. Entfernen Sie niemals Späne aus dem Bohrbereich, während das Werkzeug läuft.** Um Späne zu entfernen, entfernen Sie das Zubehör vom Werkstück, schalten Sie das Werkzeug aus und warten Sie, bis sich das Zubehör nicht mehr bewegt. Verwenden Sie zum Entfernen von Spänen Werkzeuge wie eine Bürste oder einen Haken. Der Kontakt mit rotierenden Teilen oder Spänen kann zu Verletzungen führen.
- i. Zubehörteile mit Drehzahlangaben müssen mindestens für die auf dem Elektrowerkzeug angegebene Höchstdrehzahl ausgelegt sein.** Zubehörteile, die schneller als ihre Nenndrehzahl laufen, können brechen und auseinanderfliegen.
- j. Verwenden Sie immer den Spanschutzsatz.**

MAGNETBOHRER-SPEZIFISCHE SICHERHEITSWARNUNGEN UND VORSICHTSHINWEISE

- a. Verwenden Sie immer eine Sicherheitsgurt.** Die Befestigung kann sich lösen.
- b. WARNUNG: Halten Sie sich während des Betriebs nur an den Kurbeln fest, nicht an anderen Teilen der Maschine.** Wenn Sie die Hand auf das Gerät legen, kann es zu einem Stromschlag kommen, wenn es zu einem Spannungsabfall kommt oder wenn das Gerät sein eigenes Stromkabel durchtrennt.
- c. Vergewissern Sie sich immer, dass das Werkstück mindestens 12 mm (7/16 Zoll) dick ist. Ist dies nicht der Fall, verwenden Sie ein Stück Stahlblech, das mindestens 12 mm dick und größer als der Magnet ist, unter dem Werkstück, um die magnetische Haftung zu verstärken.** Die Haftkraft des Magneten hängt von der Dicke des Werkstücks ab.
- d. Betreiben Sie die Maschine nicht auf einem Werkstück, während es geschweißt wird.** Dies kann zu Schäden an der Maschine und/oder zu Personenschäden führen.
- e. Positionieren Sie die Maschine niemals auf einem Werkstück zwischen der Elektrode und der Masse eines Lichtbogenschweißgeräts.** Der Strom des Schweißgeräts wird durch den Erdungsdraht im Stromversorgungskabel der Maschine geerdet und kann diese beschädigen.
- f. Überschreiten Sie nicht den Winkel von 90 Grad zur Horizontalen.** Es ist gefährlich, den Bohrer verkehrt herum zu verwenden.
- g. Achten Sie stets darauf, dass der Magnet sauber und frei von Rost und Zunder ist.** Metallspäne und andere Verunreinigungen beeinträchtigen die magnetische Haftung.
- h. Verwenden Sie das Gerät immer allein an der Steckdose.** Andere Geräte, die an derselben Steckdose verwendet werden, können ungleiche Spannungen verursachen, die dazu führen können, dass sich der Magnet löst.
- i. Vergewissern Sie sich, dass der Magnet richtig am Werkstück haftet, bevor Sie mit dem Bohren beginnen.** Die korrekte Haftung des Magneten ist für sicheres Bohren unerlässlich.
- j. Verwenden Sie beim Bohren von nicht-eisenhaltigen (nicht-magnetischen) Werkstoffen nur eine vom Hersteller zugelassene Vorrichtung, wie z. B. einen Saugfußadapter.** Die Verwendung von Zubehör, das nicht vom Hersteller zugelassen ist, kann zu einer gefährlichen Situation führen.
- k. Arbeiten Sie nicht mit stumpfen oder beschädigten Schneidwerkzeugen.** Dadurch kann der Motor überlastet werden.
- l. Vermeiden Sie den Betrieb von Ringschneidern ohne Schneidflüssigkeit.** Prüfen Sie vor dem Betrieb immer den Flüssigkeitsstand. Ringschneider benötigen für den ordnungsgemäßen Betrieb und eine lange Lebensdauer Schneidflüssigkeit.
- m. Schützen Sie den Motor. Lassen Sie niemals Schneidflüssigkeit, Wasser oder andere Verunreinigungen in den Motor eindringen.** Dies könnte zu einem Stromschlag oder Motorschaden führen.
- n. Halten Sie beim Bohren von gestapelten Werkstoffen immer an, um das Bohrloch zu räumen, nachdem die erste Schicht gebohrt wurde.** Das lockere Geschoss behindert das richtige Bohren.

- o. ACHTUNG: Versuchen Sie niemals, das Gerät mit falscher Stromstärke oder ungewöhnlich niedriger Spannung zu betreiben.** Falsche Spannung kann zu Motorschäden führen.
- p. Dieses Gerät ist nicht für den Einsatz in der Produktion vorgesehen.**

ARBEITSZYKLUS DER MAGNETBASIS

Lassen Sie den Magnetfuß nicht länger als 60 Minuten ununterbrochen eingeschaltet. Wenn der Magnetfuß überhitzt ist, lassen Sie ihn 30 Minuten lang abkühlen, bevor Sie fortfahren.

ACHTUNG: Schalten Sie den Magnetfuß aus, wenn Sie ihn nicht benutzen. Wenn Sie den Magnetfuß ständig eingeschaltet lassen, wird er beschädigt.

MONTAGE

Montage des Kühlmittelbehälters erforderlich. Befestigen Sie zunächst den durchsichtigen Schlauch an der Unterseite des Kühlmittelbehälters. Lösen Sie dazu zunächst die Mutter und schieben Sie die Mutter auf den Schlauch. Schieben Sie dann den Schlauch auf den Nippel. Ziehen Sie dann die Mutter fest. Schieben Sie die Aufhängung des Tanks über die Schraube auf der oberen rechten Seite des Schlittens und ziehen Sie sie fest. Zum Schluss das andere Ende des Schlauchs in die Schnellkupplung im Getriebe einführen. **(Zum Entfernen drücken Sie zunächst fest auf den roten Kragen des Anschlusses und ziehen den Schlauch heraus).** Bei der Verwendung von Ringschneidern ist immer Kühlflüssigkeit erforderlich. Tankdeckel öffnen und auffüllen. Prüfen Sie den Kühlflüssigkeitsstand häufig. Halten Sie den Kühlmittelhahn geschlossen, wenn er nicht benutzt wird.

Es muss ein Späneschutz verwendet werden. Verwenden Sie zur Befestigung des Späneschutzes die mitgelieferten Schmetterlingsschrauben, um den Magneten anzuschrauben.

Es ist nicht notwendig, den Schutz zu entfernen, um die Späne zu reinigen. Heben Sie den Schutz einfach in seine obere Position.

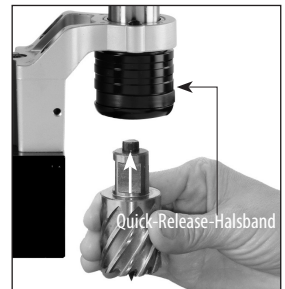
Es muss ein Sicherheitsgurt verwendet werden. Legen Sie den Gurt um das Werkstück, führen Sie den Gurt durch den Griff des Elektrowerkzeugs und ziehen Sie den Gurt mit dem Ratschenmechanismus fest.

MONTAGE VON RINGSCHNEIDERN

ACHTUNG: Verwenden Sie niemals ein Schneidwerkzeug, das größer ist als die maximale Nennkapazität der Maschine.

Schnellspanndorn:

1. Drücken Sie den Schnellspannring nach oben, um ihn zu öffnen. Setzen Sie das Messer mit dem Führungsstift ein und drehen Sie das Messer, bis seine Abflachung auf den Sicherungsstift trifft. Wenn die Abflachung auf den Verriegelungsstift trifft, schnappt die Manschette nach unten und verriegelt sich selbst. Überprüfen Sie noch einmal, ob er vollständig verriegelt ist.
2. Vergewissern Sie sich, dass der Ölzufuhrhahn aufgedreht ist und das Kühlmittel durch Drücken des Kontrollstifts richtig zugeführt wird. Wenn es zu schnell oder zu langsam fließt, stellen Sie den Hahn entsprechend ein. Halten Sie den Hahn geschlossen, wenn er nicht benutzt wird.



GETRIEBEAUSWAHL

Wählen Sie vor dem Bohren den gewünschten Gang, indem Sie zuerst auf den federbelasteten Schiebeschalter für die Gangwahl und schieben Sie dann den Wähler nach oben für hohe Geschwindigkeit oder nach unten für niedrige Geschwindigkeit. (Es kann notwendig sein, den Dorn leicht zu drehen, damit die Zahnräder richtig ineinandergreifen). Befolgen Sie die empfohlenen Geschwindigkeitsbereiche in der Tabelle für die Schnittgeschwindigkeit, um die richtige Geschwindigkeit und den richtigen Getriebebereich einzustellen.



2-GANG-GETRIEBETABELLE

GEAR	KEINE BELASTUNG min ⁻¹	VOLLE BELASTUNG min ⁻¹	SCHNEIDERGRÖSSE
1	380	230	40~65 mm (1-9/16" bis 2-9/16")
2	550	330	40 mm (1-9/16") oder weniger

HINWEIS: Diese Geschwindigkeiten sind nur allgemeine Empfehlungen. Die tatsächlichen Drehzahlen sollten durch das Material und die vom Hersteller des Schneidwerkzeugs empfohlene Schnittgeschwindigkeit bestimmt werden. Siehe den Abschnitt unten "EMPFOHLENE OBERFLÄCHENGESCHWINDIGKEITEN" und verwenden Sie die Formel, um die beste Drehzahl zu berechnen.

VORSICHT: Achten Sie darauf, dass die Gänge vollständig einrasten.

ACHTUNG: Vergewissern Sie sich **IMMER**, dass die Maschine vollständig angehalten wurde, bevor Sie versuchen, den Gang zu wechseln! Wechseln Sie **NIE** die Gänge bei laufender Maschine!

BETRIEB-ALLGEMEIN

WARNUNG: Vergewissern Sie sich immer, dass der Magnet richtig am Werkstück haftet, bevor Sie mit dem Bohren beginnen.

HINWEIS: Bei der Montage an einem gekrümmten Oberflächenträger muss die Maschine parallel zur Krümmung des Werkstücks montiert werden.

WARNUNG: Vermeiden Sie es, in einem Winkel von mehr als 90 Grad zur Horizontalen zu arbeiten. Wenn Sie in einem solchen Winkel bohren, treffen Sie Vorkehrungen, um zu verhindern, dass Kühlmittel in den Motor gelangt. Es sollte ein pastenförmiges Kühlmittel verwendet werden.

1. Setzen Sie zuerst das Schneidwerkzeug in den Dorn ein und richten Sie es auf die gewünschte Mitte des Schnitts aus. Dann den Magneten einschalten.
2. Drücken Sie die grüne Motoreinschalttaste, um den Motor zu starten. Benutzen Sie die Handkurbel, um das Werkzeug zu bewegen. Üben Sie zu Beginn des Schnitts und beim Durchbrechen des Werkzeugs immer nur sehr leichten Druck aus. Die Handkurbel bietet eine enorme Hebelwirkung; wenden Sie daher nicht zu viel Kraft an. Überlassen Sie es dem Schneidwerkzeug, das Tempo zu bestimmen. Mit etwas Erfahrung wird der Bediener in der Lage sein, die beste Vorschubgeschwindigkeit für das Werkstück zu

-DE-

bestimmen. Der Motor sollte bis zu einem gewissen Grad hörbar verlangsamt werden, ohne jedoch den Schnitt zu blockieren. Die richtige Schnittgeschwindigkeit mit einem richtig scharfen Ringschneider erzeugt lange, ungebrochene Späne, die ein "vogelnebstförmiges" Bündel von Spänen um den Schnitt herum bilden.



HINWEIS: Achten Sie immer darauf, dass das Schneidwerkzeug scharf ist. Ein stumpfer Fräser hat in der Regel feinere und/oder abgehackte Späne.

WARNUNG: Entfernen Sie IMMER die Späne, wenn sich zu viele Späne angesammelt haben. Ein übermäßiger Späneanfall kann zu einer Verklemmung des Messers oder anderen gefährlichen Situationen führen.

WARNUNG: Das Geschoss wird am Ende des Schnitts ausgeworfen und ist sehr heiß. Sorgen Sie immer dafür, dass das Geschoss aufgefangen wird, da das herausgeschleuderte Geschoss Verletzungen bei Personen unter Ihnen verursachen kann.

Hinweis: Verriegeln Sie die Schlittenverriegelung an der Seite der Maschine in der vollständig angehobenen Position im Ruhezustand, um ein versehentliches Herunterfallen des Schlittens zu verhindern - denken Sie daran, sie vor dem Bohren wieder zu entriegeln.

ACHTUNG: Versuchen Sie niemals, mit einem HM-Fräser Halbkreise zu schneiden oder Stichbohrungen (überlappende Bohrungen) vorzunehmen. Dies kann den Fräser zerstören.

VORSICHT: Versuchen Sie niemals, einen halbfertigen Schnitt erneut durchzuführen, wenn der Magnet ausgeschaltet und die Maschine in der Zwischenzeit verschoben wurde. Dadurch kann das Messer zerstört werden.

TWIST DRILLING

Wenn eine Spiralbohrung gewünscht wird, muss die Dornhalterung durch Entfernen der drei Innensechskant-Schrauben entfernt werden. Dann müssen ein optionaler Spannfutteradapterdorn und ein Spannfutter montiert werden. Befolgen Sie die nachstehenden speziellen Anweisungen zum Auswechseln der Dornhalterung. (Nur für Modelle mit 1 und 2 Geschwindigkeiten).



AUSTAUSCH DER DORNHALTERUNG

1. Setzen Sie die Dornhalterung wieder ein und schrauben Sie die 3 Sechskantschrauben nur handfest an (stellen Sie sicher, dass das Nadellager sauber und ausreichend gefettet ist).
2. Tauschen Sie den Ringschneiderdorn aus.



WARNUNG: Vermeiden Sie unbedingt einen Kontakt mit der sich drehenden Dornwelle!

3. Vergewissern Sie sich, dass der Hub nirgends klemmt.
4. Ziehen Sie die 3 Schrauben fest.

WARTUNG

Blasen Sie alle 50 Betriebsstunden Druckluft durch den Motor, während er ohne Last läuft, um den angesammelten Staub zu entfernen. (Bei Betrieb unter besonders staubigen Bedingungen ist dieser Vorgang häufiger durchzuführen).

1. Halten Sie die Maschine sauber und frei von Spänen.
2. Prüfen Sie, ob die Anschlüsse locker sind, und ziehen Sie sie bei Bedarf fest.
3. Stellen Sie sicher, dass die Lüftungsschlitze frei sind, damit der Motor normal gekühlt werden kann. Blasen Sie bei laufendem Motor Niederdruck-Druckluft durch die Lüftungsschlitze, um den Motor sauber zu halten.

DIE AUFSTECKWELLE

Halten Sie die Welle frei von Schmutz und fetten Sie sie bei Bedarf leicht ein. Wenn das Aufstecklager Geräusche macht, ist es möglicherweise verschmutzt oder ein Span hat sich darin festgesetzt. Entfernen Sie die Welle, um das Stützlager zu reinigen und neu zu fetten.

DIE KEILLEISTEN (SCHWALBENSCHWANZSCHLITTEN)

Die Keilleisten müssen eingestellt werden, wenn sie zu locker sind. Lösen Sie zum Einstellen die Kontermuttern und stellen Sie die Einstellschrauben gleichmäßig ein, während Sie den Griff auf und ab bewegen. Stellen Sie den Griff so ein, dass er kein Spiel hat, aber auch nicht klemmt, egal in welchem Bereich. Ziehen Sie dann die Kontermuttern wieder an. Überprüfen, schmieren und justieren Sie die Einstellung regelmäßig.



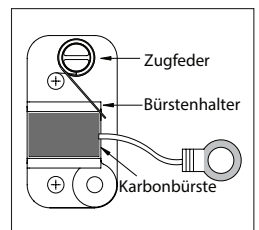
DIE KOHLEBÜRSTEN

Die Kohlebürsten sind ein normales Verschleißteil und müssen ersetzt werden, wenn sie ihre Verschleißgrenze erreicht haben.

Achtung! Ersetzen Sie die Bürsten immer als Paar.

Zum Auswechseln:

1. Entfernen Sie die 4 Schrauben und nehmen Sie die Motorhaube ab.
2. Drehen Sie mit einer Zange die Bürstenfeder aus dem Weg und schieben Sie die alte Kohlebürste aus dem Bürstenhalter.
3. Lösen Sie die Schraube, um das Bürstenkabel zu entfernen. Die alte Kohlebürste kann nun herausgehoben werden.
4. Setzen Sie eine neue Bürste ein. Der Einbau erfolgt in umgekehrter Reihenfolge wie der Ausbau.
5. Bringen Sie die Heckabdeckung des Motors wieder an.



AUTO-STOPP-KOHLEBÜRSTE

Dank der neuen Auto-Stopp-Kohlebürste müssen die Bürsten überprüft werden, wenn die Maschine ohne Grund zum Stillstand kommt. Die Auto-Stopp-Funktion stoppt die Maschine, bevor die Kohlebürsten fertig sind, und schützt den Motor.

MAGNET-FEHLERSUCHE

Die volle Leistung des Magneten ist für den Betrieb einer Magnetbohrmaschine absolut notwendig. Wenn der Magnet funktioniert, aber nicht gut hält, ist wahrscheinlich eine der Spulen ausgefallen. Wenn der Magnet überhaupt nicht funktioniert, ist wahrscheinlich ein Gleichrichter defekt. (Es ist höchst unwahrscheinlich, dass beide Magnetspulen gleichzeitig ausfallen).

HINWEIS: Eine fehlerhafte Magnetspule kann auch den Gleichrichter beschädigen. Wenn also ein Magnetproblem vorliegt, müssen BEIDE Magnetspulen und der Gleichrichter überprüft werden.

WARNUNG: Versuchen Sie niemals, eine Magnetbohrmaschine mit einem defekten Magneten zu betreiben!

PRÜFUNG DES MAGNETS (nur für qualifizierte Techniker)

Wenn der Magnet nicht gut funktioniert, muss er überprüft werden. Trennen Sie die Drähte jeder einzelnen Spule und prüfen Sie den Widerstand jeder Spule separat. (Beachten Sie, dass 110-Volt-Modelle parallel und 230-Volt-Modelle in Reihe verdrahtet sind) Der Widerstand der Spulen verschiedener Magnetgrößen variiert, sollte aber im Bereich von einigen hundert Ohm liegen. Am wichtigsten ist, dass beide Spulen nahezu den gleichen Widerstand haben müssen. Wenn eine der Spulen einen Widerstand von Null hat, bedeutet dies, dass sie kurzgeschlossen ist. Wenn eine der Spulen einen unendlichen Widerstand hat, bedeutet dies, dass der Stromkreis unterbrochen ist. Wenn eine der beiden Spulen ein Problem hat, muss der Magnet ausgetauscht werden. Ein defekter Magnet kann auch zu einer Beschädigung des Gleichrichters führen. Überprüfen Sie auch den Gleichrichter, wenn Sie einen defekten Magneten austauschen. (siehe unten)

PRÜFUNG DES RECTIFIERERS (nur für qualifizierte Techniker)

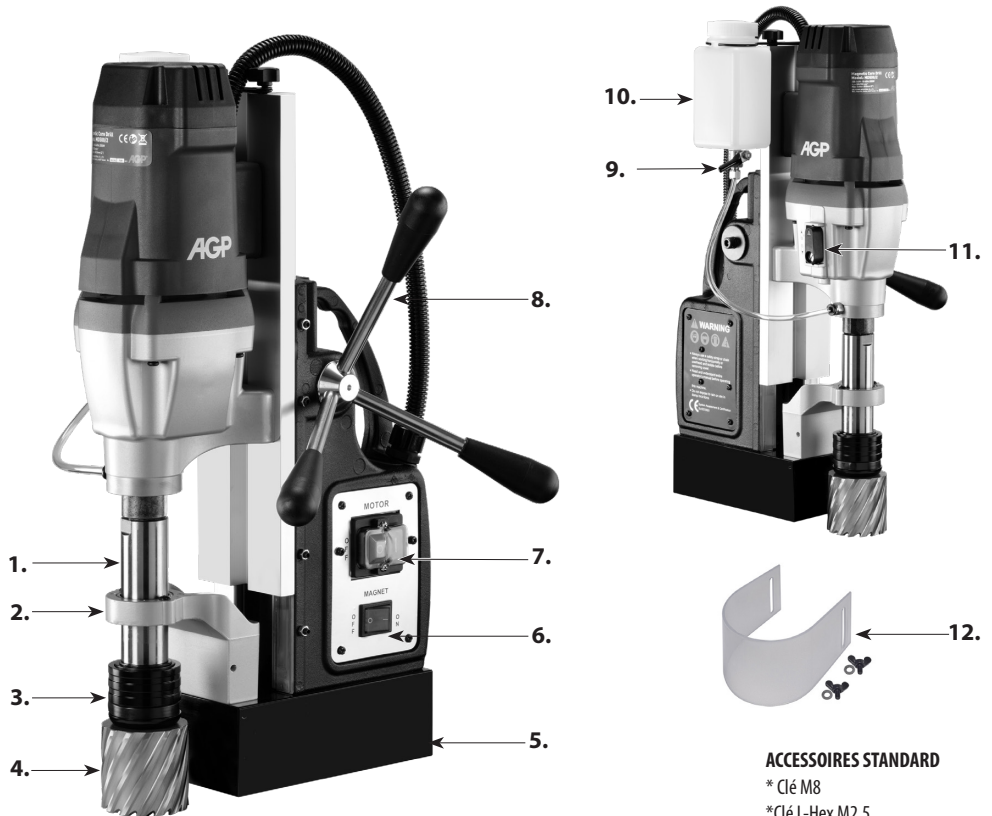
Der Gleichrichter nimmt den Haushaltswechselstrom auf und wandelt ihn in Gleichstrom um, um den Magneten zu betreiben. Wenn er ausfällt, erhalten die Magnetspulen keinen Strom. Trennen Sie den Gleichrichter ab und prüfen Sie den Widerstand der beiden Stromkreise des Gleichrichters zwischen der Wechsel- und der Gleichstromseite. Beachten Sie, dass es auf die Polarität ankommt, so dass Sie nur dann eine Messung vornehmen können, wenn die Prüfspitzen richtig ausgerichtet sind. Jede Seite wird das Gegenteil von der anderen sein. Beide Stromkreise sollten nahezu den gleichen Widerstandswert aufweisen. Wenn einer der Stromkreise einen Widerstand von Null aufweist, bedeutet dies, dass er kurzgeschlossen ist. Wenn einer der Stromkreise einen unendlichen Widerstand aufweist, bedeutet dies, dass der Stromkreis unterbrochen ist.

Wenn das Netzkabel ausgetauscht werden muss, darf dies nur vom Hersteller oder seinem Vertreter vorgenommen werden, um ein Sicherheitsrisiko zu vermeiden.

WARNUNG: Alle Reparaturen müssen von einem autorisierten Servicecenter durchgeführt werden. Unsachgemäß durchgeführte Reparaturen können zu Verletzungen oder zum Tod führen.

TECHNICAL DATA

Alimentation électrique	2 000 W (220-240 V), 1 700 W (110-120 V)	
Tension	Voir la plaque signalétique de la machine	
Non/pleine charge Min ⁻¹	Vitesse 1	380 / 230
	Vitesse 2	550 / 330
Capacité	Ø x profondeur de coupe (fraises annulaires)	65 x 75 mm (2-9/16" x 3")
	Ø Forets hélicoïdaux	Tige ≤ 16 mm (5/8")
	Accident vasculaire cérébral	115 mm (4-1/2")
Adhésion magnétique	32 000 N	
Poids net	21,1 kg (46,5 lb)	



- 1. Broche
- 2. Support de l'arbre
- 3. Collier à libération rapide
- 4. Coupeur annulaire et goupille pilote non inclus)
- 5. Base magnétique
- 6. Interrupteur magnétique

- 7. Interrupteur du moteur
- 8. Manivelle
- 9. Robinet d'alimentation en liquide de refroidissement
- 10. Réservoir de liquide de refroidissement
- 11. Sélecteurs de vitesse
- 12. Kit de protection des copeaux

ACCESSOIRES STANDARD

- * Clé M8
- * Clé L-Hex M2.5
- * L-Hex Key M4
- * Kit de protection des copeaux
- * Kit de réservoir de liquide de refroidissement
- * Sangle de sécurité

ACCESSOIRES EN OPTION

- * Adaptateur de mandrin
- * Mandrin et clé de 16 mm (5/8")

AVERTISSEMENTS GÉNÉRAUX SUR LA SÉCURITÉ DES OUTILS ÉLECTRIQUES



AVERTISSEMENT Lire tous les avertissements, instructions, illustrations et spécifications de sécurité fournis avec cet outil électrique. Le non-respect de toutes les instructions énumérées ci-dessous peut entraîner un choc électrique, un incendie et/ou des blessures graves.

Conservez tous les avertissements et instructions pour pouvoir vous y référer ultérieurement.

Le terme "outil électrique" dans les avertissements fait référence à votre outil électrique fonctionnant sur secteur (filaire) ou sur batterie (sans fil).

1) SÉCURITÉ DES LIEUX DE TRAVAIL

- a. **Gardez la zone de travail propre et bien éclairée.** Les zones encombrées ou sombres sont propices aux accidents.
- b. **N'utilisez pas d'outils électriques dans des atmosphères explosives, par exemple en présence de liquides, de gaz ou de poussières inflammables.** Les outils électriques créent des étincelles qui peuvent enflammer la poussière ou les fumées.
- c. **Ne laissez pas les enfants et les spectateurs s'approcher lorsque vous utilisez un outil électrique.** Les distractions peuvent vous faire perdre le contrôle.

2) SÉCURITÉ ÉLECTRIQUE

- a. **Les fiches des outils électriques doivent être adaptées à la prise. Ne modifiez jamais la fiche de quelque façon que ce soit.** N'utilisez pas d'adaptateur avec des outils électriques mis à la terre. Des fiches non modifiées et des prises adaptées réduisent le risque de choc électrique.
- b. **Évitez tout contact du corps avec des surfaces mises à la terre ou à la masse, comme les tuyaux, les radiateurs, les cuisinières et les réfrigérateurs.** Il existe un risque accru de choc électrique si votre corps est relié à la terre ou à la masse.
- c. **N'exposez pas les outils électriques à la pluie ou à des conditions humides.** La pénétration d'eau dans un outil électrique augmente le risque de choc électrique.
- d. **Ne pas abuser du cordon. N'utilisez jamais le cordon pour porter, tirer ou débrancher l'outil électrique.** Maintenez le cordon à l'écart de la chaleur, de l'huile, des bords tranchants ou des pièces mobiles. Les cordons endommagés ou emmêlés augmentent le risque de choc électrique.
- e. **Lorsque vous utilisez un outil électrique à l'extérieur, utilisez une rallonge adaptée à une utilisation en extérieur.** L'utilisation d'un cordon adapté à l'extérieur réduit le risque de choc électrique.
- f. **Si l'utilisation d'un outil électrique dans un endroit humide est inévitable, utilisez une alimentation protégée par un dispositif à courant résiduel (RCD).** L'utilisation d'un RCD réduit le risque de choc électrique.

3) SÉCURITÉ PERSONNELLE

- a. **Restez vigilant, regardez ce que vous faites et faites preuve de bon sens lorsque vous utilisez un outil électrique. N'utilisez pas un outil électrique si vous êtes fatigué ou sous l'influence de drogues, d'alcool ou de médicaments.** Un moment d'inattention lors de l'utilisation d'un outil électrique peut entraîner des blessures graves.
- b. **Utilisez un équipement de protection individuelle. Portez toujours des lunettes de protection.** Un équipement de protection tel qu'un masque anti-poussière, des chaussures de sécurité antidérapantes, un casque de sécurité ou une protection auditive utilisés dans des conditions appropriées réduiront les blessures corporelles.
- c. **Évitez tout démarrage involontaire. Assurez-vous que l'interrupteur est en position d'arrêt avant**

de brancher la source d'alimentation et/ou le bloc-piles, de prendre ou de transporter l'outil. Le fait de porter des outils électriques avec le doigt sur l'interrupteur ou de mettre sous tension des outils électriques dont l'interrupteur est activé invite aux accidents.

- d. Retirez toute clé de réglage ou clé à molette avant de mettre l'outil électrique en marche.** Une clé laissée attachée à une pièce rotative de l'outil électrique peut entraîner des blessures.
- e. Ne vous penchez pas trop. Gardez toujours un bon pied et un bon équilibre.** Cela permet de mieux contrôler l'outil électrique dans des situations inattendues.
- f. Habillez-vous correctement. Ne portez pas de vêtements amples ni de bijoux. Tenez vos cheveux et vos vêtements éloignés des pièces mobiles.** Les vêtements amples, les bijoux ou les cheveux longs peuvent être happés par les pièces mobiles.
- g. Si des dispositifs sont prévus pour la connexion d'installations d'extraction et de collecte des poussières, assurez-vous qu'ils sont connectés et utilisés correctement.** L'utilisation de l'aspiration des poussières peut réduire les risques liés à la poussière.
- h. Ne laissez pas la familiarité acquise par l'utilisation fréquente des outils vous permettre de devenir complaisant et d'ignorer les principes de sécurité des outils.** Un geste imprudent peut provoquer une blessure grave en une fraction de seconde.

4) UTILISATION ET ENTRETIEN DES OUTILS ÉLECTRIQUES

- a. Ne forcez pas sur l'outil électrique. Utilisez le bon outil électrique pour votre application.** Le bon outil électrique fera le travail mieux et de manière plus sûre, au rythme pour lequel il a été conçu.
- b. N'utilisez pas l'outil électrique si l'interrupteur ne permet pas de le mettre en marche et de l'arrêter.** Tout outil électrique qui ne peut pas être contrôlé par l'interrupteur est dangereux et doit être réparé.
- c. Débranchez la fiche de la source d'alimentation et/ou retirez le bloc-piles, s'il est détachable, de l'outil électrique avant d'effectuer tout réglage, de changer d'accessoire ou de ranger l'outil électrique.** Ces mesures de sécurité préventives réduisent le risque de démarrage accidentel de l'outil électrique.
- d. Rangez les outils électriques inutilisés hors de portée des enfants et ne laissez pas les personnes qui ne connaissent pas l'outil électrique ou ces instructions utiliser l'outil électrique.** Les outils électriques sont dangereux entre les mains d'utilisateurs non formés.
- e. Entretenez les outils électriques et les accessoires. Vérifiez que les pièces mobiles ne sont pas mal alignées, qu'elles ne sont pas coincées, qu'elles ne sont pas cassées et qu'aucune autre condition ne risque d'affecter le fonctionnement de l'outil électrique. En cas de dommage, faites réparer l'outil électrique avant de l'utiliser.** De nombreux accidents sont causés par des outils électriques mal entretenus.
- f. Gardez les outils de coupe affûtés et propres.** Des outils de coupe correctement entretenus et aux bords tranchants sont moins susceptibles de se coincer et sont plus faciles à contrôler.
- g. Utilisez l'outil électrique, les accessoires et les embouts, etc. conformément à ces instructions, en tenant compte des conditions de travail et du travail à effectuer.** L'utilisation de l'outil électrique pour des opérations différentes de celles prévues peut entraîner une situation dangereuse.
- h. Gardez les poignées et les surfaces de préhension sèches, propres et exemptes d'huile et de graisse.** Les poignées et les surfaces de préhension glissantes et les surfaces de préhension glissantes ne permettent pas une manipulation et un contrôle sûrs de l'outil dans des situations inattendues.

5) SERVICE

Faites réparer votre outil électrique par un réparateur qualifié qui n'utilisera que des pièces de rechange identiques. Cela permettra de garantir la sécurité de l'outil électrique.

Symboles utilisés dans ce manuel

V.....volts

A.....ampères

Hz.....hertz

W.....watts

~.....courant alternatif

nvitesse nominale

min⁻¹.....révolutions ou alternance par minute



.....avertissement de danger général



.....avec terre électrique



.....lisez ces instructions



.....portez toujours une protection oculaire



.....Toujours porter un masque anti-poussière.



.....portez toujours une protection auditive



.....portez un casque de sécurité agréé



ne jetez pas les outils électriques, les accessoires et les emballages avec les déchets ménagers

TERMINOLOGIE UTILISÉE DANS LE MANUEL

- 1. Avertissement :** Ce terme signifie qu'il existe un risque de dommage physique ou de mort pour l'opérateur ou les personnes à proximité.
- 2. Attention :** Ce terme signifie qu'il existe un risque d'endommager la machine, l'outil de coupe ou d'autres équipements.
- 3. Remarque :** Ces termes offrent des informations utiles relatives au fonctionnement de la machine ou à son entretien.

AVERTISSEMENTS DE SÉCURITÉ POUR LES FORETS

- a. La perceuse doit être fixée.** Une perceuse qui n'est pas correctement fixée peut se déplacer ou basculer et entraîner des blessures corporelles.
- b. La pièce doit être serrée ou fixée au support de la pièce.** Ne percez pas de pièces qui sont trop petites pour être serrées solidement. Tenir la pièce à la main pendant l'opération peut entraîner des blessures.
- c. Ne pas porter de gants.** Les gants peuvent être happés par les pièces en rotation ou les copeaux, ce qui peut entraîner des blessures.
- d. Gardez vos mains hors de la zone de perçage lorsque l'outil est en marche.** Tout contact avec des pièces en rotation ou des copeaux peut entraîner des blessures corporelles.
- e. Assurez-vous que l'accessoire tourne avant de l'introduire dans la pièce à usiner.** Sinon, l'accessoire risque de se coincer dans la pièce, provoquant un mouvement inattendu de la pièce et des blessures corporelles.
- f. Lorsque l'accessoire est bloqué, cessez d'appliquer une pression vers le bas et éteignez l'outil.** Recherchez et prenez des mesures correctives pour éliminer la cause du blocage. Le blocage peut entraîner un mouvement inattendu de la pièce et des blessures corporelles.
- g. Évitez de générer des copeaux longs en interrompant régulièrement la pression vers le bas.** Les copeaux métalliques tranchants peuvent provoquer un enchevêtrement et des blessures corporelles.
- h. Ne retirez jamais les copeaux de la zone de perçage pendant que l'outil est en marche.** Pour enlever les copeaux, éloignez l'accessoire de la pièce à usiner, éteignez l'outil et attendez que l'accessoire cesse

de bouger. Utilisez des outils tels qu'une brosse ou un crochet pour enlever les copeaux. Tout contact avec des pièces en rotation ou des copeaux peut entraîner des blessures corporelles.

- i. **Les accessoires à vitesse nominale doivent être au moins égaux à la vitesse maximale indiquée sur l'outil électrique.** Les accessoires fonctionnant à une vitesse supérieure à leur vitesse nominale peuvent se briser et voler en éclats.
- j. **Utilisez toujours le kit de protection contre les copeaux.**

SÉCURITÉ SPÉCIFIQUE AUX FOREUSES MAGNÉTIQUES AVERTISSEMENTS ET MISES EN GARDE

- a. **Utilisez toujours une Sangle de sécurité.** Le montage peut se libérer.
- b. **AVERTISSEMENT : Pendant le fonctionnement, tenez uniquement les manivelles, et aucune autre partie de la machine.** Le fait de poser la main sur la machine peut entraîner un choc électrique en cas de fuite de tension ou si la machine coupe son propre câble d'alimentation.
- c. **Veillez toujours à ce que la pièce à travailler ait une épaisseur minimale de 12 mm (7/16 in.). Si ce n'est pas le cas, utilisez un morceau de tôle d'acier d'au moins 12 mm d'épaisseur et plus grand que l'aimant, sous la pièce, pour renforcer l'adhérence magnétique.** L'adhérence de l'aimant dépend de l'épaisseur de la pièce.
- d. **N'utilisez pas la machine sur une pièce pendant qu'elle est en cours de soudage.** Cela pourrait entraîner des dommages à la machine et/ou des blessures corporelles.
- e. **Ne jamais positionner la machine sur une pièce entre l'électrode et la masse d'un soudeur à l'arc.** Le courant de la soudeuse passera par le fil de terre du câble d'alimentation de la machine et l'endommagera.
- f. **Ne pas dépasser 90 degrés par rapport à l'horizontale.** Il est dangereux d'utiliser la perceuse à l'envers.
- g. **Veillez toujours à ce que l'aimant soit propre et exempt de rouille et de tartre.** Les copeaux métalliques et autres débris nuisent à l'adhérence magnétique.
- h. **Utilisez toujours l'outil seul sur le réceptacle.** D'autres appareils utilisés sur le même réceptacle pourraient provoquer une tension inégale qui pourrait entraîner le détachement de l'aimant.
- i. **Assurez-vous que l'aimant a bien adhéré à la pièce avant de commencer à percer.** Une bonne adhésion de l'aimant est essentielle pour un perçage sûr.
- j. **Lors du perçage de matériaux non ferreux (non magnétiques), utilisez uniquement un accessoire approuvé par le fabricant, tel qu'un adaptateur de base à vide.** L'utilisation d'accessoires qui ne sont pas approuvés par le fabricant peut entraîner une situation dangereuse.
- k. **Ne pas utiliser d'outils de coupe émoussés ou endommagés.** Cela pourrait surcharger le moteur.
- l. **Évitez d'utiliser les fraises annulaires sans liquide de coupe.** Vérifiez toujours le niveau de liquide avant de les utiliser. Les fraises annulaires ont besoin de liquide de coupe pour fonctionner correctement et durer longtemps.
- m. **Protégez le moteur. Ne laissez jamais de liquide de coupe, d'eau ou d'autres contaminants pénétrer dans le moteur.** Cela pourrait entraîner un choc électrique ou endommager le moteur.
- n. **Lorsque vous percez des matériaux de travail empilés, arrêtez-vous toujours pour dégager le bouchon après avoir percé la première couche.** La lopin de terre mal fixé va gêner le bon déroulement du forage.
- o. **ATTENTION : Ne jamais essayer d'utiliser la machine avec un courant incorrect ou une tension anormalement basse.** Une tension incorrecte pourrait endommager le moteur.
- p. **Cette machine n'est pas destinée à une utilisation de type chaîne de production.**

CYCLE DE FONCTIONNEMENT DE LA BASE MAGNÉTIQUE

Ne pas laisser la base magnétique activée en continu pendant plus de 60 minutes. Si la base magnétique est surchauffée, laissez-la refroidir pendant 30 minutes avant de continuer.

ATTENTION : Éteignez la base magnétique lorsque vous ne l'utilisez pas. Si vous laissez la base magnétique allumée en permanence, vous l'endommagerez.

ASSEMBLAGE

Le réservoir de liquide de refroidissement doit être assemblé. Fixez d'abord le tube transparent au fond du réservoir de liquide de refroidissement. Pour ce faire, desserrez d'abord l'écrou et faites glisser l'écrou sur le tube. Faites ensuite glisser le tube sur le mamelon. Serrez ensuite l'écrou. Faites glisser le support du réservoir sur la vis située en haut à droite de la glissière et serrez. Enfin, insérez l'autre extrémité du tube dans le raccord rapide de la boîte de vitesses. Il suffit de l'enfoncer directement pour l'installer (**pour le retirer, il faut d'abord pousser fermement le collier rouge du connecteur et sortir le tube**). Du liquide de refroidissement de coupe est toujours nécessaire lors de l'utilisation de coupeurs annulaires. Ouvrez le couvercle du réservoir et remplissez-le. Vérifiez souvent le niveau du liquide de refroidissement. Gardez le robinet du liquide de refroidissement fermé lorsqu'il n'est pas utilisé.

Un pare-copeaux doit être utilisé. Pour fixer le pare-copeaux, utilisez les boulons papillons fournis pour le fixer à l'aimant. Il s'agit de Il n'est pas nécessaire de retirer la protection pour nettoyer les copeaux. Il suffit de relever la protection dans sa position supérieure.

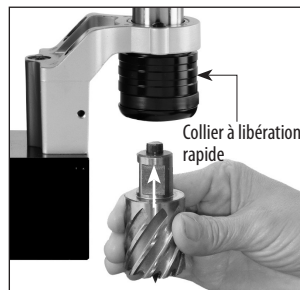
Une sangle de sécurité doit être utilisée. Passez la sangle autour de la pièce à travailler, faites passer la sangle par la poignée de l'outil électrique et serrez la sangle à l'aide du mécanisme à cliquet.

MONTAGE DE FRAISES ANNULAIRES

ATTENTION : N'utilisez jamais un outil de coupe dont la taille est supérieure à la capacité nominale maximale de la machine.

Arbre de type "Quick-release"

1. Poussez sur le collier de serrage rapide et il se verrouillera en position ouverte. Insérez le cutter avec sa goupille pilote et tournez le cutter jusqu'à ce que son plat rencontre la goupille de verrouillage. Lorsque le méplat rencontre la goupille de verrouillage, le collier s'abaisse et se verrouille. Vérifiez deux fois qu'il est complètement verrouillé.
2. Assurez-vous que le robinet d'alimentation en huile est ouvert et que le liquide de refroidissement s'écoule correctement en poussant la tige pilote. Si l'alimentation est trop rapide ou trop lente, réglez le robinet en conséquence. Gardez le robinet fermé lorsque vous ne l'utilisez pas.



SÉLECTION DE L'ÉQUIPEMENT

Avant le démarrage, sélectionnez la gamme de vitesses souhaitée en appuyant d'abord sur le levier de vitesses.

le commutateur coulissant à ressort du sélecteur de vitesse, puis en faisant glisser le sélecteur vers le haut pour une vitesse élevée ou vers le bas pour une vitesse faible. (Il peut être nécessaire de tourner légèrement l'arbre pour que les engrenages s'engrènent correctement). Suivez les plages de vitesse recommandées sur le tableau des vitesses de coupe pour régler la vitesse et la gamme d'engrenages appropriées.



TABLEAU DES VITESSES 2 VITESSES

GEAR	SANS CHARGE min ⁻¹	PLEINE CHARGE min ⁻¹	TAILLE DU COUPEUR
1	380	230	40~65 mm (1-9/16" à 2-9/16")
2	550	330	40 mm (1-9/16") ou moins

REMARQUE : Ces vitesses ne sont que des recommandations générales. Les vitesses réelles doivent être déterminées par le matériau et la vitesse de coupe recommandée par le fabricant de l'outil de coupe. Voir la section ci-dessous "VITESSES DE SURFACE RECOMMANDÉES" et utiliser la formule pour calculer le meilleur régime.

ATTENTION : Veillez à ce que les engrenages s'engagent complètement.

ATTENTION : Assurez-vous toujours que la machine est complètement arrêtée avant de tenter de changer de vitesse ! Ne changez JAMAIS de vitesse sur une machine en marche !

OPÉRATION-GÉNÉRALE

AVERTISSEMENT : Assurez-vous toujours que l'aimant est bien collé à la pièce avant de commencer à percer.

REMARQUE : En cas de montage sur une poutre à surface courbe, montez la machine parallèlement à la courbe de la pièce à usiner.

AVERTISSEMENT : Évitez de travailler à plus de 90 degrés de l'horizontale. Lorsque vous percez à un tel angle, prenez des précautions pour empêcher le liquide de refroidissement de pénétrer dans le moteur. Un liquide de refroidissement de type pâteux doit être utilisé.

1. Installez d'abord l'outil de coupe dans l'arbre et alignez-le avec le centre prévu de la coupe. Puis mettez l'aimant en marche.
2. Appuyez sur le bouton vert pour démarrer le moteur. Utilisez la manivelle pour faire avancer l'outil. Utilisez toujours une très légère pression au début de la coupe et juste au moment où l'outil perce. La manivelle offre un formidable effet de levier ; n'utilisez donc pas trop de force. Laissez l'outil de coupe déterminer le rythme. Avec l'expérience, l'opérateur sera en mesure de déterminer la meilleure vitesse d'avance sur le travail. Il doit y avoir un certain degré de ralentissement audible du moteur, mais pas d'enlèvement de la coupe. Une vitesse de coupe correcte avec un outil de coupe annulaire correctement affûté produira de longs copeaux ininterrompus, qui formeront un paquet de copeaux en forme de "nid d'oiseau" autour de la coupe.



NOTE : Assurez-vous toujours que l'outil de coupe est bien aiguisé. Un outil de coupe émoussé produira généralement des copeaux plus fins et/ou hachés.

AVERTISSEMENT : Dégagez TOUJOURS les copeaux lorsqu'il y a une accumulation trop importante. Une accumulation excessive de copeaux peut entraîner un blocage du couteau ou une autre situation dangereuse.

AVERTISSEMENT : la balle est éjectée à la fin de la coupe et est très chaude. Prévoyez toujours une méthode pour attraper le projectile, où le projectile éjecté peut causer des blessures aux personnes se trouvant en dessous.

Remarque : verrouillez le verrou de la glissière sur le côté de la machine en position complètement relevée lorsqu'elle est au repos pour éviter que la glissière ne s'abaisse accidentellement - n'oubliez pas de le déverrouiller à nouveau avant de commencer à forer.

ATTENTION : N'essayez jamais de découper des demi-cercles ou de percer des trous qui se chevauchent avec une fraise TCT. Cela pourrait détruire la fraise.

ATTENTION : Ne tentez jamais de réintroduire une coupe à moitié terminée si l'aimant a été éteint et la machine déplacée entre-temps. Cela pourrait détruire le cutter.

FORAGE TWIST

Si vous souhaitez effectuer un perçage hélicoïdal, vous devez retirer le support du mandrin en enlevant les trois boulons à tête creuse. Il faut ensuite installer un mandrin et un mandrin adaptateur en option. Suivez les instructions spéciales ci-dessous pour remplacer le support de l'arbre. (Pour les modèles à 1 et 2 vitesses uniquement).

Remplacement du support de l'arbre

1. Remplacez le support de l'arbre et vissez les 3 boulons à tête hexagonale en les serrant à la main (assurez-vous que le roulement à aiguilles est propre et suffisamment graissé).
2. Remplacez l'arbre de la fraise annulaire.



AVERTISSEMENT : faites très attention à ne pas entrer en contact avec l'arbre du mandrin en rotation !

3. Vérifiez une nouvelle fois qu'il n'y a pas de blocage tout au long de la course.
4. Serrez les 3 boulons.

MAINTENANCE

Toutes les 50 heures de fonctionnement, soufflez de l'air comprimé dans le moteur à vide pour éliminer la poussière accumulée. (Si vous travaillez dans des conditions particulièrement poussiéreuses, effectuez cette opération plus souvent).

1. Maintenez la machine propre et exempte de copeaux.
2. Vérifiez que les raccords ne sont pas desserrés et serrez-les si nécessaire.
3. Veillez à ce que les fentes de ventilation soient dégagées afin que le moteur puisse être refroidi normalement. Soufflez de l'air comprimé à basse pression dans les fentes d'aération lorsque le moteur est en marche afin de le garder propre.

L'ARBRE DE L'ARBRE

Veillez à ce que l'arbre du mandrin ne soit pas encrassé et graissez-le légèrement si nécessaire. Si le roulement du support de l'arbre est bruyant, il est peut-être sale ou contient un éclat. Retirez l'arbre du mandrin pour nettoyer et graisser à nouveau le roulement de support du mandrin.

LES CALES (GLISSIÈRES À QUEUE D'ARONDE)

Les cales doivent être réglées si elles sont trop lâches. Pour les régler, desserrez les contre-écrous et ajustez les vis de réglage de manière régulière tout en déplaçant la poignée de haut en bas. Réglez de manière à ce qu'il n'y ait pas de jeu libre, mais qu'il n'y ait pas de blocage sur toute la plage de déplacement. Resserrez ensuite les contre-écrous. Vérifiez, lubrifiez et réglez périodiquement si nécessaire.



LES BALAIS DE CARBONE

Les balais de carbone sont une pièce d'usure normale et doivent être remplacés lorsqu'ils atteignent leur limite d'usure.

Attention : Remplacez toujours les brosses par paire.

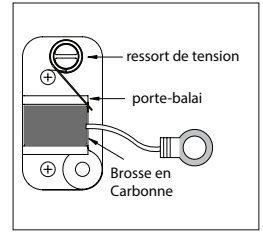
Pour les remplacer

1. Déposez les 4 vis et retirez le couvercle de la queue du moteur.
2. À l'aide d'une pince, faites pivoter le ressort du balai pour l'écarter et faites glisser l'ancien balai de charbon hors du porte-balai.
3. Dévissez la vis pour retirer le fil du balai. L'ancien balai de charbon peut maintenant être enlevé.
4. Installez une nouvelle brosse. L'installation est l'inverse de la dépose.
5. Remplacez le couvercle de la queue du moteur.



ARRÊT AUTOMATIQUE BALAI DE CARBONE

Grâce au nouveau balai de carbone à arrêt automatique, si la machine s'arrête sans raison, les balais doivent être vérifiés. La fonction automatique arrête la machine avant que les balais de carbone ne soient terminés et protège le moteur.



DÉPANNAGE DE L'AIMANT

La performance totale de l'aimant est absolument essentielle pour le fonctionnement des foreuses magnétiques.

Si l'aimant fonctionne, mais ne tient pas bien, il est probable que l'une des bobines soit défectueuse. Si l'aimant ne fonctionne pas du tout, il s'agit probablement d'un redresseur défectueux. (Il est très peu probable que les deux bobines de l'aimant tombent en panne en même temps).

REMARQUE : Une bobine magnétique défectueuse peut également endommager le redresseur, donc chaque fois qu'il y a un problème d'aimant, les DEUX bobines magnétiques et le redresseur doivent être vérifiés.

AVERTISSEMENT : N'essayez jamais d'utiliser une perceuse magnétique avec un aimant défectueux !

VÉRIFICATION DE L'AIMANT (techniciens qualifiés seulement)

Si l'aimant ne fonctionne pas bien, il faut le vérifier. Séparez les fils de chaque bobine individuelle et testez la résistance de chaque bobine séparément. (Notez que les modèles 110 V sont câblés en parallèle et les modèles 230 V en série). La résistance des bobines des aimants de différentes tailles varie, mais elle doit être de l'ordre de quelques centaines d'ohms. Plus important encore, les deux bobines doivent avoir pratiquement la même résistance. Si l'une des bobines a une résistance nulle, cela signifie qu'elle est court-circuitée. Si l'une des bobines a une résistance infinie, cela signifie que le circuit est interrompu. Si l'une des bobines présente un problème, l'aimant doit être remplacé. Un aimant défectueux peut également endommager le redresseur. Vérifiez également le redresseur lorsque vous remplacez un aimant défectueux. (voir ci-dessous)

VÉRIFICATION DU RECTIFICATEUR (uniquement pour les techniciens qualifiés)

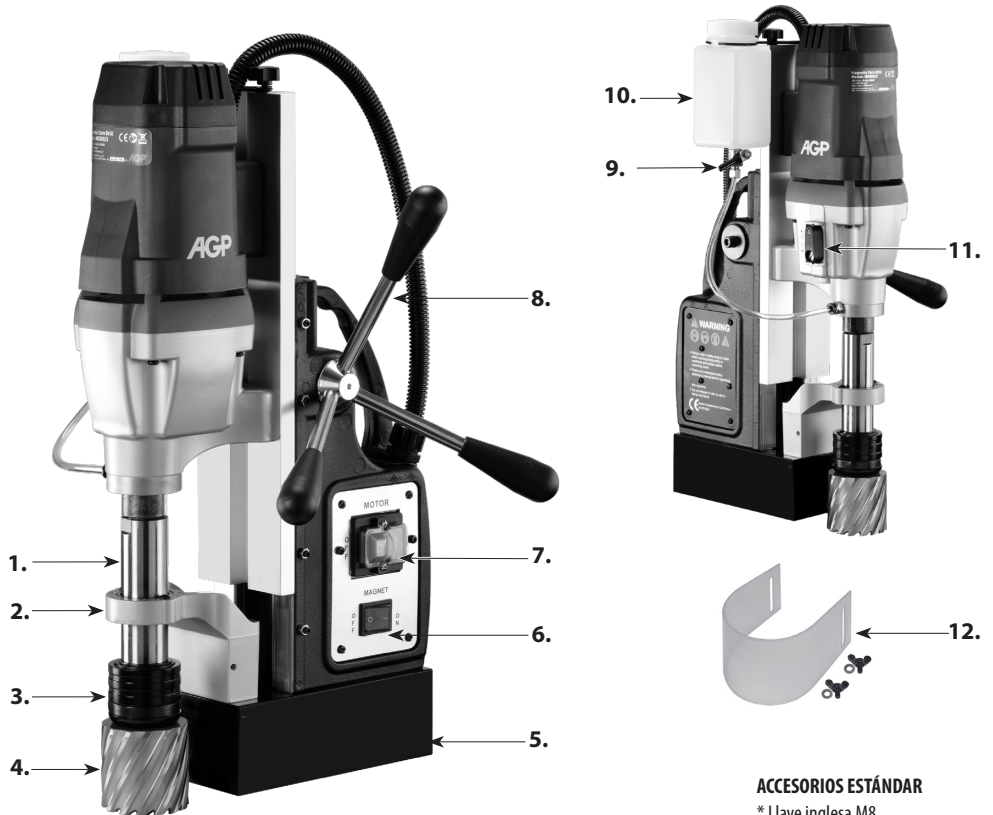
Le redresseur prend le courant alternatif domestique et le convertit en courant continu pour alimenter l'aimant. S'il tombe en panne, les bobines de l'aimant ne seront pas alimentées. Débranchez le redresseur et testez la résistance des deux circuits du redresseur entre le côté CA et le côté CC. Notez que la polarité est importante, vous ne pouvez donc effectuer un relevé que si les sondes de test sont orientées correctement. Chaque côté sera l'opposé de l'autre. Les deux circuits doivent présenter une résistance presque identique. Si l'un des circuits présente une résistance nulle, cela signifie qu'il est en court-circuit. Si l'un des circuits présente une résistance infinie, cela signifie que le circuit est coupé.

Si le remplacement du cordon d'alimentation est nécessaire, il doit être effectué par le fabricant ou son agent afin d'éviter tout risque de sécurité.

AVERTISSEMENT : Toutes les réparations doivent être confiées à un centre de service agréé. Des réparations effectuées de manière incorrecte peuvent entraîner des blessures ou la mort.

DATOS TÉCNICOS

Entrada de energía	2 000 W (220-240 V), 1700 W (110-120 V)	
Tensión	Ver placa de características de la máquina	
No/Carga completa Min ⁻¹	Velocidad 1	380 / 230
	Velocidad 2	550 / 330
Capacidad	Ø x Profundidad de corte (fresas anulares)	65 x 75 mm (2-9/16" x 3")
	Ø Taladros de torsión	≤ Mango de 16 mm (5/8")
	Accidente cerebrovascular	115 mm (4-1/2")
Adhesión magnética	32 000 N	
Peso neto	21,1 kg (46,5 lb)	



- 1. Husillo
- 2. Soporte del árbol
- 3. Collarín de liberación rápida
- 4. Cortador anular y pasador piloto (no incluidos)
- 5. Base magnética
- 6. Interruptor magnético

- 7. Interruptor del motor
- 8. Manivela
- 9. Grifo de alimentación de refrigerante
- 10. Depósito de refrigerante
- 11. Selector de engranajes
- 12. Kit de protección contra astillas

ACCESORIOS ESTÁNDAR

- * Llave inglesa M8
- * Llave hexagonal M2.5
- * Llave hexagonal M4
- * Kit de protección contra astillas
- * Kit de depósito de refrigerante
- * Correa de seguridad

ACCESORIOS OPCIONALES

- * Adaptador de mandril
- * Mandril y llave de 16 mm (5/8")

ADVERTENCIAS GENERALES DE SEGURIDAD DE LAS HERRAMIENTAS ELÉCTRICAS



ADVERTENCIA Lea todas las advertencias de seguridad, instrucciones, ilustraciones y especificaciones proporcionadas con esta herramienta eléctrica. El incumplimiento de todas las instrucciones indicadas a continuación puede provocar una descarga eléctrica, un incendio y/o lesiones graves.

Guarde todas las advertencias e instrucciones para futuras consultas.

El término "herramienta eléctrica" en las advertencias se refiere a su herramienta eléctrica con cable o con batería (inalámbrica).

1) SEGURIDAD EN EL ÁREA DE TRABAJO

- a. **Mantenga la zona de trabajo limpia y bien iluminada.** Las zonas desordenadas u oscuras invitan a los accidentes.
- b. **No utilice las herramientas eléctricas en atmósferas explosivas, como en presencia de líquidos, gases o polvos inflamables.** Las herramientas eléctricas crean chispas que pueden encender el polvo o los humos.
- c. **Mantenga alejados a los niños y a los transeúntes mientras maneja una herramienta eléctrica.** Las distracciones pueden hacerle perder el control.

2) SEGURIDAD ELÉCTRICA

- a. **Los enchufes de las herramientas eléctricas deben coincidir con la toma de corriente.** No modifique nunca el enchufe de ninguna manera. No utilice ningún enchufe adaptador con herramientas eléctricas con toma de tierra. Los enchufes no modificados y las tomas de corriente adecuadas reducen el riesgo de descarga eléctrica.
- b. **Evite el contacto del cuerpo con superficies conectadas a tierra, como tuberías, radiadores, cocinas y frigoríficos.** Existe un mayor riesgo de descarga eléctrica si su cuerpo está conectado a tierra.
- c. **No exponga las herramientas eléctricas a la lluvia o a condiciones de humedad.** La entrada de agua en una herramienta eléctrica aumentará el riesgo de descarga eléctrica.
- d. **No abuse del cable. Nunca utilice el cable para transportar, tirar o desenchufar la herramienta eléctrica.** Mantenga el cable alejado del calor, el aceite, los bordes afilados o las piezas móviles. Los cables dañados o enredados aumentan el riesgo de descarga eléctrica.
- e. **Cuando utilice una herramienta eléctrica al aire libre, utilice un cable alargador adecuado para su uso en exteriores.** El uso de un cable adecuado para exteriores reduce el riesgo de descarga eléctrica.
- f. **Si es inevitable utilizar una herramienta eléctrica en un lugar húmedo, utilice un suministro protegido por un dispositivo de corriente residual (RCD).** El uso de un RCD reduce el riesgo de descarga eléctrica.

3) SEGURIDAD PERSONAL

- a. **Manténgase alerta, preste atención a lo que hace y utilice el sentido común cuando maneje una herramienta eléctrica.** No utilice una herramienta eléctrica cuando esté cansado o bajo la influencia de drogas, alcohol o medicamentos. Un momento de falta de atención mientras maneja herramientas eléctricas puede provocar graves lesiones personales.
- b. **Utilice el equipo de protección personal. Utilice siempre protección para los ojos.** El equipo de protección, como un La máscara antipolvo, el calzado de seguridad antideslizante, el casco o la protección auditiva utilizados para las condiciones adecuadas reducirán las lesiones personales.
- c. **Evite el arranque involuntario. Asegúrese de que el interruptor está en la posición de apagado**

antes de conectar la herramienta a la fuente de alimentación y/o a la batería, y de cogerla o transportarla. Transportar las herramientas eléctricas con el dedo en el interruptor o energizar las herramientas eléctricas que tienen el interruptor encendido invita a los accidentes.

- d. **Retire las llaves de ajuste o las llaves inglesas antes de encender la herramienta eléctrica.** Si se deja una llave inglesa o una llave fija en una pieza giratoria de la herramienta eléctrica, se pueden producir lesiones personales.
- e. **No se extienda en exceso. Mantenga en todo momento el equilibrio y la estabilidad.** Esto permite un mejor control de la herramienta eléctrica en situaciones inesperadas.
- f. **Vístase adecuadamente. No lleve ropa suelta ni joyas. Mantenga el pelo y la ropa alejados de las piezas móviles.** La ropa suelta, las joyas o el pelo largo pueden quedar atrapados en las piezas móviles.
- g. **Si se proporcionan dispositivos para la conexión de instalaciones de extracción y recogida de polvo, asegúrese de que están conectados y se utilizan correctamente.** El uso de la recogida de polvo puede reducir los riesgos relacionados con el polvo.
- h. **No permita que la familiaridad adquirida por el uso frecuente de las herramientas le permita volverse complaciente e ignorar los principios de seguridad de las herramientas.** Una acción descuidada puede causar lesiones graves en una fracción de segundo.

4) USO Y CUIDADO DE LAS HERRAMIENTAS ELÉCTRICAS

- a. **No fuerce la herramienta eléctrica. Utilice la herramienta eléctrica correcta para su aplicación.** La herramienta eléctrica correcta hará el trabajo mejor y más seguro a la velocidad para la que fue diseñada.
- b. **No utilice la herramienta eléctrica si el interruptor no la enciende ni la apaga.** Toda herramienta eléctrica que no pueda ser controlada con el interruptor es peligrosa y debe ser reparada.
- c. **Desconecte el enchufe de la fuente de alimentación y/o retire el paquete de baterías, si es desmontable, de la herramienta eléctrica antes de realizar cualquier ajuste, cambiar los accesorios o almacenar las herramientas eléctricas.** Estas medidas de seguridad preventivas reducen el riesgo de que la herramienta eléctrica se ponga en marcha accidentalmente.
- d. **Guarde las herramientas eléctricas inactivas fuera del alcance de los niños y no permita que personas no familiarizadas con la herramienta eléctrica o con estas instrucciones la manejen.** Las herramientas eléctricas son peligrosas en manos de usuarios no formados.
- e. **Mantenga las herramientas eléctricas y los accesorios. Compruebe que las piezas móviles no estén desalineadas o atascadas, que no haya piezas rotas o cualquier otra condición que pueda afectar al funcionamiento de la herramienta eléctrica.** Si está dañada, haga reparar la herramienta eléctrica antes de utilizarla. Muchos accidentes son causados por herramientas eléctricas mal mantenidas.
- f. **Mantenga las herramientas de corte afiladas y limpias.** Las herramientas de corte correctamente mantenidas con bordes de corte afilados son menos propensas a atascarse y son más fáciles de controlar.
- g. **Utilice la herramienta eléctrica, los accesorios y las brocas, etc., de acuerdo con estas instrucciones, teniendo en cuenta las condiciones de trabajo y el trabajo a realizar.** El uso de la herramienta eléctrica para operaciones diferentes a las previstas podría dar lugar a una situación de peligro.
- h. **Mantenga los mangos y las superficies de agarre secos, limpios y libres de aceite y grasa.** Los mangos y superficies de agarre resbaladizos no permiten un manejo y control seguros de la herramienta en situaciones inesperadas.

5) Servicio

Encargue el mantenimiento de su herramienta eléctrica a un técnico cualificado que utilice únicamente piezas de recambio idénticas. Esto garantizará que se mantenga la seguridad de la herramienta eléctrica.

Símbolos utilizados en el manual

V.....voltios
A.....amperios
Hz.....hercios
W.....vatios
~.....Corriente alterna
n.....Velocidad nominal
min⁻¹.....Revoluciones o
rotaciones por minuto



.....Advertencia de peligro general



.....con tierra eléctrica



..... Leer estas instrucciones



.....Usar siempre protección ocular



.....Usar siempre máscara antipolvo



.....Usar siempre protección auditiva



.....Uso de casco de seguridad homologado



No deseche las herramientas eléctricas, los accesorios ni el embalaje junto con los residuos domésticos

TERMINOLOGÍA UTILIZADA EN EL MANUAL

- 1. Advertencia:** Este término significa que existe un riesgo de daño físico o de muerte para el operador o las personas cercanas.
- 2. Precaución:** Este término significa que existe el riesgo de dañar la máquina, la herramienta de corte u otros equipos.
- 3. Nota:** Estos términos ofrecen información útil relacionada con el funcionamiento de la máquina o su mantenimiento.

ADVERTENCIAS DE SEGURIDAD DE LA PERFORACIÓN

- a. El taladro debe estar asegurado.** Un taladro que no esté bien asegurado puede moverse o volcarse y puede provocar lesiones personales.
- b. La pieza debe estar sujeta o asegurada al soporte de la pieza.** No taladre piezas que sean demasiado pequeñas para sujetarlas con seguridad. Sujetar la pieza de trabajo con la mano durante la operación puede provocar lesiones personales.
- c. No utilice guantes.** Los guantes pueden quedar atrapados por las piezas giratorias o las virutas, lo que puede provocar lesiones personales.
- d. Mantenga las manos fuera de la zona de perforación mientras la herramienta esté en funcionamiento.** El contacto con las piezas giratorias o las virutas puede provocar lesiones personales.
- e. Asegúrese de que el accesorio está girando antes de introducirlo en la pieza de trabajo.** De lo contrario, el accesorio podría atascarse en la pieza de trabajo, provocando un movimiento inesperado de la misma y lesiones personales.
- f. Cuando el accesorio se atasque, deje de aplicar presión hacia abajo y apague la herramienta.** Investigue y tome medidas correctivas para eliminar la causa del atasco. El atasco puede causar un movimiento inesperado de la pieza de trabajo y lesiones personales.
- g. Evite la generación de virutas largas interrumpiendo regularmente la presión hacia abajo.** Las virutas metálicas afiladas pueden provocar enredos y lesiones personales.
- h. No retire nunca las virutas de la zona de perforación mientras la herramienta esté en funcionamiento. Para eliminar las virutas, aleje el accesorio de la pieza de trabajo, apague la**

herramienta y espere a que el accesorio deje de moverse. Utilice herramientas como un cepillo o un gancho para eliminar las virutas. El contacto con las piezas giratorias o las virutas puede provocar lesiones personales.

- i. **Los accesorios con índices de velocidad deben tener un valor nominal al menos igual al de la velocidad máxima marcada en la herramienta eléctrica.** Los accesorios que funcionan a una velocidad superior a la nominal pueden romperse y salir despedidos.
- j. **Utilice siempre el kit de protección contra astillas.**

ADVERTENCIAS Y PRECAUCIONES DE SEGURIDAD ESPECÍFICAS DEL TALADRO MAGNÉTICO

- a. **Utilice siempre la Correa de seguridad.** El montaje puede soltarse.
- b. **ADVERTENCIA: Durante el funcionamiento, sujete únicamente las manivelas, no cualquier otra parte de la máquina.** Colocar la mano sobre la máquina puede provocar una descarga eléctrica en caso de fuga de tensión o si la máquina corta su propio cable de alimentación.
- c. **Asegúrese siempre de que la pieza de trabajo tiene un grosor mínimo de 12 mm (7/16 pulgadas). Si no lo es, utilice un trozo de chapa de acero de un grosor mínimo de 12 mm y mayor que el imán, debajo de la pieza de trabajo, para complementar la adhesión magnética.** La adherencia del imán depende del grosor de la pieza de trabajo.
- d. **No utilice la máquina sobre una pieza de trabajo mientras se esté soldando.** Esto puede provocar daños en la máquina y/o lesiones personales.
- e. **Nunca coloque la máquina sobre una pieza de trabajo entre el electrodo y la tierra de cualquier soldadora de tipo arco.** La corriente del soldador se conectará a tierra a través del hilo de tierra del cable de alimentación de la máquina, causándole daños.
- f. **No sobrepase los 90 grados respecto a la horizontal.** Es peligroso utilizar el taladro al revés.
- g. **Asegúrese siempre de que el imán esté limpio y libre de óxido y escamas.** Las virutas de metal y otros residuos dificultan la adhesión magnética.
- h. **Utilice siempre la herramienta sola en el receptáculo.** El uso de otras unidades en el mismo receptáculo podría causar un voltaje desigual que podría provocar el desprendimiento del imán.
- i. **Asegúrese de que el imán se ha adherido correctamente a la pieza de trabajo antes de comenzar a taladrar.** La adhesión adecuada del imán es esencial para un taladrado seguro.
- j. **Al taladrar materiales de trabajo no ferrosos (no magnéticos), utilice únicamente un accesorio aprobado por el fabricante, como un adaptador de base de vacío.** El uso de accesorios que no estén aprobados por el fabricante podría dar lugar a una situación peligrosa.
- k. **No opere con herramientas de corte desafiladas o dañadas.** Esto puede sobrecargar el motor.
- l. **Evite utilizar las cortadoras anulares sin líquido de corte.** Compruebe siempre el nivel de líquido antes de operar. Los cortadores anulares requieren líquido de corte para un funcionamiento correcto y una larga vida útil.
- m. **Proteja el motor. Nunca permita que el líquido de corte, el agua u otros contaminantes entren en el motor.** Esto podría provocar una descarga eléctrica o daños en el motor.
- n. **Al taladrar materiales de trabajo apilados, deténgase siempre para despejar el desecho después de taladrar la primera capa.** La babosa suelta interferirá con la perforación adecuada.
- o. **PRECAUCIÓN: Nunca intente utilizar la máquina con una corriente incorrecta o una tensión anormalmente baja.** Una tensión incorrecta puede provocar daños en el motor.
- p. **Esta máquina no está pensada para un uso en línea de producción.**

CICLO DE TRABAJO DE LA BASE MAGNÉTICA

No deje la base magnética activada continuamente durante más de 60 minutos. Si la base magnética se sobrecalienta, deje que se enfríe durante 30 minutos antes de continuar.

PRECAUCIÓN: Apague la base magnética cuando no la utilice. Dejar la base magnética encendida continuamente la dañará.

MONTAJE

Se requiere el montaje del tanque de refrigerante. En primer lugar, fije el tubo transparente a la parte inferior del depósito de refrigerante. Para ello, primero afloje la tuerca y deslice la tuerca en el tubo. A continuación, deslice el tubo en la boquilla. A continuación, apriete la tuerca. Deslice el colgador del depósito sobre el tornillo de la parte superior derecha del deslizador y apriételo. Por último, inserte el otro extremo del tubo en el conector de cierre rápido de la caja de cambios. Sólo tiene que empujar directamente para instalarlo. **(Para quitarlo, primero empuje firmemente el cuello rojo del conector y tire del tubo hacia fuera).** El líquido refrigerante de corte es siempre necesario cuando se utilizan cortadores anulares. Abra la tapa del depósito y llénelo. Compruebe a menudo el nivel del líquido refrigerante. Mantenga el grifo de refrigerante cerrado cuando no lo utilice.

Se debe utilizar un protector de virutas. Para fijar el protector de virutas, utilice los tornillos de mariposa suministrados para atornillar al imán. Se no es necesario quitar el protector para limpiar las virutas. Basta con elevar el protector a su posición superior.

Debe utilizarse la correa de seguridad. Enrolle la correa alrededor de la pieza de trabajo, pase la correa por el mango de la herramienta eléctrica y apriete la correa con el mecanismo de trinquete.

MONTAJE DE CORTADORES ANULARES

PRECAUCIÓN: Nunca utilice una herramienta de corte que sea mayor que la capacidad nominal máxima de la máquina.

Perforación de tipo rápido

1. Empuje hacia arriba el collarín de liberación rápida y se bloqueará para abrirlo. Inserte el cortador con su pasador piloto y gire el cortador hasta que su parte plana se encuentre con el pasador de bloqueo. Cuando la parte plana se encuentra con el pasador de bloqueo, el collarín se encaja y se bloquea. Compruebe dos veces que está completamente bloqueado.
2. Compruebe que el grifo de alimentación de aceite está abierto y que el refrigerante se alimenta correctamente empujando el pasador piloto. Si la alimentación es demasiado rápida o lenta, ajuste el grifo en consecuencia. Mantenga el grifo cerrado cuando no lo utilice.



SELECCIÓN DE ENGRANAJES

Antes de perforar, seleccione la gama de marchas deseada presionando primero sobre interruptor deslizante del selector de marchas con resorte y luego deslizar el selector hacia arriba para la velocidad alta o hacia abajo

para la velocidad baja. (Puede ser necesario girar ligeramente el eje para que los engranajes engranen correctamente). Siga los rangos de velocidad recomendados en la tabla de velocidades de corte para ajustar la velocidad y el rango de engranajes adecuados.

CUADRO DE VELOCIDADES DE 2 MARCHAS

GEAR	NO CARGA min ⁻¹	CARGA COMPLETA min ⁻¹	TAMAÑO DE LA CORTADORA
1	380	230	40~65 mm (1-9/16" a 2-9/16")
2	550	330	40 mm (1-9/16") o menos

NOTA: Estas velocidades son sólo recomendaciones generales. Las velocidades reales deben ser determinadas por el material y la velocidad de corte recomendada por el fabricante de la herramienta de corte. Consulte la sección "VELOCIDADES DE SUPERFICIE RECOMENDADAS" y utilice la fórmula para calcular las mejores RPM.

PRECAUCIÓN: Asegúrese de que los engranajes encajan completamente.

PRECAUCIÓN: ¡Asegúrese siempre de que la máquina está completamente parada antes de intentar cambiar de marcha! NUNCA cambie las marchas con la máquina en marcha.

OPERACIÓN-GENERAL

ADVERTENCIA: Asegúrese siempre de que el imán está bien adherido a la pieza de trabajo antes de empezar a taladrar.

NOTA: Si se monta en una viga de superficie curva, monte la máquina en paralelo a la curva de la pieza.

ADVERTENCIA: Evite operar a más de 90 grados de la horizontal. Al taladrar en ese ángulo, tome precauciones para evitar que el refrigerante de corte entre en el motor. Se debe utilizar refrigerante tipo pasta.

1. En primer lugar, coloque la herramienta de corte en el eje y alinéela con el centro de corte previsto. A continuación, encienda el imán.
2. Pulse el botón verde de encendido del motor para ponerlo en marcha. Utilice la manivela para alimentar el trabajo. Utilice siempre una presión muy ligera al comenzar el corte y justo cuando la herramienta se abre paso. La manivela ofrece una gran capacidad de palanca, por lo que no hay que emplear demasiada fuerza. Deje que la herramienta de corte determine el ritmo. Con la experiencia, el operario será capaz de determinar el mejor ritmo para alimentar el trabajo. Debe haber cierto grado de ralentización audible del motor, pero sin que el corte se atasque. La velocidad de corte correcta con un cortador anular bien afilado producirá virutas largas y sin interrupciones, que producen un haz de virutas en forma de "nido de pájaro" alrededor del corte.



NOTA: Asegúrese siempre de que la herramienta de corte esté afilada. Un cortador sin filo normalmente tendrá virutas más finas y/o picadas.

ADVERTENCIA: Limpie SIEMPRE las virutas cuando haya demasiada acumulación. Una acumulación

excesiva de virutas podría provocar un atasco de la cuchilla u otra situación peligrosa.

ADVERTENCIA: el proyectil sale despedido al final del corte y está muy caliente. Prevea siempre un método para atrapar el proyectil, ya que el proyectil expulsado puede causar lesiones a las personas que se encuentran debajo.

Nota: Bloquee el bloqueo de la corredera en el lateral de la máquina en la posición totalmente elevada cuando esté en reposo para evitar que la corredera se baje accidentalmente - recuerde desbloquearla de nuevo antes de comenzar a taladrar.

PRECAUCIÓN: Nunca intente cortar medios círculos o hacer agujeros superpuestos con una fresa de metal duro. Esto puede destruir el cortador.

PRECAUCIÓN: Nunca intente volver a introducir un corte a medio terminar si el imán ha sido apagado y la máquina desplazada en el ínterin. Esto puede destruir la cortadora.

TALADRO DE TORSIÓN

Si se desea realizar un taladro helicoidal, debe retirarse el soporte del árbol quitando los tres tornillos de cabeza hueca. A continuación, debe instalarse un mandril adaptador de portabrocas opcional y un portabrocas. Siga las instrucciones especiales que se indican a continuación para sustituir el soporte del árbol. (Sólo para los modelos de 1 y 2 velocidades).



Sustitución del soporte del árbol

1. Vuelva a colocar el soporte del árbol y atornille los 3 tornillos de cabeza hexagonal apretándolos con los dedos (asegúrese de que el cojinete de agujas esté limpio y adecuadamente engrasado).
2. Vuelva a colocar el árbol de corte anular.



ADVERTENCIA: ¡tenga mucho cuidado de no entrar en contacto con el eje del árbol giratorio!

3. Compruebe dos veces que no hay atascos en ninguna parte de la carrera.
4. Apretar los 3 tornillos.

MANTENIMIENTO

Cada 50 horas de funcionamiento, sople aire comprimido a través del motor mientras funciona en vacío para limpiar el polvo acumulado. (Si se opera en condiciones especialmente polvorientas, realice esta operación con mayor frecuencia).

1. Mantenga la máquina limpia y sin astillas.
2. Compruebe si hay accesorios sueltos y apriételos si es necesario.
3. Asegúrese de que las ranuras de ventilación están despejadas para que el motor pueda refrigerarse normalmente. Sople aire comprimido a baja presión a través de las ranuras de ventilación con el motor en marcha para mantenerlo limpio.

EL EJE DEL CENADOR

Mantenga el eje del cenador libre de suciedad y engrase ligeramente cuando sea necesario. Si el cojinete de apoyo del árbol hace ruido, puede estar sucio o tener una viruta alojada en él. Retire el eje del árbol para limpiar y volver a engrasar el cojinete de apoyo del árbol.

LAS CUÑAS (GUÍAS DE COLA DE MILANO)

Las cuñas deben ajustarse si están demasiado flojas. Para ajustarlas, afloje las tuercas de seguridad y ajuste los tornillos de ajuste uniformemente mientras mueve la manivela hacia arriba y hacia abajo. Ajústelo de manera que no haya juego libre, pero sí atascamiento en cualquier parte de su recorrido. A continuación, vuelva a apretar las tuercas de seguridad. Compruebe, lubrique y ajuste periódicamente según sea necesario.



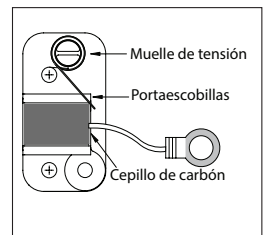
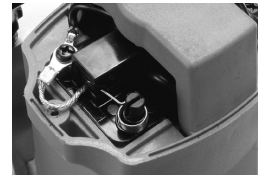
LAS ESCOBILLAS DE CARBÓN

Las escobillas de carbón son una pieza de desgaste normal y deben ser sustituidas cuando alcanzan su límite de desgaste.

Precaución: Sustituya siempre las escobillas como un par.

Para sustituirlas

1. Quite los 4 tornillos y retire la tapa de la cola del motor.
2. Con unos alicates, gire el muelle de la escobilla para sacarlo del portaescobillas.
3. Desenrosque el tornillo para retirar el cable de la escobilla. La escobilla de carbón vieja se puede retirar ahora.
4. Instale una nueva escobilla. La instalación es la inversa a la extracción.
5. Vuelva a colocar la tapa de la cola del motor.



ESCOBILLA DE CARBÓN DE PARADA AUTOMÁTICA

Gracias a la nueva parada automática de las escobillas de carbón, si la máquina se detiene sin motivo, hay que revisar las escobillas. La función automática detiene la máquina antes de que se acaben las escobillas de carbón y protege el motor.

SOLUCIÓN DE PROBLEMAS DE LOS IMANES

El pleno rendimiento del imán es absolutamente esencial para el funcionamiento del taladro magnético. Si el imán funciona, pero no se sostiene bien, es probable que una de las bobinas haya fallado. Si el imán no funciona en absoluto, es probable que haya fallado un rectificador. (Es muy poco probable que las dos bobinas del imán fallen al mismo tiempo)

NOTA: Una bobina magnética defectuosa también puede dañar el rectificador, por lo que siempre que haya un problema con el imán, deben revisarse AMBAS bobinas magnéticas y el rectificador.

ADVERTENCIA: ¡No intente nunca utilizar un taladro magnético con un imán defectuoso!

COMPROBACIÓN DEL IMÁN (sólo para técnicos cualificados)

Si el imán no funciona bien, hay que comprobarlo. Separe los cables de cada bobina individual y compruebe la resistencia de cada bobina por separado. (tenga en cuenta que los modelos de 110 V están cableados en paralelo y los de 230 V en serie) La resistencia de las bobinas de los diferentes tamaños de imanes varía, pero debe estar en torno a los cientos de ohmios. Lo más importante es que ambas bobinas deben tener casi la misma resistencia. Si una de las bobinas tiene resistencia cero, significa que está en cortocircuito. Si una de las bobinas tiene una resistencia infinita, significa que el circuito está roto. Si cualquiera de las bobinas tiene un problema, el imán debe ser sustituido. Un imán defectuoso también puede causar daños en el rectificador. Compruebe también el rectificador cuando sustituya un imán defectuoso. (ver más abajo)

COMPROBACIÓN DEL RECTIFICADOR (sólo para técnicos cualificados)

El rectificador toma la corriente doméstica de CA y la convierte en CC para alimentar el imán. Si falla, las bobinas del imán no recibirán energía.

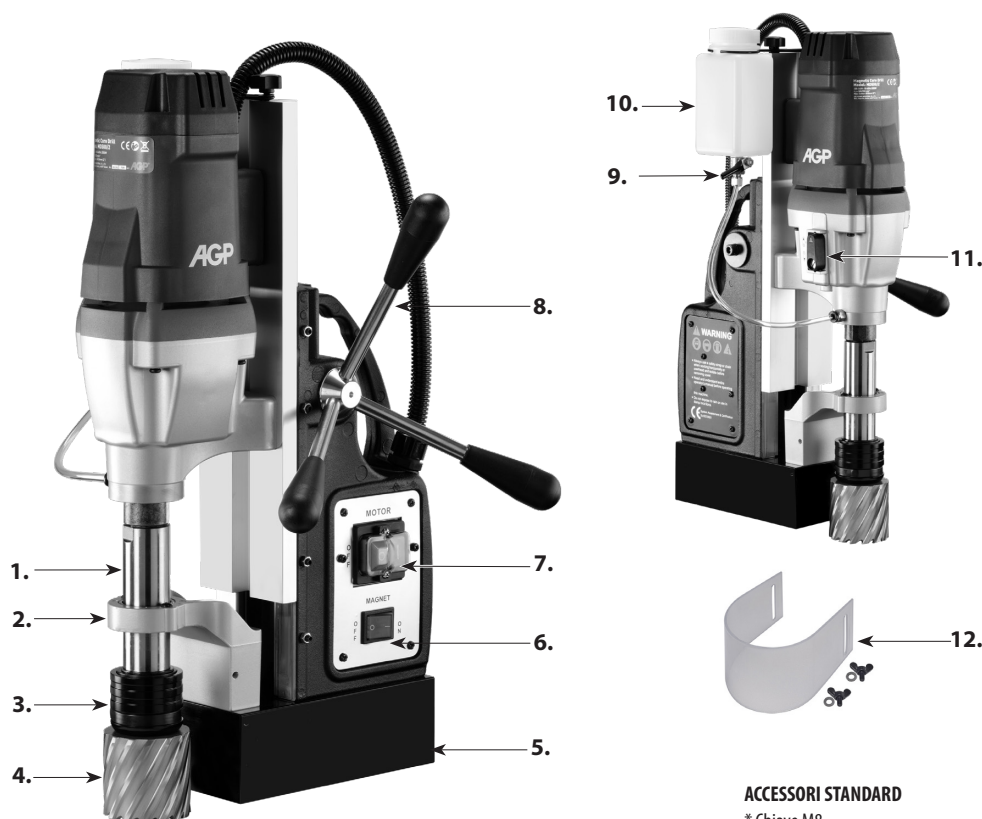
Desconecte el rectificador y compruebe la resistencia de ambos circuitos del rectificador entre el lado de CA y el de CC. Tenga en cuenta que la polaridad es importante, por lo que sólo puede tomar una lectura si las sondas de prueba están orientadas correctamente. Cada lado será el opuesto del otro. Ambos circuitos deben tener casi la misma lectura de resistencia. Si uno de los circuitos tiene una resistencia cero, significa que está en cortocircuito. Si uno de los circuitos tiene una resistencia infinita, significa que el circuito está roto.

Si es necesario sustituir el cable de alimentación, debe hacerlo el fabricante o su agente para evitar un riesgo de seguridad.

ADVERTENCIA: Todas las reparaciones deben confiarse a un centro de servicio autorizado. Las reparaciones realizadas de forma incorrecta podrían provocar lesiones o la muerte.

DATI TECNICI

Ingresso alimentazione	2 000 W (220-240 V), 1 700 W (110-120 V)	
Tensione	Vedere la targhetta della macchina	
No/Full Load Min ⁻¹	Velocità 1	380 / 230
	Velocità 2	550 / 330
Capacità	Ø x profondità di taglio (frese anulari)	65 x 75 mm (2-9/16" x 3")
	Ø Trapani a torsione	Gambo ≤ 16 mm (5/8")
	Ictus	115 mm (4-1/2")
Adesione magnetica	32 000 N	
Peso netto	21,1 kg (46,5 lb)	



- 1. Mandrino
- 2. Staffa di supporto del perno
- 3. Collare a sgancio rapido
- 4. Fresa anulare e perno pilota (non inclusi)
- 5. Base magnetica
- 6. Interruttore magnetico

- 7. Interruttore del motore
- 8. Manovella
- 9. Rubinetto di alimentazione del refrigerante
- 10. Serbatoio del refrigerante
- 11. Selettore di ingranaggi
- 12. Kit di protezione del chip

ACCESSORI STANDARD

- * Chiave M8
- * L-Hex Key M2.5
- * L-Hex Key M4
- * Kit di protezione del chip
- * Kit serbatoio refrigerante
- * Cinturino di sicurezza

ACCESSORI OPZIONALI

- * Adattatore a mandrino
- * Mandrino e chiave da 16 mm (5/8")

AVVERTENZE GENERALI SULLA SICUREZZA DEGLI UTENSILI ELETTRICI



AVVERTENZA Leggere tutte le avvertenze di sicurezza, le istruzioni, le illustrazioni e le specifiche fornite con questo utensile elettrico. Il mancato rispetto di tutte le istruzioni elencate di seguito può provocare scosse elettriche, incendi e/o lesioni gravi.

Conservare tutte le avvertenze e le istruzioni per riferimento futuro.

Il termine "utensile elettrico" nelle avvertenze si riferisce al tuo utensile elettrico a rete (con cavo) o a batteria (senza cavo).

1) SICUREZZA DELL'AREA DI LAVORO

- a. **Mantenere l'area di lavoro pulita e ben illuminata.** Aree disordinate o buie favoriscono gli incidenti.
- b. **Non utilizzare utensili elettrici in atmosfere esplosive, come in presenza di liquidi, gas o polveri infiammabili.** Gli utensili elettrici creano scintille che possono infiammare la polvere o i fumi.
- c. **Tenere lontani i bambini e gli astanti mentre si utilizza un utensile elettrico.** Le distrazioni possono farle perdere il controllo.

2) SICUREZZA ELETTRICA

- a. **Le spine degli utensili elettrici devono corrispondere alla presa. Non modificare mai la spina in alcun modo.** Non usare spine adattatrici con utensili elettrici con messa a terra. Spine non modificate e prese corrispondenti ridurranno il rischio di scosse elettriche.
- b. **Evitare il contatto del corpo con superfici messe a terra, come tubi, radiatori, cucine e frigoriferi.** C'è un rischio maggiore di scossa elettrica se il tuo corpo è collegato a terra o a terra.
- c. **Non esporre gli utensili elettrici alla pioggia o a condizioni di umidità.** L'acqua che entra in un utensile elettrico aumenta il rischio di scosse elettriche.
- d. **Non abusare del cavo. Non usare mai il cavo per trasportare, tirare o scollegare l'utensile elettrico.** Tenere il cavo lontano da calore, olio, bordi taglienti o parti in movimento. I cavi danneggiati o impigliati aumentano il rischio di scosse elettriche.
- e. **Quando si utilizza un utensile elettrico all'aperto, usare una prolunga adatta all'uso all'aperto.** L'uso di una prolunga adatta all'esterno riduce il rischio di scosse elettriche.
- f. **Se è inevitabile far funzionare un utensile elettrico in un luogo umido, utilizzare un'alimentazione protetta da un dispositivo di corrente residua (RCD).** L'uso di un RCD riduce il rischio di scosse elettriche.

3) SICUREZZA PERSONALE

- a. **Stai attento, guarda cosa stai facendo e usa il buon senso quando usi un utensile elettrico.** Non utilizzare un utensile elettrico quando si è stanchi o sotto l'influenza di droghe, alcol o farmaci. Un momento di disattenzione durante l'uso di utensili elettrici può provocare gravi lesioni personali.
- b. **Usare i dispositivi di protezione personale. Indossare sempre una protezione per gli occhi.** Dispositivi di protezione come La maschera antipolvere, le scarpe di sicurezza antiscivolo, l'elmetto o la protezione dell'udito usati per le condizioni appropriate ridurranno le lesioni personali.
- c. **Prevenire l'avviamento involontario. Assicurarsi che l'interruttore sia in posizione off prima di collegare la fonte di alimentazione e/o la batteria, prendere o trasportare l'utensile.** Trasportare gli utensili elettrici con il dito sull'interruttore o dare energia agli utensili elettrici che hanno l'interruttore acceso invita agli incidenti.
- d. **Rimuovere qualsiasi chiave di regolazione o chiave prima di accendere l'utensile elettrico.** Una chiave o una chiave lasciata attaccata a una parte rotante dell'utensile elettrico può provocare lesioni

personali.

- e. **Non sporgersi troppo. Mantenere sempre l'appoggio e l'equilibrio corretti.** Questo permette di controllare meglio l'elettrodomestico in situazioni impreviste.
- f. **Vestirsi adeguatamente. Non indossare abiti larghi o gioielli.** Tenere i capelli e i vestiti lontani dalle parti in movimento. Abiti larghi, gioielli o capelli lunghi possono rimanere impigliati nelle parti in movimento.
- g. **Se vengono forniti dispositivi per il collegamento di impianti di estrazione e raccolta della polvere, assicurarsi che questi siano collegati e usati correttamente.** L'uso della raccolta della polvere può ridurre i pericoli legati alla polvere.
- h. **Non lasciate che la familiarità acquisita dall'uso frequente degli utensili vi permetta di diventare compiacenti e di ignorare i principi di sicurezza degli utensili.** Un'azione incauta può causare gravi lesioni in una frazione di secondo.

4) USO E CURA DEGLI UTENSILI ELETTRICI

- a. **Non forzare l'elettrodomestico. Usate l'elettrodomestico corretto per la vostra applicazione.** L'elettrodomestico corretto farà il lavoro meglio e più sicuro al ritmo per cui è stato progettato.
- b. **Non usare l'utensile elettrico se l'interruttore non lo accende e lo spegne.** Qualsiasi utensile elettrico che non può essere controllato con l'interruttore è pericoloso e deve essere riparato.
- c. **Scollegare la spina dalla fonte di alimentazione e/o rimuovere la batteria, se staccabile, dall'elettrodomestico prima di effettuare regolazioni, cambiare accessori o riporre l'elettrodomestico.** Queste misure preventive di sicurezza riducono il rischio di avviare accidentalmente l'utensile elettrico.
- d. **Conservare gli utensili elettrici inattivi fuori dalla portata dei bambini e non permettere a persone che non hanno familiarità con l'utensile elettrico o con queste istruzioni di utilizzare l'utensile elettrico.** Gli utensili elettrici sono pericolosi nelle mani di utenti non addestrati.
- e. **Eeguire la manutenzione degli utensili elettrici e degli accessori. Controllate il disallineamento o l'impuntamento delle parti mobili, la rottura di parti e qualsiasi altra condizione che possa influenzare il funzionamento dell'elettrodomestico. Se danneggiato, faccia riparare l'utensile elettrico prima dell'uso.** Molti incidenti sono causati da una cattiva manutenzione degli utensili elettrici.
- f. **Mantenere gli utensili da taglio affilati e puliti.** Gli utensili da taglio mantenuti correttamente con bordi di taglio affilati hanno meno probabilità di legarsi e sono più facili da controllare.
- g. **Utilizzare l'elettrodomestico, gli accessori, le punte ecc. in conformità alle presenti istruzioni, tenendo conto delle condizioni di lavoro e del lavoro da eseguire.** L'uso dell'elettrodomestico per operazioni diverse da quelle previste può provocare una situazione pericolosa.
- h. **Mantenere le impugnature e le superfici di presa asciutte, pulite e prive di olio e grasso.** Impugnature e superfici di presa scivolose non permettono di maneggiare e controllare l'attrezzo in modo sicuro in situazioni impreviste.

5) Servizio

Fate riparare il vostro elettrodomestico da una persona qualificata usando solo parti di ricambio identiche. Questo assicurerà che la sicurezza dell'elettrodomestico sia mantenuta.

Simboli utilizzati nel manuale

V.....volt

A.....ampere

Hz.....hertz

W.....watt

~.....corrente alternata

nvelocità nominale

min⁻¹.....giri od oscillazioni al minuto



.....avvertenza di pericolo generico



.....con messa a terra elettrica



.....leggere queste istruzioni



.....indossare sempre protezioni per gli occhi



.....indossare sempre una maschera antipolvere.



.....indossare sempre protezioni per l'udito



.....indossare un elmetto omologato



non smaltire gli utensili elettrici, gli accessori e gli
imballaggi insieme ai rifiuti domestici

TERMINOLOGIA UTILIZZATA NEL MANUALE

- 1. Attenzione: Questo termine significa che c'è un rischio di danno fisico o di morte per l'operatore o per le persone vicine.**
- 2. Attenzione: Questo termine significa che c'è un rischio di danni alla macchina, all'utensile da taglio o ad altre attrezzature.**
- 3. Nota: Questi termini offrono informazioni utili relative al funzionamento della macchina o alla sua manutenzione.**

AVVERTENZE SULLA SICUREZZA DEL TRAPANO

- a. Il trapano deve essere fissato.** Un trapano che non è fissato correttamente può muoversi o ribaltarsi e può provocare lesioni personali.
- b. Il pezzo deve essere bloccato o assicurato al supporto del pezzo. Non forare pezzi troppo piccoli per essere bloccati in modo sicuro.** Tenere il pezzo a mano durante il funzionamento può provocare lesioni personali.
- c. Non indossare guanti.** I guanti possono rimanere impigliati nelle parti rotanti o nei trucioli, causando lesioni personali.
- d. Tenere le mani fuori dall'area di perforazione mentre l'utensile è in funzione.** Il contatto con parti rotanti o trucioli può provocare lesioni personali.
- e. Assicurarsi che l'accessorio stia ruotando prima di inserirlo nel pezzo da lavorare.** In caso contrario, l'accessorio potrebbe bloccarsi nel pezzo, causando un movimento imprevisto del pezzo e lesioni personali.
- f. Quando l'accessorio è inceppato, smettere di applicare la pressione verso il basso e spegnere l'utensile. Indagare e intraprendere azioni correttive per eliminare la causa dell'inceppamento.** L'inceppamento può causare un movimento imprevisto del pezzo da lavorare e lesioni personali.
- g. Evitare di generare trucioli lunghi interrompendo regolarmente la pressione verso il basso.** I trucioli metallici affilati possono causare impigliamenti e lesioni personali.
- h. Non rimuovere mai i trucioli dalla zona di foratura mentre l'utensile è in funzione. Per rimuovere i trucioli, allontanare l'accessorio dal pezzo da lavorare, spegnere l'utensile e aspettare che**

l'accessorio smetta di muoversi. Utilizzare strumenti come una spazzola o un gancio per rimuovere i trucioli. Il contatto con parti rotanti o trucioli può provocare lesioni personali.

- i. **Gli accessori che hanno una velocità nominale devono essere valutati almeno uguale alla velocità massima segnata sull'utensile elettrico.** Gli accessori che girano più velocemente della loro velocità nominale possono rompersi e volare via.
- j. **Usare sempre il kit di protezione dai trucioli.**

AVVERTENZE E PRECAUZIONI DI SICUREZZA SPECIFICHE PER IL TRAPANO MAGNETICO

- a. **Utilizzare sempre la Cinturino di sicurezza.** Il montaggio può rilasciare.
- b. **ATTENZIONE: Durante il funzionamento, tenere solo le maniglie della manovella, non qualsiasi altra parte della macchina.** Mettere la mano sulla macchina può provocare una scossa elettrica nel caso di una perdita di tensione o se la macchina taglia il proprio cavo di alimentazione.
- c. **Assicurarsi sempre che il pezzo da lavorare abbia uno spessore minimo di 12mm (7/16 in.). Se non lo è, utilizzare un pezzo di lamiera d'acciaio di almeno 12 mm di spessore e più grande del magnete, sotto il pezzo da lavorare, per completare l'adesione magnetica.** L'adesione del magnete dipende dallo spessore del pezzo da lavorare.
- d. **Non azionare la macchina su un pezzo mentre si sta saldando.** Questo può portare a danni alla macchina e/o a lesioni personali.
- e. **Non posizionare mai la macchina su un pezzo tra l'elettrodo e la terra di una saldatrice ad arco.** La corrente della saldatrice si metterà a terra attraverso il filo di terra nel cavo di alimentazione della macchina, causando danni.
- f. **Non superare i 90 gradi dall'orizzontale.** È pericoloso usare il trapano capovolto.
- g. **Assicurarsi sempre che il magnete sia pulito e privo di ruggine e incrostazioni.** Scaglie di metallo e altri detriti ostacolano l'adesione magnetica.
- h. **Usare sempre l'utensile da solo sulla presa.** Altre unità usate sulla stessa presa potrebbero causare una tensione non uniforme che potrebbe portare al rilascio del magnete.
- i. **Assicurarsi che il magnete abbia aderito correttamente al pezzo da lavorare prima di iniziare la foratura.** La corretta adesione del magnete è essenziale per una foratura sicura.
- j. **Quando si forano materiali non ferrosi (non magnetici), usare solo un accessorio approvato dal produttore, come un adattatore per la base a vuoto.** L'uso di accessori che non sono approvati dal produttore potrebbe provocare una situazione pericolosa.
- k. **Non operare con utensili da taglio opachi o danneggiati.** Questo potrebbe sovraccaricare il motore.
- l. **Evitare di far funzionare le frese anulari senza fluido di taglio.** Controllare sempre il livello del fluido prima di operare. Le frese anulari richiedono un fluido di taglio per un corretto funzionamento e una lunga durata.
- m. **Proteggere il motore. Non permettere mai che fluido da taglio, acqua o altri contaminanti entrino nel motore.** Questo potrebbe portare a scosse elettriche o danni al motore.
- n. **Quando si forano materiali da lavoro impilati, fermarsi sempre per liberare la lumaca dopo aver forato il primo strato.** Il proiettile allentato interferirà con la corretta perforazione.
- o. **ATTENZIONE: Non tentare mai di usare la macchina con una corrente sbagliata o con una tensione anormalmente bassa.** Una tensione errata potrebbe portare a danni al motore.
- p. **Questa macchina non è destinata all'uso in linea di produzione.**

CICLO DI LAVORO DELLA BASE DEL MAGNETE

Non lasciare la base magnetica attivata continuamente per più di 60 minuti. Se la base magnetica è surriscaldata, lasciarla raffreddare per 30 minuti prima di continuare.

ATTENZIONE: Spegnerla base magnetica quando non viene utilizzata. Lasciare la base magnetica continuamente accesa la danneggerà.

MONTAGGIO

È necessario il montaggio del serbatoio del refrigerante. Per prima cosa fissate il tubo trasparente al fondo del serbatoio del refrigerante. Per fare questo, prima allentare il dado e far scorrere il dado sul tubo. Poi far scorrere il tubo sul nipplo. Quindi serrare il dado. Far scorrere il gancio del serbatoio sulla vite in alto a destra della slitta e stringere. Infine inserire l'altra estremità del tubo nel connettore a sgancio rapido nel cambio. Basta spingere direttamente per installarlo (**per rimuoverlo, spingere prima saldamente il collare rosso del connettore ed estrarre il tubo**). Il liquido refrigerante da taglio è sempre necessario quando si usano frese anulari. Aprire il coperchio del serbatoio e riempire. Controllare spesso il livello del liquido di raffreddamento. Tenere chiuso il rubinetto del refrigerante quando non si usa.

È necessario utilizzare una protezione per i trucioli. Per fissare la protezione del chip, usa i bulloni a farfalla forniti per imbullonare il magnete. Esso non è necessario rimuovere la protezione per pulire i trucioli. Basta sollevare la protezione nella sua posizione superiore.

Deve essere usata la cinghia di sicurezza. Avvolgere la cinghia intorno al pezzo da lavorare, far passare la cinghia attraverso l'impugnatura dell'elettrotensile e stringere la cinghia usando il meccanismo a cricchetto.

MONTAGGIO DI FRESE ANULARI

ATTENZIONE: Non utilizzare mai un utensile da taglio più grande della capacità nominale massima della macchina.

Perno a sgancio rapido

1. Spingere verso l'alto il collare a sgancio rapido e si bloccherà. Inserire la fresa con il suo perno pilota e girare la fresa fino a quando il suo piatto incontra il perno di bloccaggio. Quando il piatto incontra il perno di bloccaggio, il collare scatta verso il basso e si blocca. Controllare due volte che sia completamente bloccato.
2. Assicurarsi che il rubinetto di alimentazione dell'olio sia aperto e che il refrigerante venga alimentato correttamente spingendo il perno pilota. Se l'alimentazione è troppo rapida o lenta, regolare il rubinetto di conseguenza. Tenere il rubinetto chiuso quando non è in uso.



SELEZIONE DEGLI INGRANAGGI

Prima di forare selezionare la gamma di marcia desiderata, spingendo prima su interruttore a slitta del selettore di marcia caricato a molla e poi facendo scorrere il selettore verso l'alto per l'alta velocità o verso il basso per la bassa velocità. (Potrebbe essere necessario ruotare leggermente l'alberino per far sì che gli ingranaggi si ingranino correttamente). Seguire le gamme di velocità raccomandate sulla tabella della velocità di taglio per impostare la velocità e la gamma di ingranaggi adeguate.



TABELLA DEGLI INGRANAGGI A 2 VELOCITÀ

INGRANAGGIO	NESSUN CARICO min ⁻¹	PIENO CARICO min ⁻¹	DIMENSIONE DEL TAGLIERINO
1	380	230	40~65 mm (1-9/16" a 2-9/16")
2	550	330	40 mm (1-9/16") o meno

NOTA: Queste velocità sono solo raccomandazioni generali. Le velocità effettive devono essere determinate dal materiale e dalla velocità di taglio raccomandata dal produttore dell'utensile da taglio. Vedere la sezione sottostante "VELOCITÀ DI TAGLIO RACCOMANDATE" e usare la formula per calcolare il migliore RPM.

ATTENZIONE: Assicurarsi che gli ingranaggi si innestino completamente.

ATTENZIONE: Assicuratevi SEMPRE che la macchina sia completamente ferma prima di tentare di cambiare le marce! Non cambiare MAI le marce su una macchina in funzione!

OPERAZIONE-GENERALE

ATTENZIONE: Assicurarsi sempre che il magnete sia ben aderente al pezzo da lavorare prima di iniziare la foratura.

NOTA: Se si monta su una trave con superficie curva, montare la macchina parallelamente alla curva nel pezzo da lavorare.

ATTENZIONE: Evitare di operare a più di 90 gradi dall'orizzontale. Quando si fora con questo angolo, prendere precauzioni per evitare che il refrigerante da taglio entri nel motore. Si dovrebbe usare un refrigerante in pasta.

1. Per prima cosa inserire l'utensile da taglio nell'albero e allinearli con il centro di taglio previsto. Poi accendere il magnete.
2. Premere il pulsante verde di accensione del motore per avviarlo. Usare la manovella per alimentare il lavoro. Usare sempre una pressione molto leggera quando si inizia il taglio e appena l'utensile sfonda. La manovella offre un'enorme leva, quindi non usare troppa forza. Lasciare che sia l'utensile da taglio a determinare il ritmo. Con l'esperienza, l'operatore sarà in grado di determinare il ritmo migliore per alimentare il lavoro. Ci dovrebbe essere un certo grado di rallentamento udibile del motore, ma non un impantanamento nel taglio. La corretta velocità di taglio con una fresa anulare correttamente affilata produrrà trucioli lunghi e ininterrotti, che producono un fascio di trucioli a forma di "nido d'uccello" attorno al taglio.



NOTA: Assicurarsi sempre che l'utensile da taglio sia affilato. Una fresa smussata in genere avrà trucioli più fini e/o spezzettati.

AVVERTENZA: Rimuovere SEMPRE i trucioli in caso di eccessivo accumulo. Un accumulo eccessivo di trucioli potrebbe causare un inceppamento della fresa o altre situazioni pericolose.

ATTENZIONE: il proiettile viene espulso alla fine del taglio ed è molto caldo. Prevedere sempre un

metodo di cattura del proiettile, dove il proiettile espulso può causare lesioni alle persone sottostanti.

Nota: Bloccare il blocco della slitta sul lato della macchina nella posizione completamente sollevata quando è a riposo per evitare che la slitta sbatta accidentalmente verso il basso - ricordarsi di sbloccarla di nuovo prima di iniziare la foratura.

ATTENZIONE: Non tentare mai di tagliare semicerchi o di forare a punto (fori sovrapposti) con una fresa TCT. Questo potrebbe distruggere la fresa.

ATTENZIONE: Non tentare mai di reinserire un taglio mezzo finito se il magnete è stato spento e la macchina spostata nel frattempo. Questo potrebbe distruggere la taglierina.

FORATURA A TORSIONE

Se si desidera la foratura a torsione, la staffa di supporto dell'albero deve essere rimossa rimuovendo i tre bulloni a testa cilindrica. Poi è necessario montare un mandrino e un mandrino adattatori opzionali. Seguite le istruzioni speciali qui sotto per sostituire la staffa di supporto dell'albero. (Solo per i modelli a 1 e 2 velocità).

Sostituzione della staffa di supporto del perno

1. Riposizionare la staffa di supporto del perno e avvitare i 3 bulloni a testa esagonale solo a mano (assicurarsi che il cuscinetto ad aghi sia pulito e adeguatamente ingrassato).
2. Sostituire il perno della fresa anulare.



ATTENZIONE: prestare la massima attenzione per evitare il contatto con l'albero dell'albero rotante!

3. Controllate due volte che non ci siano legami in nessun punto della corsa.
4. Serrare i 3 bulloni.

MANUTENZIONE

Ogni 50 ore di funzionamento soffiare aria compressa attraverso il motore mentre funziona a vuoto per pulire la polvere accumulata. (Se si opera in condizioni particolarmente polverose, eseguire questa operazione più spesso).

1. Mantenere la macchina pulita e senza trucioli.
2. Controllare se ci sono raccordi allentati e stringere se necessario.
3. Assicurarsi che le fessure di ventilazione siano libere in modo che il motore possa essere raffreddato normalmente. Soffiare aria compressa a bassa pressione attraverso le fessure di ventilazione con il motore in funzione per mantenere il motore pulito.

L'ALBERO DEL PERNO

Mantenere l'albero dell'albero privo di sporizia e ingrassare leggermente se necessario. Se il cuscinetto di supporto dell'albero è rumoroso, potrebbe essere sporco o avere un truciolo incastrato. Rimuovere l'albero dell'albero per pulire e ingrassare nuovamente il cuscinetto di supporto dell'albero.

I GIBS (GUIDE A CODA DI RONDINE)

I diaframmi richiedono una regolazione se troppo allentati. Per regolare, allentare i controdadi e regolare le viti di regolazione in modo uniforme mentre si muove la maniglia su e giù. Regolare in modo che non ci sia alcun gioco libero, ma alcun vincolo in qualsiasi punto della sua gamma di corsa. Quindi serrare nuovamente i controdadi. Controllare periodicamente, lubrificare e regolare come necessario.



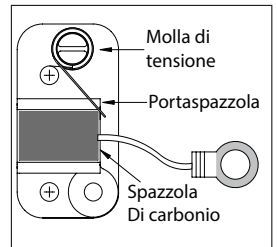
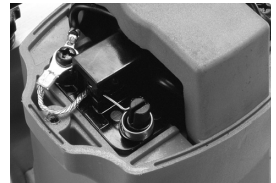
LE SPAZZOLE DI CARBONIO

Le spazzole di carbone sono una parte di normale usura e devono essere sostituite quando raggiungono il loro limite di usura.

Attenzione: Sostituire sempre le spazzole in coppia.

Da sostituire

1. Togliere le 4 viti e rimuovere il coperchio di coda del motore.
2. Usando delle pinze, ruotate la molla della spazzola fuori dalla strada e fate scivolare la vecchia spazzola di carbone fuori dal portaspazzola.
3. Svitare la vite per rimuovere il cavo della spazzola. La vecchia spazzola di carbone può ora essere sollevata.
4. Installare una nuova spazzola. L'installazione è il contrario della rimozione.
5. Sostituire il coperchio di coda del motore.



AUTO STOP SPAZZOLA DI CARBONIO

Grazie alla nuova spazzola di carbonio con arresto automatico, se la macchina si ferma senza motivo, le spazzole devono essere controllate. La funzione automatica ferma la macchina prima che le spazzole di carbone siano finite e protegge il motore.

RISOLUZIONE DEI PROBLEMI DEL MAGNETE

Il pieno rendimento del magnete è assolutamente essenziale per il funzionamento del trapano magnetico. Se il magnete funziona, ma non tiene bene, è probabile che una delle bobine sia guasta. Se il magnete non funziona affatto, è probabile che si tratti di un raddrizzatore guasto. (È altamente improbabile che entrambe le bobine del magnete si guastino allo stesso tempo)

NOTA: Una bobina di magneti difettosa può anche danneggiare il raddrizzatore, quindi ogni volta che c'è un problema di magneti, devono essere controllate ENTRAMBE le bobine di magneti e il raddrizzatore.

ATTENZIONE: Non tentare mai di far funzionare un trapano magnetico con un magnete difettoso!

CONTROLLO DEL MAGNETE (solo per tecnici qualificati)

Se il magnete non funziona bene, deve essere controllato. Separare i fili di ogni bobina individuale e testare la resistenza di ogni bobina separatamente. (notare che i modelli a 110V sono cablati in parallelo e quelli a 230V in serie) La resistenza delle bobine di magneti di diverse dimensioni varia, ma dovrebbe essere nell'ordine delle centinaia di ohm. La cosa più importante è che entrambe le bobine devono avere quasi la stessa resistenza. Se una delle bobine ha resistenza zero, significa che è in corto circuito. Se una delle bobine ha una resistenza infinita, significa che il circuito è interrotto. Se una delle due bobine ha un problema, il magnete deve essere sostituito. Un magnete difettoso può anche causare danni al raddrizzatore. Controllare anche il raddrizzatore quando si sostituisce un magnete difettoso. (vedi sotto)

CONTROLLO DEL RETTIFICATORE (solo tecnici qualificati)

Il raddrizzatore prende la corrente domestica AC e la converte in DC per alimentare il magnete. Se si guasta, le bobine del magnete non riceveranno energia.

Scollegate il raddrizzatore e testate la resistenza di entrambi i circuiti del raddrizzatore tra il lato AC e il lato DC. Nota che la polarità è importante, quindi puoi fare una lettura solo se le sonde sono orientate correttamente. Ogni lato sarà l'opposto dell'altro. Entrambi i circuiti dovrebbero avere quasi la stessa lettura di resistenza. Se uno dei circuiti ha resistenza zero, significa che è in corto circuito. Se uno dei circuiti ha una resistenza infinita, significa che il circuito è rotto.

Se la sostituzione del cavo di alimentazione è necessaria, questo deve essere fatto dal produttore o dal suo agente per evitare un rischio di sicurezza.

ATTENZIONE: Tutte le riparazioni devono essere affidate ad un centro di assistenza autorizzato. Riparazioni eseguite in modo scorretto possono causare lesioni o morte.

TECHNISCHE GEGEVENS

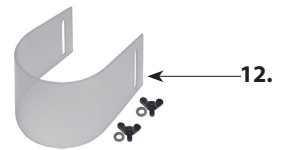
Vermogen	2 000 W (220-240 V), 1 700 W (110-120 V)	
Spanning	Zie machine naamplaatje	
Geen/Volle belasting Min ⁻¹	Snelheid 1	380 / 230
	Snelheid 2	550 / 330
Capaciteit	Ø x snijdiepte (ringvormige frezen)	65 x 75 mm (2-9/16" x 3")
	Ø Twist Boren	≤ 16 mm (5/8") schacht
	Beroerte	115 mm (4-1/2")
Magnetische kleefkracht	32 000 N	
Netto Gewicht	21,1 kg (46,5 lb)	



- 1. Spindel
- 2. Arbor steunbeugel
- 3. Snel los te maken kraag
- 4. Ringvormige snijder en geleidepen (niet inbegrepen)
- 5. Magneetvoet
- 6. Magneetschakelaar



- 7. Motorschakelaar
- 8. Krukhendel
- 9. Koelvloeistof toevoer kraan
- 10. Koelvloeistof tank
- 11. Versnelling Selector
- 12. Chip Guard Kit



STANDAARD TOEBEHOREN

- * Moersleutel M8
- * L-Hex sleutel M2.5
- * L-Hex Sleutel M4
- * Chip Guard Kit
- * Kit koelvloeistofreservoir
- * Veiligheidsriem

OPTIONELE ACCESSOIRES

- * Chuck Adapter
- * 16 mm (5/8") klauwplaat & sleutel

ALGEMENE VEILIGHEIDSWAARSCHUWINGEN VOOR ELEKTRISCH GEREEDSCHAP



WAARSCHUWING Lees alle veiligheidswaarschuwingen, instructies, illustraties en specificaties die bij dit elektrische apparaat zijn geleverd. Het niet opvolgen van alle hieronder genoemde instructies kan resulteren in elektrische schokken, brand en/of ernstig letsel.

Bewaar alle waarschuwingen en instructies voor toekomstig gebruik.

De term "elektrisch apparaat" in de waarschuwingen verwijst naar uw elektrisch apparaat dat op netstroom werkt (met snoer) of op een accu (zonder snoer).

1) VEILIGHEID VAN DE WERKPLEK

- a. **Houd de werkplek schoon en goed verlicht.** Onoverzichtelijke of donkere zones nodigen uit tot ongelukken.
- b. **Gebruik geen elektrisch gereedschap in een explosieve omgeving, zoals in de aanwezigheid van ontvlambare vloeistoffen, gassen of stof.** Elektrisch gereedschap veroorzaakt vonken die het stof of de dampen kunnen doen ontbranden.
- c. **Houd kinderen en omstanders uit de buurt wanneer u een elektrisch apparaat bedient.** Afleiding kan ertoe leiden dat u de controle verliest.

2) ELEKTRISCHE VEILIGHEID

- a. **De stekkers van elektrisch gereedschap moeten overeenstemmen met die van het stopcontact. Wijzig de stekker op geen enkele manier.** Gebruik geen adapterstekkers in combinatie met geaarde elektrische gereedschappen. Niet-aangepaste stekkers en passende stopcontacten verminderen het risico op elektrische schokken.
- b. **Vermijd lichamelijk contact met geaarde of geaarde oppervlakken, zoals leidingen, radiatoren, fornuizen en koelkasten.** Er bestaat een verhoogd risico op elektrische schokken als uw lichaam geaard is.
- c. **Stel elektrische apparaten niet bloot aan regen of natte omstandigheden.** Als er water in een elektrisch apparaat komt, neemt het risico van elektrische schokken toe.
- d. **Misbruik het snoer niet. Gebruik het snoer nooit om het elektrische apparaat te dragen, eraan te trekken of het los te koppelen.** Houd het snoer uit de buurt van hitte, olie, scherpe randen of bewegende delen. Beschadigde of in de war geraakte snoeren verhogen het risico op elektrische schokken.
- e. **Wanneer u een elektrisch apparaat buitenshuis gebruikt, gebruik dan een verlengsnoer dat geschikt is voor gebruik buitenshuis.** Gebruik van een snoer dat geschikt is voor gebruik buitenshuis vermindert het risico van elektrische schokken.
- f. **Als het gebruik van een elektrisch apparaat in een vochtige omgeving onvermijdelijk is, gebruik dan een voeding met aardlekschakelaar (RCD).** Het gebruik van een aardlekschakelaar vermindert het risico van een elektrische schok.

3) PERSOONLIJKE VEILIGHEID

- a. **Blijf alert, kijk uit wat u doet en gebruik uw gezonde verstand wanneer u een elektrisch apparaat bedient. Gebruik geen elektrisch gereedschap als u moe bent of onder invloed van drugs, alcohol of medicijnen.** Een moment van onoplettendheid bij het bedienen van elektrisch gereedschap kan leiden tot ernstig persoonlijk letsel.
- b. **Persoonlijke beschermingsmiddelen gebruiken. Draag altijd oogbescherming.** Beschermende uitrusting zoals een stofmasker, niet-slippende veiligheidsschoenen, veiligheidshelm of

gehoorbescherming die onder de juiste omstandigheden worden gebruikt, zullen het aantal persoonlijke verwondingen verminderen.

- c. **Voorkom onbedoeld starten. Zorg ervoor dat de schakelaar in de uit-stand staat voordat u het apparaat aansluit op de stroombron en/of accu, oppakt of draagt.** Het dragen van elektrisch gereedschap met uw vinger op de schakelaar of het onder spanning zetten van elektrisch gereedschap met de schakelaar aan nodigt uit tot ongevallen.
- d. **Verwijder een stelsleutel of sleutel voordat u het elektrische apparaat aanzet.** Als een sleutel of sleutel aan een draaiend deel van het elektrische apparaat blijft hangen, kan dit persoonlijk letsel tot gevolg hebben.
- e. **Strek u niet te ver uit. Sta altijd stevig op uw benen en houd uw evenwicht.** Dit maakt een betere beheersing van het elektrische gereedschap in onverwachte situaties mogelijk.
- f. **Kleed u goed. Draag geen losse kleding of juwelen. Houd uw haar en kleding uit de buurt van bewegende delen.** Loszittende kleding, juwelen of lang haar kunnen in bewegende delen verstrikt raken.
- g. **Als er voorzieningen zijn om stof af te zuigen en op te vangen, zorg er dan voor dat deze zijn aangesloten en correct worden gebruikt.** Het gebruik van stofafzuiging kan stofgerelateerde gevaren verminderen.
- h. **Laat u niet verleiden tot zelfgenoegzaamheid en veronachtzaming van de veiligheidsprincipes, omdat u vertrouwd bent geraakt met het gereedschap dat u zo vaak gebruikt.** Een onvoorzichtige handeling kan binnen een fractie van een seconde ernstig letsel veroorzaken.

4) GEBRUIK EN ONDERHOUD VAN ELEKTRISCH GEREEDSCHAP

- a. **Forceer het elektrische apparaat niet. Gebruik het juiste elektrische apparaat voor uw toepassing.** Het juiste elektrische apparaat zal de klus beter en veiliger klaren met de snelheid waarvoor het ontworpen is.
- b. **Gebruik het elektrische apparaat niet als het niet met de schakelaar aan en uit kan worden gezet.** Elk elektrisch apparaat dat niet met de schakelaar kan worden bediend, is gevaarlijk en moet worden gerepareerd.
- c. **Trek de stekker uit het stopcontact en/of verwijder de accu, indien deze afneembaar is, uit het elektrische apparaat voordat u aanpassingen verricht, accessoires verwisselt of het elektrische apparaat opbergt.** Dergelijke preventieve veiligheidsmaatregelen verminderen het risico dat het elektrische apparaat per ongeluk wordt gestart.
- d. **Berg ongebruikte elektrische apparaten buiten het bereik van kinderen op en sta niet toe dat het elektrische apparaat wordt bediend door personen die niet bekend zijn met het elektrische apparaat of met deze instructies.** Elektrische gereedschappen zijn gevaarlijk in de handen van ongetrainde gebruikers.
- e. **Onderhoud elektrisch gereedschap en toebehoren. Controleer op onjuiste uitlijning of vastlopen van bewegende delen, op breuk van onderdelen en op andere omstandigheden die de werking van het elektrische apparaat kunnen beïnvloeden.** Indien beschadigd, laat het elektrische apparaat dan repareren voordat u het gebruikt. Veel ongelukken worden veroorzaakt door slecht onderhouden elektrische apparaten.
- f. **Houd snijgereedschap scherp en schoon.** Goed onderhouden snijwerktuigen met scherpe snijkanten zullen minder snel vastlopen en zijn gemakkelijker te controleren.
- g. **Gebruik het motorapparaat, de accessoires en de gereedschapsbits enz. in overeenstemming met deze handleiding, rekening houdend met de werkomstandigheden en de uit te voeren werkzaamheden.** Gebruik van het motorapparaat voor andere dan de beoogde werkzaamheden kan tot gevaarlijke situaties leiden.
- h. **Houd handgrepen en grijpvlakken droog, schoon en vrij van olie en vet.** Gladde handvatten en

grijpvlakken maken het niet mogelijk het gereedschap veilig te hanteren en te controleren in onverwachte situaties.

5) DIENST

Laat uw elektrische apparaat onderhouden door een gekwalificeerde reparateur die uitsluitend identieke vervangingsonderdelen gebruikt. Dit waarborgt dat de veiligheid van het elektrische apparaat gehandhaafd blijft.

Symbolen gebruikt in deze handleiding

Vvolt

Aampère

HZhertz

Wwatt

~wijselspanning

N₀onbelast toerental

min⁻¹ omwentelingen per minute



.....waarschuwing voor gevaar



..... met elektrische aarde



.....Lees deze handleiding



.....Draag altijd oogbescherming



.....Draag altijd stofmasker



.....Draag altijd oorbescherming



.....Draag veiligheidshelm



Elektrische gereedschappen, toebehoren en verpakkingen moeten op een voor het milieu verantwoorde wijze worden hergebruikt. Gooi elektrische gereedschappen niet bij het huisvuil.

IN DE HANDLEIDING GEBRUIKTE TERMINOLOGIE

- 1. Waarschuwing:** Deze term betekent dat er gevaar bestaat voor lichamelijk letsel of de dood voor de bediener of mensen in de buurt.
- 2. Voorzichtig:** Deze term betekent dat er gevaar bestaat voor beschadiging van de machine, het snijgereedschap of andere apparatuur.
- 3. Opmerking:** Deze termen bieden nuttige informatie met betrekking tot de werking van de machine of het onderhoud ervan.

VEILIGHEIDSWAARSCHUWINGEN VOOR BOREN

- a. De boormachine moet worden vastgezet.** Een boor die niet goed is vastgezet, kan verschuiven of omvallen en persoonlijk letsel veroorzaken.
- b. Het werkstuk moet worden vastgeklemd of vastgezet op de werkstuksteun. Boor geen stukken die te klein zijn om goed vastgeklemd te worden.** Het met de hand vasthouden van het werkstuk tijdens de bewerking kan leiden tot persoonlijk letsel.
- c. Draag geen handschoenen.** Handschoenen kunnen verstrikt raken in de draaiende delen of spaanders, wat kan leiden tot persoonlijk letsel.

- d. **Houd uw handen uit het boorgebied wanneer het gereedschap in werking is.** Contact met draaiende delen of spanen kan persoonlijk letsel tot gevolg hebben.
- e. **Zorg ervoor dat het accessoire draait voordat het in het werkstuk wordt gevoerd.** Anders kan het accessoire in het werkstuk vastlopen, wat kan leiden tot onverwachte beweging van het werkstuk en persoonlijk letsel.
- f. **Wanneer het accessoire is vastgelopen, stopt u met het uitoefenen van neerwaartse druk en schakelt u het gereedschap uit.** Onderzoek de oorzaak van het vastlopen en neem corrigerende maatregelen om deze op te heffen. Vastlopen kan leiden tot onverwachte beweging van het werkstuk en persoonlijk letsel.
- g. **Voorkom het ontstaan van lange spanen door de neerwaartse druk regelmatig te onderbreken.** Scherpe metaalspanen kunnen verstrikt raken en persoonlijk letsel veroorzaken.
- h. **Verwijder nooit spanen uit het boorgebied terwijl het gereedschap in werking is. Om spanen te verwijderen, beweegt u het accessoire weg van het werkstuk, schakelt u het gereedschap uit en wacht u tot het accessoire niet meer beweegt. Gebruik gereedschap zoals een borstel of een haak om spanen te verwijderen.** Contact met draaiende onderdelen of spanen kan leiden tot persoonlijk letsel.
- i. **Accessoires met toerentallen moeten een nominaal toerental hebben dat ten minste gelijk is aan het maximale toerental dat op het elektrische gereedschap is aangegeven.** Accessoires die sneller draaien dan hun nominale snelheid kunnen breken en uit elkaar vliegen.
- j. **Gebruik altijd de spaanbeschermingskit.**

SPECIFIEKE VEILIGHEIDSWAARSCHUWINGEN EN WAARSCHUWINGEN VOOR MAGNEETBOREN

- a. **Gebruik altijd een Veiligheidsriem.** Bevestiging kan loslaten.
- b. **WAARSCHUWING: Houd tijdens het gebruik alleen de zwengel vast en niet enig ander deel van de machine.** Als de hand op het apparaat wordt gelegd, kan dit leiden tot een elektrische schok in geval van een spanningslek of als het apparaat zijn eigen stroomkabel doorsnijdt.
- c. **Zorg er altijd voor dat het werkstuk minimaal 12 mm (7/16 in.) dik is. Is dit niet het geval, gebruik dan een stuk staalplaat van minstens 12 mm dik en groter dan de magneet, onder het werkstuk, om de magnetische hechting aan te vullen.** De hechting van de magneet is afhankelijk van de dikte van het werkstuk.
- d. **Bedien de machine niet op een werkstuk terwijl dit wordt gelast.** Dit kan leiden tot schade aan de machine en/of persoonlijk letsel.
- e. **Plaats de machine nooit op een werkstuk tussen de elektrode en de aarde van een booglasapparaat.** De stroom van het lasapparaat zal door de aarddraad in de stroomtoevoerkabel van de machine lopen en deze beschadigen.
- f. **Niet meer dan 90 graden ten opzichte van horizontaal.** Het is gevaarlijk om de boormachine ondersteboven te gebruiken.
- g. **Zorg er altijd voor dat de magneet schoon is en vrij van roest en aanslag.** Metaalspanen en ander vuil zullen de magnetische hechting belemmeren.
- h. **Gebruik het apparaat altijd alleen op de contactdoos.** Andere apparaten die op hetzelfde stopcontact worden gebruikt, kunnen ongelijke spanning veroorzaken, waardoor de magneet kan loslaten.
- i. **Zorg ervoor dat de magneet zich goed aan het werkstuk heeft gehecht voordat u begint met boren.** Een goede magneethechting is essentieel voor veilig boren.
- j. **Gebruik bij het boren van non-ferro (niet-magnetische) werkmaterialen alleen een door de fabrikant goedgekeurd hulpstuk, zoals een vacuüm basisadapter.** Het gebruik van accessoires die niet door de fabrikant zijn goedgekeurd, kan tot gevaarlijke situaties leiden.
- k. **Niet gebruiken met bot of beschadigd snijgereedschap.** Dit kan de motor overbelasten.

- l. Vermijd het gebruik van ringsnijders zonder snijvloeistof. Controleer altijd het vloeistofpeil voor u de machine bedient.** Ringfrezen hebben snijvloeistof nodig voor een goede werking en een lange levensduur.
- m. Bescherm de motor. Laat nooit snijvloeistof, water of andere verontreinigingen in de motor terechtkomen.** Dit kan leiden tot elektrische schokken of schade aan de motor.
- n. Bij het boren van gestapeld werk materiaal moet u altijd stoppen om de slak op te ruimen nadat de eerste laag is geboord.** De losse slak zal het boren bemoeilijken.
- o. LET OP: Gebruik de machine nooit met een verkeerde stroomsterkte of een abnormaal lage spanning.** Een verkeerde spanning kan leiden tot motorschade.
- p. Deze machine is niet bedoeld voor gebruik in een productielijn.**

MAGNET BASE DUTY CYCLE

Laat de magneetbasis niet langer dan 60 minuten continu ingeschakeld. Als de magneetvoet oververhit is, laat hem dan 30 minuten afkoelen voordat u verdergaat.

WAARSCHUWING: Schakel de magneetvoet uit als u hem niet gebruikt. Als u de magneetvoet continu aan laat, zal deze beschadigd raken.

ASSEMBLAGE

De koelvloeistoftank moet worden gemonteerd. Bevestig eerst de doorzichtige buis aan de onderkant van de koelvloeistoftank. Draai hiertoe eerst de moer los en schuif de moer op de buis. Schuif vervolgens de slang op de nippel. Draai vervolgens de moer vast. Schuif de tankhaak over de schroef rechtsboven op de schuif en zet hem vast. Steek tenslotte het andere uiteinde van de buis in de snelkoppeling in de versnellingsbak. Gewoon direct indrukken om te installeren. **(Om te verwijderen, eerst de rode kraag van de connector stevig indrukken en de buis eruit trekken).** Bij gebruik van ringfrezen is altijd koelvloeistof nodig. Open het deksel van de tank en vul hem. Controleer regelmatig het peil van de koelvloeistof. Houd de koelvloeistofkraan gesloten wanneer deze niet wordt gebruikt.

Er moet een spaanplaat worden gebruikt. Om de spaanbeschermer te bevestigen, gebruikt u de bijgeleverde vleugelbouten om aan de magneet te bouten. Het is niet nodig de beschermer te verwijderen om de spanen schoon te maken. Zet de beschermer gewoon in zijn bovenste stand.

De veiligheidsriem moet worden gebruikt. Lus de band om het werkstuk, voer de band door het handvat van het elektrische gereedschap en trek de band aan met het ratelmechanisme.

MONTAGE RINGVORMIGE FREZEN

LET OP: Gebruik nooit een snijgereedschap dat groter is dan de maximale nominale capaciteit van de machine.

Snelopener type as:

1. Duw de snelsluitring omhoog en hij zal open vergrendelen. Plaats de cutter met de geleidepen en draai de cutter totdat de platte pen de vergrendelingspen raakt. Wanneer de platte kant de borgpen raakt, zal de kraag naar beneden klikken en zichzelf vergrendelen.



Controleer dubbel om er zeker van te zijn dat hij volledig vergrendeld is.

2. Controleer of de olietoevoer kraan open staat en de koelvloeistof goed wordt toegevoerd door op de geleidepen te duwen. Als de toevoer te snel of te langzaam gaat, moet de kraan worden bijgesteld. Houd het kraantje gesloten wanneer het niet in gebruik is.

VERSNELLINGSBAK KEUZE

Voor het boren kiest u de gewenste versnelling door eerst in te drukken op de verende schuifschakelaar van de versnellingskeuzeschakelaar en schuift vervolgens de keuzeschakelaar omhoog voor hoge snelheid of omlaag voor lage snelheid. (Het kan nodig zijn de as iets te draaien om de tandwielen goed in elkaar te laten grijpen). Volg de aanbevolen snelheidsbereiken op de snijsnelheidstabel om de juiste snelheid en versnelling in te stellen.



2 VERSNELLINGEN TABEL

GEAR	GEEN LADING min ⁻¹	VOLLEDIGE LADING min ⁻¹	MAAIERGROOTTE
1	380	230	40~65 mm (1-9/16" tot 2-9/16")
2	550	330	40 mm (1-9/16") of minder

OPMERKING: Deze snelheden zijn slechts algemene aanbevelingen. De werkelijke snelheden moeten worden bepaald door het materiaal en de snijsnelheid die door de fabrikant van het snijgereedschap wordt aanbevolen. Zie de sectie hieronder "AANBEVOLEN Zaagsnelheden" en gebruik de formule om het beste toerental te berekenen.

LET OP: Zorg ervoor dat de versnellingen volledig vastklikken.

LET OP: Zorg er **ALTIJD** voor dat de machine volledig stilstaat voordat u probeert te schakelen! Verander **NOOIT** van versnelling op een draaiende machine!

OPERATIE-ALGEMEEN

WAARSCHUWING: Zorg er altijd voor dat de magneet goed op het werkstuk is bevestigd voordat u begint met boren.

OPMERKING: Bij montage op een balk met gebogen oppervlak moet de machine parallel aan de kromming in het werkstuk worden gemonteerd.

WAARSCHUWING: Vermijd werken onder een hoek van meer dan 90 graden ten opzichte van horizontaal. Wanneer onder een dergelijke hoek wordt geboord, moeten voorzorgsmaatregelen worden genomen om te voorkomen dat koelvloeistof in de motor terecht komt. Gebruik koelvloeistof van het pastatype.

1. Plaats eerst het snijgereedschap in de houder en lijn het uit met het midden van de snede. Zet dan de magneet aan.

2. Druk op de groene motor aan knop om de motor te starten. Gebruik de slinger om naar het werk te voeren. Gebruik altijd zeer lichte druk bij het begin van de snede en net op het moment dat het gereedschap doorbreekt. De zwengel biedt een enorme hefboomwerking; gebruik dus niet te veel kracht. Laat het snijgereedschap het tempo bepalen. Met ervaring zal de bediener in staat zijn om het beste tempo te bepalen om het werk aan te voeren. Er moet een zekere mate van hoorbare vertraging van de motor zijn, maar de snede mag niet vastlopen. De juiste snijsnelheid met een goed scherpe ringvormige frees zal lange ononderbroken spanen opleveren, die een "vogelnest" vormige bundel spanen rond de snede produceren.



OPMERKING: Zorg er altijd voor dat het snijgereedschap scherp is. Een botte frees heeft meestal fijnere en/of hakkerige snippers.

WAARSCHUWING: Ruim ALTIJD de spanen op als er te veel spanen zijn opgestapeld. Een te grote spaanafzetting kan leiden tot een vastgelopen frees of een andere gevaarlijke situatie.

WAARSCHUWING: de kogel wordt aan het einde van de snede uitgeworpen en is zeer heet. Zorg altijd voor een manier om de slak op te vangen, waar de uitgeworpen slak verwondingen kan veroorzaken aan personen onder u.

Opmerking: Vergrendel de sledevergrendeling aan de zijkant van de machine in de volledig gegeven stand wanneer de machine in rust is, om te voorkomen dat de slede per ongeluk omlaag klapt - vergeet niet de sledevergrendeling weer te ontgrendelen voordat u begint met boren.

LET OP: Probeer nooit halve cirkels te snijden of te stikken (overlappende gaten boren) met een TCT frees. Dit kan de frees vernielen.

LET OP: Probeer nooit een half afgewerkte snede opnieuw in te voeren als de magneet is uitgeschakeld en de machine in de tussentijd is verplaatst. Dit kan de snijplotter vernielen.

TWEELING BOREN

Indien draaiboren gewenst zijn, moet de houder van de houder verwijderd worden door de drie inbusbouten te verwijderen. Vervolgens moeten een optionele klauwplaatadapterhouder en klauwplaat worden gemonteerd. Volg de speciale instructies hieronder om de houder van de as te vervangen. (Alleen voor modellen met 1 snelheid en 2 snelheden).

Vervanging van de steunbeugel

1. Plaats de steunbeugel terug en draai de 3 zeskantbouten slechts handvast aan (zorg ervoor dat het naaldlager schoon en voldoende ingevet is).
2. Vervang de ringvormige freesas.

WAARSCHUWING: vermijd uiterst voorzichtig contact met de draaiende as!

3. Controleer tweemaal om er zeker van te zijn dat de slag nergens bindt.



4. Draai de 3 bouten vast.

ONDERHOUD

Blaas om de 50 bedrijfsuren perslucht door de motor terwijl deze onbelast draait om het opgehoopte stof te verwijderen. (Voer deze handeling vaker uit als u onder bijzonder stoffige omstandigheden werkt).

1. Houd de machine schoon en vrij van spaanders.
2. Controleer op losse fittingen en zet ze zo nodig vast.
3. Zorg ervoor dat de ventilatiesleuven vrij zijn, zodat de motor normaal kan worden gekoeld. Blaas perslucht onder lage druk door de ventilatiesleuven terwijl de motor draait om de motor schoon te houden.

DE AS VAN HET GEREEDSCHAP

Houd de as van de aandrijfas vrij van vuil en smeer hem indien nodig licht in. Als het lager van de assteun lawaai maakt, kan het vuil zijn of er kan een spaan in vastzitten. Verwijder de as van de aandrijfas om het lager schoon te maken en opnieuw te smeren.

DE GIBS (ZWALUWSTAART GELEIDERS)

Als de gibes te los zitten, moeten ze worden bijgesteld. Om ze af te stellen, draait u de borgmoeren los en stelt u de stelschroeven gelijkmatig in terwijl u de handgreep op en neer beweegt. Stel zo af dat er geen speling is, maar wel ergens in het bereik van de beweging. Draai vervolgens de borgmoeren weer vast. Periodiek controleren, smeren en indien nodig bijstellen.



DE KOOLBORSTELS

De koolborstels zijn een normaal slijtageonderdeel en moeten worden vervangen wanneer zij hun slijtagegrens bereiken.

Let op: Vervang de borstels altijd als een paar.

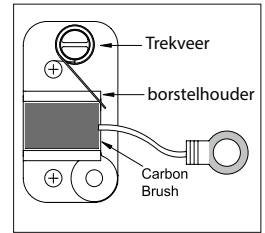
Om te vervangen

1. Verwijder de 4 schroeven en verwijder de motorkap.
2. Draai met een tang de borstelveer uit de weg en schuif de oude koolborstel uit de borstelhouder.
3. Draai de schroef los om de borstellood te verwijderen. De oude koolborstel kan nu worden opgetild.
4. Installeer een nieuwe borstel. De montage is het omgekeerde van de demontage.
5. Plaats de motorkap terug.



AUTO STOP KOOLBORSTEL

Dankzij de nieuwe automatische koolborstelstop moeten de koolborstels gecontroleerd worden als de machine zonder enige reden tot stilstand komt. De automatische functie stopt de machine voordat de koolborstels klaar zijn en beschermt de motor.



MAGNEET OPLOSSEN VAN PROBLEMEN

Een goede werking van de magneet is absoluut noodzakelijk voor de werking van de magneetboormachine. Als de magneet werkt, maar niet goed houdt, is het waarschijnlijk dat een van de spoelen heeft gefaald. Als de magneet helemaal niet werkt, is het waarschijnlijk een mislukte gelijkrichter. (Het is hoogst onwaarschijnlijk dat beide magneetspoelen tezelfdertijd zouden ontbreken)

OPMERKING: Een defecte magneetspoel kan ook de gelijkrichter beschadigen, dus wanneer er een magneetprobleem is, moeten ALLEEN de magneetspoelen en de gelijkrichter worden gecontroleerd.

WAARSCHUWING: Probeer nooit een magneetboormachine te bedienen met een defecte magneet!

CONTROLE VAN DE MAGNET (alleen gekwalificeerde technici)

Als de magneet niet goed werkt, moet hij worden gecontroleerd. Scheid de draden van elke afzonderlijke spoel en test de weerstand van elke spoel afzonderlijk. (Merk op dat 110V modellen parallel worden bedraad en 230V modellen in serie) De weerstand van de spoelen van verschillende maten magneten varieert, maar moet in de buurt van de honderden ohms liggen. Het belangrijkste is dat beide spoelen nagenoeg dezelfde weerstand hebben. Als een van de spoelen nul weerstand heeft, betekent dit dat hij kortgesloten is. Als een van de spoelen een oneindige weerstand heeft, betekent dit dat het circuit is verbroken. Als een van beide spoelen een probleem heeft, moet de magneet worden vervangen. Een defecte magneet kan ook schade aan de gelijkrichter veroorzaken. Controleer ook de gelijkrichter wanneer u een defecte magneet vervangt. (zie hieronder)

CONTROLE VAN HET RECTIFIER (Alleen gekwalificeerde technici)

De gelijkrichter zet de huishoudstroom om in gelijkstroom om de magneet van stroom te voorzien. Als de gelijkrichter uitvalt, krijgen de magneetspoelen geen stroom. Koppel de gelijkrichter los en test de weerstand van beide circuits van de gelijkrichter tussen de wisselstroom- en de gelijkstroomzijde. Merk op dat de polariteit van belang is, dus u kunt alleen een meting verrichten als de testsondes juist georiënteerd zijn. Elke zijde zal het tegenovergestelde zijn van de andere. Beide circuits moeten nagenoeg dezelfde weerstandswaarde hebben. Als één van de circuits nul weerstand heeft, betekent dit dat er kortsluiting is. Als een van de circuits een oneindige weerstand heeft, betekent dit dat het circuit is verbroken.

Indien het netsnoer moet worden vervangen, dient dit door de fabrikant of diens gemachtigde te worden gedaan om veiligheidsrisico's te voorkomen.

WAARSCHUWING: Alle reparaties moeten worden toevertrouwd aan een erkend servicecentrum. Onjuist uitgevoerde reparaties kunnen leiden tot letsel of de dood.

