

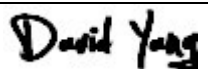
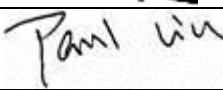


Test Report issued under the responsibility of:



TEST REPORT IEC 62841-2-1 Electric motor-operated hand-held tools, transportable tools and lawn and garden machinery - Safety - Part 2-1: Particular requirements for hand-held drills and impact drills	
Report Number :	6123709.50A
Date of issue :	2022-01-28
Total number of pages	86 pages
Name of Testing Laboratory preparing the Report	DEKRA Testing and Certification (Shanghai) Ltd. 3F., #250 Jiangchangsan Road Building 16 Headquarter Economy Park Shibe Hi-Tech Park, Jing'an District Shanghai 200436 China
Applicant's name	LEE YEONG INDUSTRIAL CO., LTD.
Address :	No.2, Kejia Rd., Douliu City, Yunlin County 64057, Taiwan
Test specification:	
Standard	IEC 62841-2-1:2017 in conjunction with IEC 62841-1:2014, COR1:2014
Test procedure	CB Scheme
Non-standard test method	N/A
TRF template used :	IECEE OD-2020-F1:2020, Ed.1.3
Test Report Form No.	IEC62841_2_1C
Test Report Form(s) Originator :	TÜV Rheinland Intercert Kft., MEEI Division
Master TRF	2020-12-04
Copyright © 2020 IEC System of Conformity Assessment Schemes for Electrotechnical Equipment and Components (IECEE System). All rights reserved. This publication may be reproduced in whole or in part for non-commercial purposes as long as the IECEE is acknowledged as copyright owner and source of the material. IECEE takes no responsibility for and will not assume liability for damages resulting from the reader's interpretation of the reproduced material due to its placement and context. If this Test Report Form is used by non-IECEE members, the IECEE/IEC logo and the reference to the CB Scheme procedure shall be removed. This report is not valid as a CB Test Report unless signed by an approved IECEE Testing Laboratory and appended to a CB Test Certificate issued by an NCB in accordance with IECEE 02.	
General disclaimer:	
The test results presented in this report relate only to the object tested. This report shall not be reproduced, except in full, without the written approval of the Issuing NCB. The authenticity of this Test Report and its contents can be verified by contacting the NCB, responsible for this Test Report.	

<p>Test item description..... :</p>	<p>Diamond core drill</p>
<p>Trade Mark..... :</p>	<p>AGP</p>
<p>Manufacturer :</p>	<p>LEE YEONG INDUSTRIAL CO., LTD. No.2, Kejia Rd., Douliu City, Yunlin County 64057, Taiwan</p>
<p>Model/Type reference..... :</p>	<p>DM51P; DM51D; DME51P; DMC51P; DME51D; DMC51D; TD5W; EVP21; KDMM1800; KDMM160; KDB-100A; MDB-100P; EVO19-DDSI; DCD52; DM2; CD2; CD21; CD50; CD501; DM21; DM50; DM501; DM2P; DM21P; DM50P; DM501P; DML51D; DML51P; A-1815; QDD-160; DM5P; DM5D; DML52D; DML52P; EVO18-DDSI; CB515; PRO CD182-S; 57041; 57045; DM2D; DM21D; DM50D; DM501D; MT-12S</p>
<p>Ratings..... :</p>	<p>DM51P; DM51D; DME51P; DMC51P; DME51D; DMC51D; DML51D; DML51P; TD5W; EVP21; A-1815; QDD-160: 110-120 V or 220-240 V; 50-60 Hz; 1800 W; n₀=3600 min⁻¹; Class II</p> <p>DM52P; DM52D; DME52P; DMC52P; DME52D; DMC52D; DM5P; DM5D; DML52D; DML52P; SD17P; KDMM1800; KDMM160; KDB-100A; MDB-100P; MDB-100A; EVO18-DDSI; DCD52; CB515; PRO CD182-S; 57041; 57045: 110-120 V or 220-240 V; 50-60 Hz; 1800 W; n₀=1800/3600 min⁻¹; Class II</p> <p>DM2; CD2; CD21; CD50; CD501; DM21; DM50; DM501; DM2P; DM21P; DM2D; DM21D; DM50P; DM50D; DM501P; DM501D; MT-12S: 110-120 V or 220-240 V; 50/60 Hz; 1800 W; n₀=6500 min⁻¹; Class II</p>

Responsible Testing Laboratory (as applicable), testing procedure and testing location(s):		
<input checked="" type="checkbox"/>	CB Testing Laboratory:	DEKRA Testing and Certification (Shanghai) Ltd.
Testing location/ address.....:		3F., #250 Jiangchangan Road Building 16 Headquarter Economy Park Shibe Hi-Tech Park, Jing'an District Shanghai 200436 China
Tested by (name, function, signature).....:		David Yang 
Approved by (name, function, signature)....:		Paul Liu 
<input type="checkbox"/>	Testing procedure: CTF Stage 1:	
Testing location/ address.....:		
Tested by (name, function, signature).....:		
Approved by (name, function, signature)....:		
<input type="checkbox"/>	Testing procedure: CTF Stage 2:	
Testing location/ address.....:		
Tested by (name + signature).....:		
Witnessed by (name, function, signature) ..:		
Approved by (name, function, signature)....:		
<input type="checkbox"/>	Testing procedure: CTF Stage 3:	
<input type="checkbox"/>	Testing procedure: CTF Stage 4:	
Testing location/ address.....:		
Tested by (name, function, signature).....:		
Witnessed by (name, function, signature) ..:		
Approved by (name, function, signature)....:		
Supervised by (name, function, signature) :		

<p>List of Attachments (including a total number of pages in each attachment):</p> <ul style="list-style-type: none"> - 6123709.50A covering IEC 62841-1; IEC 62841-2-1 and pictures (total 86 pages) - 6123709.50B covering EU group differences to IEC 62841-1 (total 8 pages) - 6123709.50C covering EU group differences to IEC 62841-2-1 (total 3 pages) 	
<p>Summary of testing:</p> <p>The tool tested passed all examinations of the applied standards mentioned "Test specification" and "General remarks".</p>	
<p>Tests performed (name of test and test clause):</p> <p>All appl. clauses of the standard have been done at CBTL.</p>	<p>Testing location:</p> <p>DEKRA Testing and Certification (Shanghai) Ltd. 3F., #250 Jiangchangsan Road Building 16 Headquarter Economy Park Shibei Hi-Tech Park, Jing'an District Shanghai 200436 China</p>
<p>Summary of compliance with National Differences (List of countries addressed):</p> <p>This tool is tested to and complies with EN 62841-1:2014 and EN 62841-2-1:2018+A11:2019, thus complying with the EU group differences.</p> <p>Noise level: L_{pA}: 88,0 dB (A) L_{WA}: 99,0 dB (A) $K = 5$ dB (A) Vibration level: $a_{h,DD} = 11,8$ m/s² $K = 1,5$ m/s² Test performed at highest speed set on type DM52D with 80 mm core bit as worst case.</p> <p>Noise level: L_{pA}: 89,5 dB (A) L_{WA}: 100,5 dB (A) $K = 5$ dB (A) Vibration level: $a_{h,DD} = 7,7$ m/s² $K = 1,5$ m/s² Test performed at highest speed set on type DM2 with 50 mm core bit as worst case.</p>	
<p>Copy of marking plate:</p> <p>The artwork below may be only a draft. The use of certification marks on a product must be authorized by the respective NCBs that own these marks.</p>	





Test item particulars: Drill	
Classification of installation and use: Class II	
Supply Connection: Type Y	
.....:	
Possible test case verdicts:	
- test case does not apply to the test object.....: N/A	
- test object does meet the requirement.....: P (Pass)	
- test object does not meet the requirement.....: F (Fail)	
Testing:	
Date of receipt of test item: 2022-01-07	
Date (s) of performance of tests: 2022-01-07 to 2022-01-28	
General remarks:	
"(See Enclosure #)" refers to additional information appended to the report. "(See appended table)" refers to a table appended to the report.	
Throughout this report a <input checked="" type="checkbox"/> comma / <input type="checkbox"/> point is used as the decimal separator.	
Applied standard:	
IEC 62841-1:2014	IEC 62841-2-1:2017
EN 62841-1:2015	EN 62841-2-1:2018+A11:2019
Manufacturer's Declaration per sub-clause 4.2.5 of IEC60060-2:	
The application for obtaining a CB Test Certificate includes more than one factory location and a declaration from the Manufacturer stating that the sample(s) submitted for evaluation is (are) representative of the products from each factory has been provided	<input type="checkbox"/> Yes <input checked="" type="checkbox"/> Not applicable
When differences exist; they shall be identified in the General product information section.	
Name and address of factory (ies): LEE YEONG INDUSTRIAL CO., LTD. No.2, Kejia Rd., Douliu City, Yunlin County 64057, Taiwan	

General product information and other remarks:

All models share the same construction and components except the shape of the handle and the gear ratio adjustable device are different.

This machine is for the intended purpose of diamond core drilling of concrete, masonry, stone and similar materials. It is equipped with a water feed system which is required for the diamond core drilling process. It is equipped with a PRCD interrupter (portable residual current device) which must be used at all times.

See following table for the difference between all the models:

Models	Speed adjustable	Shape of main handle
DM51P; DME51P; DMC51P; DM2; CD2; CD21; CD50; CD501; DM21; DM50; DM501; DM2P; DM21P; DM50P; DM501P; DML51P; DM5P	No	P type
DM51D; DME51D; DMC51D; DML51D; DM5D; DM2D; DM21D; DM50D; DM501D	No	D type
TD5W; EVP21; 57041; 57045; MT-12S	No	P type or D type
DM52P; DME52P; DMC52P; MDB-100P; DML52P	Yes	P type
DM52D; DME52D; DMC52D; EVO18-DDSI; DCD52; DML52D	Yes	D type
SD17P; KDMM1800; KDMM160; KDB-100A; A-1815; QDD-160; EVO18-DDSI; CB515; PRO CD182-S	Yes	P type or D type

IEC 62841-2-1			
Clause	Requirement + Test	Result - Remark	Verdict
5	GENERAL CONDITIONS FOR THE TESTS		
5.1	General test conditions in this clause apply unless otherwise specified in this standard		P
5.2	Tests made on separate samples		P
	At manufacturer's discretion, fewer samples used		P
	Cumulative stress from successive tests on electronic circuits avoided		P
	Several tests conducted on a single sample, results not affected by previous tests.		P
5.3	Evident from construction of the tool that a particular test(s) not applicable, test(s) not made		N/A
5.4	Tests carried out with the tool and/or any movable part of it		P
	Tool placed in the most unfavourable position that may occur in normal use.		P
5.5	Tools provided with controls or switching devices and setting can be altered by the user, controls or devices adjusted to their most unfavourable settings		P
	Electronic speed control devices set at their highest speed		N/A
	Adjusting means accessible without the aid of a tool, this subclause applies whether the setting can be altered by hand or with the aid of a tool. Adjusting means not accessible without the aid of a tool and setting is not intended to be altered by the user, this subclause does not apply.		N/A
	Adequate sealing prevents alteration of setting by user		N/A
5.6	Tests conducted in a draught-free location, and unless otherwise specified, in (20 ± 5) °C		P
	Tests conducted at (23 ± 2) °C due to temperature limited temperature sensitive device		N/A
5.7.1	Tools for a.c. only, tested with a.c. at rated frequency, if marked		P
	Tools marked for a.c./d.c., tested with the most unfavourable supply		N/A
	Tools for a.c. not marked with rated frequency, or marked 50-60 Hz or 50/60 Hz, tested with either 50 Hz or 60 Hz, whichever is the most unfavourable		P
	Tools with series motors only, either frequency may be used		P
5.7.2	Tool rated for more than one rated voltage or a voltage range, tested at the highest voltage (V)	240 V 120 V	P

IEC 62841-2-1			
Clause	Requirement + Test	Result - Remark	Verdict
5.7.3	Tools where there is no marked Rated current not marked, tests that require a value for rated current conducted at current measured rated input at the lowest rated voltage or the lower value of the rated voltage range		N/A
5.8	Alternative heating elements or attachments which are made available for the tool by manufacturer, tool is tested with those heating elements or attachments which give the most unfavourable results		N/A
5.9	Tools are tested with the specified flexible supply cord connected to the tool.		P
5.10	Class I tool has accessible parts not connected to an earthing terminal or earthing contact, and not separated from live parts by an intermediate metal part connected to an earthing terminal/contact, such parts are checked on requirements for class II construction.		N/A
5.11	Class I tool or class II tool having parts operating at safety extra-low voltage, such parts on requirements specified for class III tools		N/A
5.12	When testing electronic circuits, supply is free from perturbations from external sources that can influence the results of the tests		P
5.13	Heating element, if any, cannot be operated unless the motor is running, element is tested with the motor running		N/A
	Heating element, if any, can be operated without the motor running, element is tested with or without the motor running, whichever is the more unfavourable		N/A
	Heating elements incorporated in the tool connected to a separate supply unless otherwise specified		N/A
5.14	For attachments performing a function within the scope of IEC 62841-2, IEC 62841-3 or IEC 62841-4, tests made in accordance with IEC 62841-2, IEC 62841-3 or IEC 62841-4.		P
5.15	Method of torque loading chosen so as to avoid additional stresses, such as by side thrust.		P
	Additional loads necessary for the correct operation of the tool considered.....:		N/A
	Brake used for loading, load applied gradually		P
	Modification of output means for purpose of loading permitted to allow connection to brake		P
5.16	Tools intended for SELV tested using a supply transformer intended to be used with the tool.		N/A
5.17	For requirements based on the mass of the tool, the mass is determined without supply cord and without tool bits or accessories, but with all equipment and attachments needed for normal use		P

IEC 62841-2-1			
Clause	Requirement + Test	Result - Remark	Verdict
	Required accessories, equipment and attachments as given in the relevant part of IEC 62841-2, IEC 62841-3 or IEC 62841-4.		P
	If tools has more accessories, equipment or attachments heaviest configuration shall be used to determine mass.		N/A
5.17	A The mass of the tool includes the drill chuck and the auxiliary handle, if any.		P
5.18	For linear and angular dimensions, ISO 2768-1, class "c" applicable, unless tolerances are specified.		P
5.19	All electrical measurements made with a maximum measurement error of 5 %.		P
	Instruments for measuring voltage have input resistance $\leq 1 \text{ M}\Omega$ and parallel capacitance $\geq 25 \text{ pF}$.		P
5.20	Thermal equilibrium considered achieved when the total deviation of three successive temperature readings, taken at 3 min intervals, is $\leq 4 \text{ K}$		P
	Induction motor, measurement time of 1 hour is considered sufficient.		N/A

6	RADIATION, TOXICITY AND SIMILAR HAZARDS		
6.1	No harmful radiation, no toxic or similar hazard		P
6.2	For tool with laser to indicate a cutting line or the like, laser class 2M or lower according to IEC 60825-1:2007.		N/A
	Tool marked with symbol(s) as in of IEC 60825-1:2007 for the relevant laser class.		N/A
6.3	Tool fitted with non-coherent light sources, users of tools are cautioned as to the risk of potential photo-biological harm, if such harm exist		N/A
6.3.1	Visible light indicators (pilot lamps) and Infrared sources used for signalling and communication considered to have no risk of photo-biological harm, no marking required.		N/A
6.3.2	Tools emitting visible light from electroluminescent, incandescent or LED sources, considered to be for short term, non-general light services use where exposure is both incidental and intermittent		N/A
	Marked with either: – "CAUTION Do not stare at operating lamp", or – symbol 60417-6041(2010-08)		N/A
	If no reasonable risk of harm, markings may be omitted		N/A

IEC 62841-2-1			
Clause	Requirement + Test	Result - Remark	Verdict
	No reasonable risk of harm considered, as either a) light emission at a distance of 200 mm along any direction of the tool < 500 Lux; or b) luminance light emission < 10 000 cd/m ² in the range of visible light; or c) light source (if not focused by external optics) is in Risk Group 1 or lower evaluated by the methods of IEC 62471; or d) tool itself evaluated by the methods of IEC 62471 and found to be in Risk Group 1 or lower.		N/A
6.3.3	For light derived by sources other than those mentioned in 6.3.2, product evaluated by the methods of IEC 62471, markings guided by 5.4 of IEC/TR 62471-2:2009.		N/A

7 CLASSIFICATION			
7.1	Tool is Class I, II, or III with respect to protection against electric shock..... :	Class II	P
7.2	Degree of protection against harmful ingress of water per IEC 60529 :		N/A
	Required degree of protection other than IPX0 specified in relevant part of IEC 62841-2, IEC 62841-3 or IEC 62841-4 :		N/A

8 MARKINGS AND INSTRUCTIONS			
8.1	Tool marked with rated voltage(s) or rated voltage range(s) (V) :	110-120 V 220 V-240 V	P
	Tool for star-delta connection clearly marked with the two rated voltages (e.g. 230 Δ / 400 Y V) :		N/A
	Tool complying with this standard for a voltage range, may be marked with any single voltage or smaller voltage range within that range (V) :		N/A
	Symbol for nature of supply or rated frequency or frequency range. The symbol for nature of supply placed next to rated voltage (Hz) :	50-60 Hz	P
	Rated input or current marked (W or A) :	110-120 V :1800 W 220-240 V :1800 W	P
	Tool has alternative components to be selected by a control device, rated input or rated current is that corresponding to the highest rated input or rated current		N/A
	Class II symbol for class II tools :	See label	P
	IP number other than IPX0 :	-	N/A
8.1	A Drills and impact drills are marked with the following:		P

IEC 62841-2-1			
Clause	Requirement + Test	Result - Remark	Verdict
	Rated no-load speed	See label	P
8.1.1	Tools with range of rated values (e.g. voltage, frequency) can be operated without adjustment over the range, marked with the lower and upper limits of the range separated by a hyphen, e.g. 115-230 V.:		P
	Different rated values to be adjusted by the user / installer, tool marked with the these values separated by an oblique stroke, e.g. 115/230 V		N/A
8.1.2	Upper and lower limits of rated power input marked,		N/A
	unless difference between upper and lower limits of rated voltage range do not exceed 20 % of the mean value, in which case the rated input is related to mean value of voltage range.		P
8.2	Tool marked with - "WARNING – To reduce the risk of injury, user must read instruction manual", or - sign M002 of ISO 7010 ⁸), or - appropriate symbol, see relevant part of IEC 62841-2, IEC 62841-3 or IEC 62841-4	M002 of ISO 7010	P
	"WARNING" in capital letters not less than 2,4 mm high, not separated from either the cautionary statement or the symbol ISO 7000-0434A or ISO 7000-0434B		N/A
	Statement verbatim except that "operator's manual" or "user guide" may replace "instruction manual".		N/A
	Additional symbols in accordance with ISO 7010 or designed in accordance with ISO 3864-2/3864-3...:		N/A
	Cautionary statements having the same signal word such as "WARNING" may be combined into one paragraph under one signal word.		N/A
	Order of statements: markings required by Part 1, markings required by part of IEC 62841-2, IEC 62841-3 or IEC 62841-4 and then any optional markings		N/A
8.3	Business name and address of manufacturer, at least country or state, city and postal code.....:	See label	P
	Business name and address of authorized representative, at least country or state, city and postal code		N/A
	Designation of the tool (may be coded)	See label	P
	Designation coded, code explained in the instructions		P
	Designation of series or type	See label	P
	Year of manufacture and a date code identifying at least the month of manufacture.....:	See label	P

IEC 62841-2-1			
Clause	Requirement + Test	Result - Remark	Verdict
	Tools parts shipped separately for assembly by the end user, each part marked for identification on the part or the package		N/A
	"> 25 kg" if the mass of the tool is over 25 kg		N/A
	No misunderstanding through additional markings		N/A
8.3	A Chucks of drills and impact drills are marked with the maximum capacity of the chuck	Max. core Ø80 mm for DM5XX Max. core Ø50 mm for DM2	N/A
8.4	Markings of 8.1 to 8.3 not on detachable part of the tool		P
	Markings of 8.2 and 8.3 clearly discernible from outside the tool		P
	Markings other than symbols, fold-over label on power cords used (Y or Z attachments only).		N/A
	Other markings may be visible after removing cover		N/A
	Indications for switches and controls placed on or in vicinity of components		P
	Not placed on parts which can be repositioned		P
	Not positioned such that making the marking is misleading		P
8.5	Tool can be adjusted to suit different rated voltages, change in voltage clearly discernible		N/A
	Correct Wiring diagram fixed to tool, may be on inside of a cover but not on a label loosely attached to the tool		N/A
8.6	Use of correct units		P
	Use of correct symbols		P
	Additional symbols explained in the instructions, no misunderstanding		P
	Other units and their symbols belong to the international standardized system.		P
	Other units and their symbols same as international standardised system	CE and WEEE symbols	P
8.7	Connection diagram affixed to tool with more than two supply conductors, unless terminals clearly identified		N/A
	The earthing conductor not a supply conductor		N/A
	Wiring diagram indicates how the windings are to be connected for tools for star-delta connection		N/A
8.8	Terminals, except for type Z attachments , marked on non-removable part with specified symbols:		—
	- Terminal exclusively for neutral connection marked with "N"		N/A

IEC 62841-2-1			
Clause	Requirement + Test	Result - Remark	Verdict
	- Earthing terminal marked with symbol IEC 60417-5019 (2006-08)		N/A
	The markings not placed on screws, removable washers or other parts which might be removed		N/A
8.9	Switches which may result in a hazard marked or placed to indicate which part of tool they control		N/A
8.10	"Off" position of multi stable power switch indicated by figure O (symbol of IEC 60417-5008 [2002-10])		N/A
	A momentary power switch which can be locked in the "on" position is not considered as a multi-stable switch.		N/A
	Push-buttons for "off" function only, figure O used, button coloured red or black		N/A
	Figure O not used for any other indication		P
	Transportable tools, power switch actuator or cover not coloured yellow and red as specified for emergency stop according to ISO 13850.		N/A
	Flap/cover covers only the start button, colour of the flap/cover not black, red or yellow		N/A
8.11	Control devices adjusted during operation and the like provided with markings as specified, unless...		N/A
	... fully "on" position opposite to "off" position		N/A
	Figures used for different positions with O for "off" position, and figures reflecting greater output for other positions		N/A
	Indication for different positions placed on the device itself, or adjacent to the operating means		N/A
8.12	Markings easily legible		P
	Markings withstood durability test: - 15 s with water soaked cloth - 15 s with petroleum spirit soaked cloth		P
	Signs are in contrast to their background, clearly legible from a distance of not less than 500 mm		P
	Effect of normal use taken into account		P
	Adhesive backing durable, meets requirements of UL 969 or...	UL 969	P
	... withstands specified tests		N/A
8.13	Thermal link or fuse-link, reference number or other means for identifying the link marked		N/A
8.14	Instruction manual and safety instructions: - are provided together with the tool		P
	- are noticed by the user when the tool is removed from the packaging		P
	- include an explanation of the symbols		P

IEC 62841-2-1			
Clause	Requirement + Test	Result - Remark	Verdict
	- are written in the official language(s) of the country in which the tool is sold	In English	P
	- are legible and contrast with the background.		P
	- include business name and address of the manufacturer and, where applicable, his authorised representative		P
	- include the designation of the tool and series or type as required by 8.3, including description of machine such as "drill", "planer" etc.	Diamond core Drill	P
8.14.1	Safety instructions in English are verbatim and in any other official language are equivalent		P
	The general power tool safety warnings may be separate from the instruction manual.		P
	Term "tool" or "power tool" not used for garden machinery; use term such as "machine"		N/A
	Format of all Safety Warnings differentiate the context of all clauses by font or similar means and as illustrated in 8.14.1.1		P
8.14.1 A	The additional safety instructions as specified in 8.14.1.101 are given. This part may be printed separately from the "General Power Tool Safety Warnings".		P
8.14.1.1	General Power Tool Safety Warnings		P
	1) Work Area Safety		P
	2) Electrical Safety		P
	3) Personal Safety		P
	4) Power Tool Use and Care		P
	5) Service		P
8.14.1.2	Order of the Safety Instructions in accordance with A): Part 1 warnings are followed by the relevant part of IEC 62841-2, IEC 62841-3 or IEC 62841-4 warnings, or ...		P
	... order of the Safety Instructions in accordance with B): Part 1 and part 2, 3 or 4 warnings divided into the sections defined by the numbered subtitles and the associated warnings below the numbered subtitle		N/A
	Format of instruction manual section titles for IEC 62841-2, IEC 62841-3 or IEC 62841-4 warnings		N/A
	Order of the Safety Instructions in accordance with C): Any additional warnings deemed necessary by the manufacturer, not inserted within any of the IEC 62841-2, IEC 62841-3 or IEC 62841-4 warnings		P
8.14.1.3	Instruction manual and safety instructions in one common document, or		P

IEC 62841-2-1			
Clause	Requirement + Test	Result - Remark	Verdict
	Warning as specified included in manual		N/A
8.14.1.10 A	Drill safety warnings.		
	1) Safety instructions for all operations:		—
	a) Wear ear protectors when impact drilling. Exposure to noise can cause hearing loss.		P
	b) Use the auxiliary handle(s). Loss of control can cause personal injury.		P
	c) Brace the tool properly before use. This tool produces a high output torque and without properly bracing the tool during operation, loss of control may occur resulting in personal injury.		P
	d) Hold the power tool by insulated gripping surfaces, when performing an operation where the cutting accessory may contact hidden wiring or its own cord.		P
	2) Safety instructions when using long drill bits:		—
	a) Never operate at higher speed than the maximum speed rating of the drill bit.		P
	b) Always start drilling at low speed and with the bit tip in contact with the workpiece.		P
	c) Apply pressure only in direct line with the bit and do not apply excessive pressure		P
8.14.2	Additional instructions and information		P
	a) Instructions for putting into use		P
8.14.2 A	101) For diamond core drills: maximum diamond core bit diameter	Max. core Ø80 mm	P
	102) For tools with a maximum output torque greater than 100 Nm measured in accordance with 19.102: instructions on how to brace the tool.		N/A
	103) For applications which produce a considerable amount of dust, such as impact and diamond core drilling: instruction on how to collect the dust.		N/A
	b) Operating instructions		P
	c) Maintenance and servicing instructions		P
	d) Warnings and instructions for tools with a liquid system		N/A
8.14.3	Information about the mass or weight of the tool, if any, is the mass specified in 5.17.		P

IEC 62841-2-1			
Clause	Requirement + Test	Result - Remark	Verdict
9	PROTECTION AGAINST ACCESS TO LIVE PARTS		
9.1	Tools so constructed and enclosed that there is adequate protection against accidental contact with live parts, even after removal of detachable parts and soft materials		P
9.2	Accessible part not considered live if it is:		N/A
	- supplied with SELV		N/A
	- or separated from live parts by protective impedance, d.c. current not exceeding 2 mA		N/A
	- or separated from live parts by protective impedance, a.c. peak value not exceeding 0,7 mA		N/A
	- for peak value 42,4 V up to and including 450 V capacitance not exceeding 0,1 μ F		N/A
	- for peak value 450 V up to and including 15 kV discharge not exceeding 45 μ F		N/A
9.3	Lamps located behind a detachable cover are not removed		N/A
	Protection against contact with live parts of the lamp cap ensured during insertion or removal of lamps located behind a detachable cover		N/A
	Test probe B of IEC 61032:1997 applied with a force of ≤ 5 N		P
	Opening does not allow entry of test probe B of IEC 61032:1997, rigid test probe applied with a force of 20 N		P
	Test with probe B of IEC 61032:1997 repeated		P
	Test probe does not touch live parts or live parts protected only by lacquer, enamel, ordinary paper, cotton, oxide film, beads or sealing compound		P
9.4	Test probe 13 of IEC 61032:1997 applied with a force ≤ 5 N through openings in class II tools and class II constructions		P
	Exception: openings giving access to lamp caps and live parts in socket-outlets.		N/A
	Test probe is also applied through openings in earthed metal enclosures having a non-conductive coating such as enamel or lacquer.		N/A
	Not be possible to touch live parts with the test probe		P
9.5	Class II tools and class II constructions, adequate protection against accidental contact with basic insulation and metal parts separated from live parts by basic insulation only.		P

IEC 62841-2-1			
Clause	Requirement + Test	Result - Remark	Verdict
	Parts not separated from live parts by double reinforced insulation are not accessible		P
	Probe B of IEC 61032:1997 cannot contact basic insulation through openings in Class II tools or Class II constructions		P

10	STARTING		
10.1	Motors start under normal voltage conditions		P
	Starting ten times at 0,85 times / 1,1 times rated voltage without load (V)	0,85 x 220V = 187 V 1,1 x 240V = 264 V 0,85 x 110V = 93,5 V 1,1 x 120V = 132 V	P
	Tool operated and overload protection devices incorporated in the tool did not activate.		P
	Centrifugal and other automatic starting switches operate reliably and without contact chattering		N/A
10.2	Input current drawn at (2,0 ±0,2) s after starting does not exceed 30 A...	<30 A	P
	... or 4 times the rated current of the tool		N/A

11	INPUT AND CURRENT		
	Marked power input or current is at least 110% of measured no-load input or current	See Table 11	P
	Tool marked with more than one rated voltage, test made at each rated voltage		N/A
	Tools marked with one or more rated voltage ranges, test made at both the upper and lower limits of the ranges		N/A
	Marking of the rated input is related to the mean value of the relevant voltage range, test is made at a voltage equal to the mean value of that range.....		N/A

12	HEATING		
12.1	No excessive temperatures attained at rated input or rated current	See Table 12.1	P
	Temperature rise determined according to Clauses 12.2 to 12.5		P
	Test of Clause C.3 at 1,06 times the rated voltage under heated conditions	See Table C.3A	P
12.2	Tool is operated at each rated voltage; load conditions as specified in 12.2.1; torque applied is measured and maintained; voltage is then adjusted to 0,94 times and 1,06 times the rated voltage		P

IEC 62841-2-1			
Clause	Requirement + Test	Result - Remark	Verdict
	<p>Tool with a rated voltage range is operated at</p> <ul style="list-style-type: none"> - the lower limit of the rated voltage range; conditions as specified in 12.2.1; torque applied is measured and maintained; voltage is then adjusted to 0,94 times the lower limit of the rated voltage range - the upper limit of the rated voltage range; conditions as specified in 12.2.1; torque applied is measured and maintained; voltage is then adjusted to 1,06 times the upper limit of the rated voltage range 		P
	Temperatures are measured at the most unfavourable of the voltage settings used		P
	Temperatures measured by means of thermocouples are taken while the tool is operating		P
12.2.1	R Drills and impact drills are operated continuously until thermal equilibrium is reached with the impact mechanism, if any, disengaged, while the torque applied to the spindle is 80 % of the torque necessary to attain rated input or rated current.		P
12.3.1	Heating elements, if any, are operated under the conditions specified in Clause 11 of IEC 60335-1:2010; tool was operated at 1,06 times the rated voltage		N/A
12.3.2	Tool provided with automatic cord reel, one third of the total length of the cord was unreeled		N/A
12.3.2	Temperature rise was determined near to the hub of the reel and between the two outermost layers of the cord on the reel		N/A
	Cord storage devices, other than automatic cord reels, intended to accommodate the supply cord partially while the tool is in operation, 50 cm of the cord is unwound		N/A
	The temperature rise of the stored part of the cord is determined at the most unfavourable place.		N/A
12.4	Temperature rises, other than those of windings, determined using thermocouples chosen and positioned to have the minimum effect on the temperature of the part tested		P
	Temperature rise of electrical insulation, other than windings, measured on surface of insulation		P
	When possible, temperature rises of windings determined by resistance method		P
	For handles, knobs, grips and the like, all parts considered which are gripped in normal use, and, if of insulating material, to those parts in contact with hot metal		P

IEC 62841-2-1			
Clause	Requirement + Test	Result - Remark	Verdict
12.5	Temperature rises did not exceed values in Tables 1a and 1b, except as allowed by 12.6		P
	Protective devices did not operate		N/A
	Sealing compounds did not flow		N/A
12.5	A For impact drills, the temperature-rise limit specified for the external enclosure does not apply to the enclosure of the impact mechanism.		N/A
12.6	When winding temperatures exceeded values in Table 1, three additional samples successfully subjected to following tests:		N/A
	a) Heat treatment for 240 h at the specified cabinet temperature (°C):		N/A
	b) No inter turn short circuit after oven treatment		N/A
	c) Humidity treatment in accordance with 14.1		N/A
	d) Tests of Annex D	See Table D.2	N/A

13	RESISTANCE TO HEAT AND FIRE		
13.1	Relevant parts sufficiently resistant to distortion due to heat		P
	Parts of thermoplastic material: - provided as enclosure to comply with Clause 9, - supporting current carrying parts, - providing supplementary or reinforced insulation, sufficiently resistant to distortion due to heat		P
	Relevant parts subjected to ball-pressure test acc. to IEC 60695-10-2	See Table 13.1	P
13.2	Part of non-metallic material, except as listed in this clause, resistant to ignition and spread of fire		P
	Parts of non-metallic material other than - material classified at least HB40 per IEC 60695-11-10:2013, provided test sample not thicker than relevant part, - material with a glow wire ignition temperature of at least 575 °C per IEC 60695-2-13:2010, provided that the test sample was no thicker than the relevant part, comply with glow-wire test of IEC 60695-2-11:2000 at 550 °C	See Table 13.2	P
	Soft, foamy, and similar materials which cannot be subjected to glow wire test complies with ISO 9772:2012 for category HBF material with test sample not thicker than relevant part		N/A

14	MOISTURE RESISTANCE		
14.1	Tools are proof against likely humid conditions		P

IEC 62841-2-1			
Clause	Requirement + Test	Result - Remark	Verdict
	Tool subjected to humidity treatment test for 48 h		P
	Relative humidity (93 ± 2) %.....:	93	P
	Temperature (20...30 °C) maintained at ± 1K.....:	25	P
	Samples pre-conditioned to between t and t + 4 °C:		P
	No excessive leakage after humidity treatment.....:	See Table C.2A	P
	No flashover or breakdown occurred during test of Annex D after humidity treatment.....:	See Table D.2	P
	No flashover or breakdown occurred during additional test of D.2 between accessible metal parts and supply cord wrapped with metal foil	See Table D.2	P
14.2	Degree of protection for tool enclosure according to tool classification (IP Code)		N/A
14.2.1	Tool not connected to the supply and turned continuously through most unfavourable positions		N/A
	Removable parts are removed and subjected to the relevant treatment with the main part.:		N/A
14.2.2	Tool rated IPX1 through IPX7 subjected to applicable tests of IEC 60529:2013		N/A
	For IPX7 test, tool immersed in water containing 1,0 % NaCl		N/A
	Tool withstood electric strength test of Annex D after moisture treatment		N/A
	No trace of water on insulation causing reduction of creepage and clearance below values in 28.1		N/A
14.3	No increased risk of electrical shock from liquid systems or spillage of liquid		N/A
	Residual current device is disabled		N/A
	Removable parts, except those fulfilling the test of 21.22., are removed		N/A
	Tool prepared as described in 8.14.2		N/A
	Liquid container filled, then 15% or 0,25 l added.....:		N/A
	Detachable liquid container mounted and dismantled 10 times		N/A
	No excessive leakage.....:		N/A
	No flashover or breakdown occurred during test of D.2 between live parts and accessible parts after drying for 24 h at ambient temperature		N/A
14.4	No increased risk of electrical shock from liquid systems under pressure during operation		P
	Residual current device is disabled		P
	Liquid system is subject to a hydrostatic pressure equal to twice the pressure stated in 8.14.2 d) 1) is applied for 1 h with 1,0 % NaCl solution		P

IEC 62841-2-1			
Clause	Requirement + Test	Result - Remark	Verdict
	Tool did not exceed maximum allowable leakage current during pressure application	See Table C.2B	P
	No flashover or breakdown occurred during test of D.2 between live parts and accessible parts after drying for 24 h at ambient temperature	See Table D.2	P
14.5	Residual current devices complied with IEC 61540:1999 and met requirements a) to c)		P
	a) RCD disconnected only both mains conductors when leakage exceeded 10 mA with a maximum response of 300 ms		P
	Test conducted according to 9.9.2 of IEC 61540:1999, and earthing conductor stayed connected		P
	b) RCD operated correctly for all 50 cycles		P
	c) RCD cannot be removed during use or routine normal maintenance (i.e., residual current device fixed to tool or power supply cord connected to tool)		P
	RCD fitted in supply cord provided with Type Y or Z attachment for connection to supply cord and interconnection cord	Type Y	P

15	RESISTANCE TO RUSTING		
15.1	Ferrous parts adequately protected against rusting		N/A
	Parts used to conduct electricity subjected to test..:		—
	Mechanical parts mechanical parts specified in the relevant part of IEC 62841-2, IEC 62841-3 or IEC 62841-4 subjected to test		—
	All grease removed from the parts to be tested by immersing them in a degreasing agent for 10 min		N/A
	Parts were immersed for 10 min in a 10 % solution of ammonium chloride in water at (20 ± 5) °C		N/A
	Without drying, all drops shaken off, and parts placed for 10 min in a box containing air saturated with moisture at (20 ± 5) °C		N/A
	After parts dried for 10 min in a heating cabinet at (100 ± 5) °C, no evidence of rust on surfaces		N/A
	Small helical springs and the like and parts exposed to abrasion covered by a layer of grease		N/A

16	OVERLOAD PROTECTION OF TRANSFORMERS AND ASSOCIATED CIRCUITS		
16.1	No excessive temperatures occurred during short circuit in transformer or circuits associated with it for a tool supplied from a transformer.....	See Table 16.1	N/A

IEC 62841-2-1			
Clause	Requirement + Test	Result - Remark	Verdict
	Insulation on conductors of SELV circuits was within 15 K of Table 1		N/A
	Temperature of transformer windings did not exceed values in Table 3		N/A
	Transformer complies with IEC 61558-1		N/A
	Power limited by (short-circuit protective device) ...:		—

17	ENDURANCE		
17.1	Construction prevents electrical or mechanical failures that might impair compliance with this standard.		P
	Insulation not damaged		P
	Connections did not work loose		P
	Overload protection devices did not activate		N/A
	No flashover or breakdown occurred during test of Annex D, test voltages reduced to 75 per cent, after tests of 17.2 and 17.3	See Table D.2	P
17.2	No load intermittent operation (2 x 24 h) for hand-held tools		P
	No load intermittent operation (2 x 12 h) for transportable tools		N/A
	Test voltage at each operation (V)	0,9 x 220 V = 198 V 1,1 x 240 V = 264 V 0,9 x 110 V = 99 V 1,1 x 120 V = 132 V	—
	Rate of operation (100s "on", 20s "off").....	100s "on", 20s "off"	—
	Three test positions selected for hand-held tools ...:	3 positions	—
	Normal working position(s) for transportable tools ..		—
	Operation time for each position	8 h	—
	Servicing of carbon brushes and lubricant.....		N/A
	Replacement of parts due to mechanical failure		N/A
	Forced cooling or rest periods if temperature exceeded values in Table 1		N/A
	No operation of overload protection devices		N/A
17.2	R For Impact drills: The impact mechanism remains disengaged for 12h at 1.1x the highest rated voltage or 1,1x the upper limit rated voltage range		N/A
	and then 12h at 0,9x the lowest rated voltage or 0,9x the lower limit rated voltage range		N/A
	Number of operations		N/A
	Number of hours for each operation		N/A

IEC 62841-2-1			
Clause	Requirement + Test	Result - Remark	Verdict
	Test voltage at each operation (V)		N/A
	Rate of operation (100s "on", 20s "off").....		N/A
	Test positions selected		N/A
	Operation time for each position		N/A
	During the test, an axial force was applied to the impact drill through a resilient medium		N/A
	The tool is then operated at rated voltage for 4x6h in test apparatus (Figure 101)		N/A
	If the impact mechanism can be engaged and disengaged at will, the impact mechanism remains engaged.		N/A
	The tool may be switched on and off by means of a switch other than that incorporated in the tool.		N/A
	No electrical or mechanical failure		N/A
	Forced cooling or rest periods if temperature exceeded values in Table 12.1		N/A
	No operation of overload protection devices		N/A
17.3	Tools with Centrifugal switches operated for 10,000 cycles		N/A
	Number of operations under normal load		N/A
	Rate of operations (s "on", s "off")		N/A
	Test voltage 0,9 x rated Voltage (V).....		N/A

18	ABNORMAL OPERATION		
18.1	Risk of fire and mechanical damage impairing - safety and - the protection against electric shock as a result of abnormal operation is obviated as far as is practicable.		P
18.1.1	Tool did not emit flames or molten metal		P
	Compliance with Clause 9 maintained		P
	No flashover or breakdown occurred during test of Annex D between live parts and accessible parts after tests of clause 18	See Table D.2	P
	Tool still operable and continues to comply with 19.1 but without repeating the tests of Clause 20		P
18.2	Fuses, thermal cut-outs, overcurrent protection devices used to provide the necessary protection		N/A
	Electronic circuits relied upon for protection evaluated for this safety critical function as in clause 18.8.		N/A

IEC 62841-2-1			
Clause	Requirement + Test	Result - Remark	Verdict
18.3	Tool with series motor operated without accessories at no load for 1 min at 1,3 times rated voltage, or upper limit of voltage range (V)	1,3 x 240 V = 312 V 1,3 x 120 V = 156 V	—
	No parts were ejected from the tool		P
	Speed limiting device operated		—
18.4	Tools with multiphase motor tested, started from cold, with one phase disconnected, and under the torque produced while operated at rated voltage or the mean value of the rated voltage range with rated input or rated current - for 30 s tests for tool kept switched on by hand or continuously loaded by hand - for 5 min test for other tools.....		N/A
	30 s tests for tool kept switched on by hand or continuously loaded by hand		N/A
	5 min test for other tools		N/A
	After the test, or at the instant of operation of fuses, thermal cut-outs, motor protection devices and the like, the temperature of the windings complied with the limits in Table 3		N/A
	Max winding temperature recorded (°C)		—
18.5	Class I tool with class II construction and class II tool subjected to running overload conditions		P
	Tools with series motor, test of 18.5.1		P
	Class I tool with class II armature test of 18.5.2 instead of 18.5.1		N/A
	Tool with electronically commutated stator windings, test 18.5.4		N/A
	Tool with other motor, test of 18.5.3		N/A
	Lawn and garden machinery, test as specified in relevant part of IEC 62841-4		N/A
18.5.1	All fuses, thermal cut-outs, overload protectors and the like that are accessible or can be reset by the user without the aid of a tool and any self-resetting protective devices were shorted		P
	Functions of electronic circuits that prevent the tool from operating at 160 % rated current disabled		N/A
	Functions of electronic circuits that prevent the tool from operating at 160 % rated evaluated as safety critical functions as in 18.8.		P
	Test circuit minimum 12 kVA	20 kVA	P
	Leakage current between live parts and accessible parts measured as in Clause C.3 did not exceed 2 mA throughout the test and until stabilization afterwards.....	See Table C.3C	P

IEC 62841-2-1			
Clause	Requirement + Test	Result - Remark	Verdict
	Tool operated for 15 min, or until the tool open-circuited, or flame appeared	open-circuited	P
	160% rated test current (A)	23,99 A for 110-120 V 12,03 A for 220-240 V	—
	Tool operated at rated voltage (V).....	120 V 240 V	—
	Overload condition existed for (_min, _sec).....	7min. 2 sec.for 110-120 V 9min. 37sec. For 220-240 V	—
	Condition continued until the tool open-circuited, or flame appeared or 15 minutes expired	open-circuited	N/A
	Elements that opened in case an open circuit occurred		N/A
	When flames appeared, extinguished by CO ₂ extinguisher		N/A
	Tool did not operate after 15 min, cooled to ambient temperature and subjected to test of D.2 at 1500 V between live parts and accessible parts	See Table D.2	N/A
	Tool still operated after 15 min, cooled to ambient temperature and subjected to test of D.2 at 2500 V between live parts and accessible parts	See Table D.2	N/A
	Tool permanently open-circuited due to over temperature condition (except opening of a motor winding), test repeated.		N/A
	Non-self-resetting thermal limit function of an electronic circuit bypassed or evaluated as a safety critical function in 18.8.		N/A
	Tool permanently open-circuited for reasons other than above, the cause is determined and bypassed in a new sample, test repeated		N/A
18.5.2	Test circuit minimum 12 kVA applied to armature ..:		N/A
	Leakage current between commutator segments and the armature shaft measured did not exceed 2 mA throughout the test and until stabilization afterwards.....		N/A
	1,06 times rated voltage (V) applied between opposite commutator segments		—
	160% rated test current (A)		—
	Current applied for 15 min, or until the armature open-circuited, or flame appeared.....		N/A
	When flames appeared, extinguished by CO ₂ extinguisher		N/A
	Armature cooled to ambient temperature and subjected to test of D.2 at 1500 V between commutator segments and the armature shaft	See Table D.2	N/A
18.5.3	Test circuit minimum 12 kVA		N/A

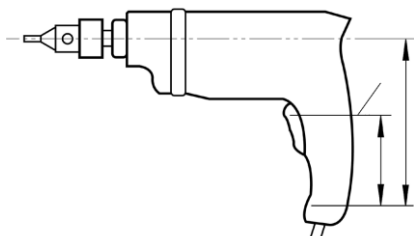
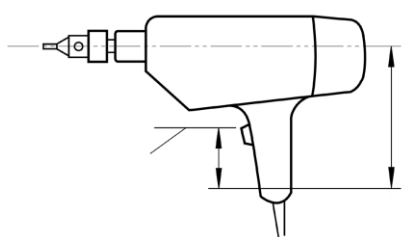
IEC 62841-2-1			
Clause	Requirement + Test	Result - Remark	Verdict
	Tool stalled, capacitors in circuit of auxiliary windings are open-circuited		N/A
	Test repeated with capacitors short-circuited one at a time unless they are of class P2 of IEC 60252-1		N/A
	Operated at rated voltage (V)		—
	Test duration (min, s)		—
	Temperature of the windings did not exceed the relevant value specified in Table 3		N/A
	Conditions of 18.1.1 fulfilled		N/A
18.5.4	Motors with electronically commutated stator windings, all possible static faults of the outputs of the motor drive circuitry considered		N/A
	Protective function prevent these faults evaluated as an SCF according to 18.8 with minimum PL = a :		N/A
	All fuses, thermal cut-outs, overload protectors and the like that are accessible or can be reset by the user without the aid of a tool and any self-resetting protective devices were shorted		N/A
	Leakage current between live parts and accessible parts measured as in Clause C.3 did not exceed 2 mA throughout the test and until stabilization afterwards..... :	See Table C.3D	N/A
	Voltage applied for 15 min, or until the armature open-circuited, or flame appeared..... :		N/A
	Source voltage of the motor drive circuitry..... :		N/A
	When flames appeared, extinguished by CO ₂ extinguisher		N/A
	Any motor windings open-circuited after 15 min, motor cooled to ambient temperature and subjected to test of D.2 at 1500 V between live parts and accessible parts	See Table D.2	N/A
	No motor windings open-circuited after 15 min, motor cooled to ambient temperature and subjected to test of D.2 at 2500 V between live parts and accessible parts	See Table D.2	N/A
18.6	No hazards from electric shock, fire or accessible moving parts occurred under fault conditions of 18.6.1		P
	Tool operated at rated voltage (V)..... :	120 V 240 V	—
	No charring or burning of the gauze or tissue paper occurred		P
	Protection against electric shock as in Clause 9 maintained		P
	Protection against accessibility to moving parts as in 19.1 maintained		P

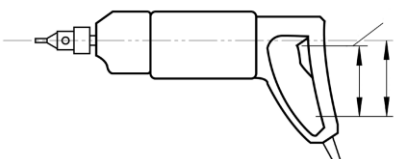
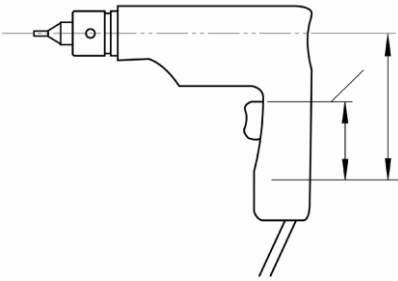
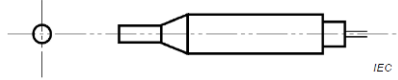
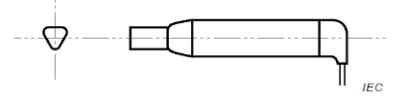
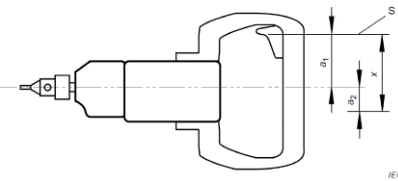
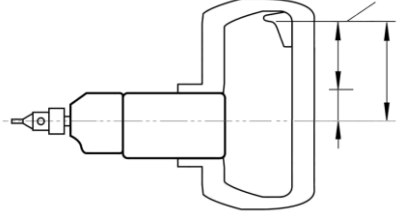
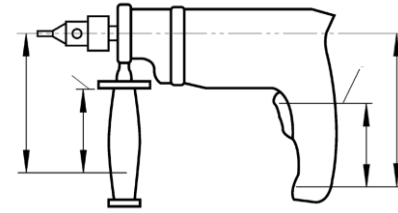
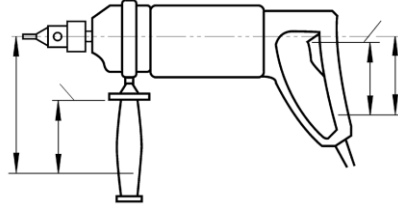
IEC 62841-2-1			
Clause	Requirement + Test	Result - Remark	Verdict
	Evaluation not performed for low power circuits as in Annex H if no SCF can be lost		N/A
	Circuit encapsulated with an insulating material with a minimum thickness of 0,5 mm and no SCF can be lost, circuit evaluated by open-circuiting and short-circuiting within the encapsulated circuit	PWB insulating material > 0,5 mm	P
	Fuses, thermal cut-outs, thermal links, temperature limiters, electronic devices or any components or conductors operated, and		N/A
	– test repeated twice, using two more samples; or		N/A
	– tool withstands test of 18.6.1 with the fuse, thermal cut-out or thermal link bridged; or		N/A
	–miniature fuse link complying with IEC 60127 operates and tool withstands test of 18.6.2		N/A
	Tool withstood the particular test as a conductor of a PCB open-circuited, and		N/A
	– creepage or clearances between live parts and accessible metal parts not reduced below values in 28 due to loosened conductors, and		N/A
	– tool withstood repeated tests with the open-circuited conductor bridged, or		N/A
	– test repeated twice, using two more samples		N/A
18.6.1	Fault conditions a) to f) conducted as applicable	See Table 18.6.1	P
18.6.2	Tests repeated with fuse-link replaced by an ammeter when during fault conditions of 18.6.1, safety of the tool depended on operation of a miniature fuse-link complying with IEC 60127-3,		N/A
	– Circuit not considered to be adequately protected when current measured was ≤ 2.1 times the rated current of fuse-link, and test conducted with fuse-link short-circuited (A)		N/A
	– Circuit considered adequately protected when current measured was ≥ 2.75 times the rated current of fuse-link (A)		N/A
	– Fuse-link short-circuited when current measured was 2,1-2,75 times the rated current of fuse-link, and test conducted as follows (A)		N/A
18.7	Switches and devices for motor reversal withstood stresses occurring when rotation reversed 25 times under running conditions at rated voltage at no-load (V)		N/A
18.8	Electronic circuits providing safety critical functions (SCF)		—
18.8.1	Electronic circuits providing SCF are reliable and not susceptible to loss of SCF due to electro-magnetic environmental stresses		N/A

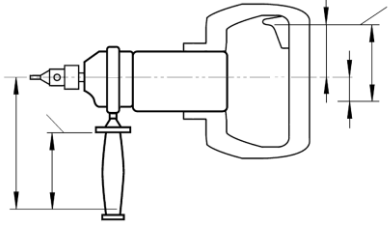
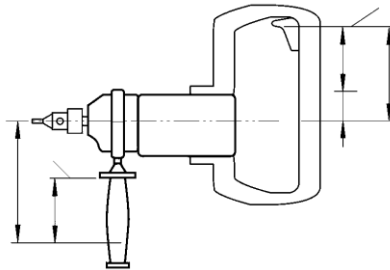
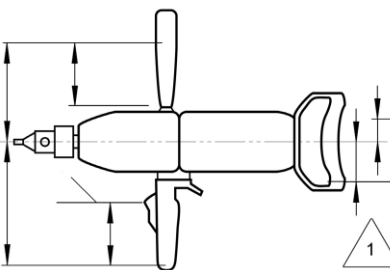
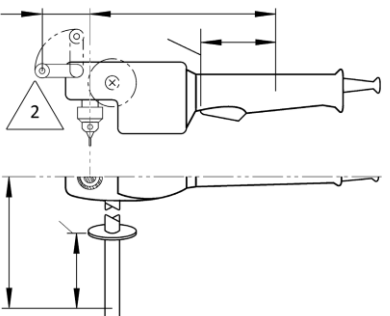
IEC 62841-2-1			
Clause	Requirement + Test	Result - Remark	Verdict
	No SCF lost after tests of 18.8.2 to 18.8.6 for circuits with no internal clock frequency or oscillator frequency > 15 MHz		N/A
	No SCF lost after tests of 18.8.2 to 18.8.7 for other electronic circuits		N/A
	Test voltage was rated voltage or the mean value of the rated voltage range.....:		N/A
	Difference between upper and lower limit of rated voltage range > 20 % of its mean value, test at both upper and lower limits of the rated voltage range...:		N/A
	After evaluation using 18.6.1, no loss of any SCF or tool in a safe state under any present fault condition.		N/A
	Concept of 18.6.1 not appropriate, reliability evaluated using ISO 13849-1.		N/A
18.8.1	R Required performance levels.....:	See Table 18.8.1	N/A
	If only MTTF _d is applied to achieve the required PL: MTTF _d is 5/20/50 years for PL = a/b/c		N/A
	Software used in circuits of programmable devices whose failure would create loss of safety critical function, complied with software class B requirements as in H.11.12.3 of IEC 60730-1:2010		N/A
	In the case where software class B is realized by single channel with periodic self-test, an acceptable period is regarded as either after each activation of the power switch or a maximum of 5 min.		N/A
	Class B realized by single channel, periodic self-test either after each activation of the power switch or at least every maximum 5 min		N/A
	H.11.12.3.4.1 applicable for SCF with a PL ≥ c		N/A
18.8.2	Electrostatic discharges as in IEC 61000-4-2:2008 applied to tool, test level 4 used for air discharge and test level 3 for contact discharge, ten / ten discharges having a positive / negative polarity applied		N/A
18.8.3	Fast transient bursts as in IEC 61000-4-4:2012 applied to tool, test level 3 used. Repetition frequency 5 kHz for 2 min / 2 min with a positive / negative polarity		N/A
18.8.4	Voltage surges as in IEC 61000-4-5:2005 applied to power supply terminals, five positive impulses and five negative impulses applied at the selected points		N/A
	Test level 3 applied for line-to-line coupling mode, a generator with 2 Ω source impedance being		N/A
	Test level 4 applied for line-to-earth coupling mode, a generator with 12 Ω source impedance being		N/A
	Tools has surge arresters incorporating spark gaps, test was repeated at 95 % of the flashover voltage		N/A

IEC 62841-2-1			
Clause	Requirement + Test	Result - Remark	Verdict
18.8.5	Injected currents as in IEC 61000-4-6:2008 applied to tool, test level 3 applicable, all frequencies between 0,15 MHz to 230 MHz covered		N/A
18.8.6	Class 3 voltage dips and interruptions in accordance with IEC 61000-4-11:2004 applied to tool		N/A
	Values of Tables 1 and 2 of IEC 61000-4-11:2004 were applied at zero crossing of the supply voltage		N/A
18.8.7	Radiated fields in accordance with IEC 61000-4-3:2010 applied to tool, test level 3 applicable		N/A
	Frequency ranges 80 MHz to 1 000 MHz tested		N/A

19 MECHANICAL HAZARDS			
19.1	Adequate protection against injury provided against moving and other dangerous parts		P
	Protective enclosures, covers, and the like have adequate mechanical strength and cannot be removed without the aid of a tool		P
	Adjustable guard used as protection of the working element has easily accessible means of accurate adjustment		N/A
	No dangers from adjusting the guards		N/A
	No contact with dangerous moving parts using probe B of IEC 61032:1997, test force $\leq 5N$		P
	Any soft materials removed prior to the test		N/A
19.1	A The test with probe B of IEC 61032:1997 does not apply to the chuck and any accessory that may be inserted.		P
19.2	No hazardous ragged or sharp edges, other than necessary for the functioning of the tool		P
19.3	No contact with dangerous moving parts through dust collection openings, using probe B of IEC 61032:1997, test force $\leq 5N$		N/A
19.4	Hand-held tool has at least one handle or grasping surface for safe handling during use		P
	Transportable tools provided with at least one handle, grasping surface or the like for safe transportation		N/A
	Lawn and garden machinery has adequate grasping surfaces for safe handling during use		N/A
19.5	Tool allows visual check of the contact of cutting tool with workpiece		P
19.6	Marking with rated no-load speed required, measured no-load speed of the spindle did not exceed 110 % of the rated no-load speed		P

IEC 62841-2-1			
Clause	Requirement + Test	Result - Remark	Verdict
19.7	Transportable tool or lawn and garden machinery intended to be used on a surface such as the floor or a table has adequate stability		N/A
	10° tilting test, tool or machinery did not tip over		N/A
	Tested with doors open and closed		N/A
	Filled with most unfavourable quantity of water or the recommended liquid		N/A
19.8	Transportable tool provided with wheels identified in the relevant part of IEC 62841-3 has adequate stability during transportation		N/A
	10° tilting test, tool did not tip over		N/A
19.9	Fixed guards to be removed to convert the tool or to change the accessory, fastenings remains attached to the guard or to the machinery		N/A
	Fastening not completely removed and considered as still attached		N/A
19.101 A	Chuck keys so designed that they drop out of position when released.		P
	Metal clips are not fixed to the flexible cable or cord.		P
	The key fell out within 2 sec when inserted into the chuck, without tightening, and after the tool was turned such that the key was facing down.		P
19.102 A	Handles		
19.102.1	General		
	The design of the handle(s) is such that the operator can control the static stalling torque during the operation of the tool. (Fig 104-107)		P
	Single handle tool		—
		$M_{R,max} = 400 \text{ N} \times a$ $M_{meas.} = \text{Nm}$	N/A
		$M_{R,max} = 400 \text{ N} \times a$ $M_{meas.} = \text{Nm}$	N/A

IEC 62841-2-1			
Clause	Requirement + Test	Result - Remark	Verdict
		$M_{R,max} = 400 \text{ N x a}$ $M_{meas.} = \text{Nm}$	N/A
		$M_{R,max} = 400 \text{ N x a}$ $M_{meas.} = \text{Nm}$	N/A
		$M_{R,max} = 8 \text{ Nm}$ $M_{meas.} = \text{Nm}$	N/A
		$M_{R,max} = 10 \text{ Nm}$ $M_{meas.} = \text{Nm}$	N/A
		$M_{R,max} = 400 \text{ N x a}$ $M_{meas.} = \text{Nm}$	N/A
		$M_{R,max} = 400 \text{ N x a}$ $M_{meas.} = \text{Nm}$	N/A
	Multi handle tool		—
		$M_{R,max} = 400 \text{ N x a}$ $M_{meas.} = \text{Nm}$	N/A
		$M_{R,max} = 400 \text{ N x a} = 76 \text{ Nm}$ $M_{meas.} = 54,0 \text{ Nm}$ Measured on DM52D with lowest mechanical speed adjustment as worst case.	P

IEC 62841-2-1			
Clause	Requirement + Test	Result - Remark	Verdict
		$M_{R,max} = 400 \text{ N} \times a$ $M_{meas.} = \text{Nm}$	N/A
		$M_{R,max} = 400 \text{ N} \times a$ $M_{meas.} = \text{Nm}$	N/A
		$M_{R,max} = 400 \text{ N} \times a$ $M_{meas.} = \text{Nm}$	N/A
		$M_{R,max} = 400 \text{ N} \times a$ $M_{meas.} = \text{Nm}$	N/A
19.102.2 A	Test equipment		
	a) The torque transducer and the rotational angle sensor continuously monitors the torque and the rotation produced by the output spindle of the tool during the test of 19.102.3.		P
	b) The output of the torque transducer is connected to an oscilloscope or other data acquisition equipment capable of displaying the torque vs. time graph of the tool's output during the test of 19.102.3.		P
	c) The torque transducer is rated to measure a torque of at least 150 % of the static stalling torque of the tool or slip torque of an overload clutch (MR) with a measurement accuracy of $\pm 1 \%$.		P
	d) The rotational angle is measured with an accuracy of $\pm 2^\circ$.		P

IEC 62841-2-1			
Clause	Requirement + Test	Result - Remark	Verdict
	e) The data acquisition equipment used for measuring the torque signal during the test has a sampling rate of at least 15 kHz, but the bandwidth is limited by a first order low pass filter with a cut-off frequency of $(1 \pm 0,1)$ kHz.		P
	f) The joint that is connected to the tool during the test is capable of stalling the tool over a rotational angle of 30° to 60°. The joint that fulfils this requirement is a torsional element or other such device that remains in equilibrium during the test.		P
	g) A regulated power supply that is connected to the tool during the test is capable of providing the rated voltage and rated frequency provided on the tool's nameplate (e.g. 120 V AC, 60 Hz). It is also suitably sized such that the voltage drop during the test is not deviate from the rated voltage or the upper limit of the rated voltage range by more than 7 %.		P
19.102.3	Test procedure		
A			
	The measurement is conducted by using seven trial measurements of the same sample, each trial conducted as follows:		—
	1) Energize the tool to the full "on" position as quickly as possible and allow the joint to be tightened until it comes to a complete stop.		P
	2) Record the measured output torque.		P
	a) For tools without a mechanical overload clutch, the output torque is determined by either i) or ii):		P
	i) For signals that are stable for a minimum of 2 ms after the initial peak, the output torque value is determined by measuring over the stable region for an interval T not exceeding 100 ms. (Fig 108)		P
	ii) For signals that are not stable for a minimum of 2 ms after the initial peak, the output torque value shall be the r.m.s. value of the signal over the rotation from off until peak torque is achieved. (Fig 109)		N/A
	The tool employs an electric circuit(s), the output torque is either:		—
	- all functions affecting the output torque are considered SCFs and are evaluated according to 18.8, the applicable value of i) or ii) above with all functions affecting the output torque enabled; or		N/A
	- all functions affecting the output torque are not evaluated as SCFs according to 18.8, the greatest applicable value of i) or ii) above with:		N/A
	• all functions affecting the output torque enabled;		N/A

IEC 62841-2-1			
Clause	Requirement + Test	Result - Remark	Verdict
	• each function affecting the output torque disabled, tested for one trial. If the output torque is greater than the value with all functions enabled, the test resulting in the greatest output torque value is conducted for an additional two trials, where each trial may use a new sample.		N/A
	b) For tools with a mechanical overload clutch: The output torque is determined by the peak value of the first peak that occurs after starting the trial. Later peaks, even if they appear to have greater values, are not taken into account. (Fig 110)		N/A
	3) Before the next trial, disconnect the spindle from the test fixture and operate the tool under no-load for a minimum of 3 s. Allow the tool to cool for a minimum of 2 min before the next trial.		P
	M_R is computed as the average of five of the measurements from each of the seven trials, with the highest and lowest measurement eliminated. The standard deviation of the five measurements shall also be computed and shall be less than 5 %.		P
	If it is not, then the fixture shall be adjusted to achieve the required repeatability. In cases where an electronic circuit that affects the torque is disabled, M_R is computed as an average of the three trials in 19.102.3, item 2) a), last bullet.		N/A

20	MECHANICAL STRENGTH		
20.1	Adequate mechanical strength to withstand rough handling		P
	No flashover or breakdown occurred during test of Annex D between live parts and accessible parts after tests of clause 20.2-20.4	See Table D.2	P
	No live parts became accessible		P
	No creepage distances or clearances below the values of 28.1		P
	Mechanical safety of the tool as required by this standard not impaired		P
	Inner cover withstood test after removal of the decorative cover		N/A
20.2	Three blows applied to every weak point of enclosure by spring-operated impact test apparatus in Clause 5 of IEC 60068-2-75:1997		P
	Brush cap impact energy (Nm).....:	-	—
	Other part impact energy (Nm).....:	1,0 Nm	—
	Blows applied each point of the enclosure likely to be weak	Enclosure	P

IEC 62841-2-1			
Clause	Requirement + Test	Result - Remark	Verdict
	Blows applied to guards, covers, handles, levers, knobs and the like as necessary	Handle, switch knob, enclosure and air-inlet opening	P
20.3	Test of 20.3.1, 20.3.2 or the relevant part of IEC 62841-4 applied, as applicable		P
20.3.1	Hand-held tool withstood impact of 3 varied drops on a concrete surface from 1 m		P
	Separable accessories were not mounted		P
	Any attachments provided as specified in instructions, test repeated with each attachment or combination of attachments mounted to a separate tool sample		P
20.3.2	Transportable tool withstood impact with \varnothing (50 \pm 2) mm, (0,55 \pm 0,03) kg steel sphere, travelling vertically by (1,3 \pm 0,1) m.		N/A
	Drop test applied to part of the tool that can be impacted from above		N/A
	Pendulum test applied to part of the tool that cannot be impacted from above		N/A
	Guard became disassembled but could be reassembled to function properly.		N/A
	Guard became deformed but could be restored to its original shape		N/A
	Other damage, except to guard, accepted, as tool was incapable of normal operation		N/A
20.4	Adequate mechanical strength of brush holder and their caps		N/A
	Brush cap removed and replace 10 times applying specified tightening torque		N/A
	Tightening torque (Nm)		—
	No damage to brush holders impairing its further use, thread not damaged, cap shows no cracks		N/A
20.5	Handles and grasping surfaces have adequate mechanical strength to provide insulation between grasping area and output shaft		P
	A separate sample subjected to a single impact from 1m onto a concrete surface on each handle and each recommended grasping surface		P
	No flashover or breakdown occurred during test of D.2 at 1250 V a.c. between handles and grasping surfaces in contact with foil and the output shaft of the tool	See Table D.2	P
21	CONSTRUCTION		
21.1	Hazardous accidental changing of settings to suit different voltages or speeds unlikely to occur		P

IEC 62841-2-1			
Clause	Requirement + Test	Result - Remark	Verdict
21.2	Accidental changing of settings of control devices unlikely to occur		P
21.3	Removal of parts ensuring required degree of protection against moisture not possible without aid of a tool		N/A
21.4	Fixing of handles, knobs and the like, used to indicate position of switches or similar components in a hazardous wrong position, was not possible		P
21.5	Replacement of a flexible cable or cord requiring displacement of a switch was possible without subjecting internal wiring to undue stress		P
	After repositioning of the switch and before reassembling the tool, verification of correct positioning of internal wiring was possible		P
21.6	Wood, cotton, silk, paper and similar fibrous or hygroscopic material not used as insulation, unless impregnated or chemically rendered non-fibrous		N/A
21.7	Ordinary driving belts not relied upon to provide required insulation		N/A
	Special belt design employed to allow use as electrical insulation		N/A
21.8	Insulating barriers of Class II tools, and parts of Class II tools serving as supplementary or reinforced insulation are:		P
	- fixed such that they cannot be removed without being seriously damaged; or		P
	- so designed that they cannot be replaced in an incorrect position, and when omitted, the tool will be inoperable or manifestly incomplete		N/A
21.9	Inner conductors of a flexible cable or cord are used as wiring within class II construction and insulated from accessible metal parts by:		P
	- the sheath of the supply cord itself, this sheath not being exposed to undue thermal stress, clamping against accessible metal or other mechanical stress that could cause damage to it; or		P
	- a sleeve, tubing or barrier complying with the requirements of supplementary insulation.		N/A
21.10	Air-intake of motor enclosures not excessively large		P
	6 mm steel ball test applied to air-intake openings other than those adjacent to fan		P
21.11	No hazards from parts of Class I tool such as wire, screw, nut, washer or spring becoming loose or falling out of position, and accessible metal not made live		N/A

IEC 62841-2-1			
Clause	Requirement + Test	Result - Remark	Verdict
	Clearance and creepage distances of Class II tool or class II construction not reduced to less than 50% of values shown specified in 28.1		P
	Class II tool or Class II construction, other than those of the all-insulated type, provided with an insulating barrier between accessible metal and motor parts and other live parts		P
	Class I tool with adequately fixed parts, barriers, and sufficiently large creepage and clearances		N/A
	All wires secured in place independent of terminal connection or solder		P
21.12	Supplementary and reinforced insulation not impaired by deposition of dirt, or dust resulting from wear of parts within the tool to the extent that creepage and clearances would be reduced		P
	Ceramic material not tightly sintered and similar materials, and beads alone, not used as supplementary or reinforced insulation		N/A
	Parts of Elastomer, natural or synthetic rubber used as supplementary insulation are resistant to aging		N/A
	Rubber parts so arranged and dimensioned that creepage distances not reduced below values in 28.1, even when cracks occurred		N/A
	Insulated material for embedded heating conductors serves only as basic insulation		N/A
	Ageing test for Elastomer and rubber parts for 70 h at 100±2°C		N/A
	No flashover or breakdown occurred during test of D.2, test voltages reduced to 75 per cent	See Table D.2	N/A
	Rubber parts tested		—
	Immersion test for ceramic material on tight sintering in specified fuchsine solution under no less than 15 MPa		N/A
	Test pressure applied (MPa)		N/A
	Test duration (h)		N/A
	After the test, freshly broken surfaces did not show any trace of dye visible with normal vision		N/A
	Ceramic parts tested		—
21.13	Internal wiring, windings, commutators, slip rings and the like, and insulation in general, not exposed to oil, grease, and similar substances		P
	Adequate insulation properties of oil, grease, and similar substances used for lubrication of gears and the like with no effect on insulation		N/A
21.14	No access to brushes without aid of a tool		P

IEC 62841-2-1			
Clause	Requirement + Test	Result - Remark	Verdict
	When tightening screw-type brush-caps, two surfaces clamped together		N/A
	Locking device retaining brushes in position do not depend upon brush spring tension		P
	Screw-type brush-caps accessible from the outside of the tool made of or covered with insulating material of adequate strength, and not projecting beyond surrounding surface of the tool		N/A
21.15	Tool employing a liquid system protects the user against increased risk of shock due to presence of liquid under normal use and faults of liquid system		P
	Tools employing liquid system constructed as Class III tools, or		N/A
	- class I or II and provided with a residual current device, and complying with 14.3-14.5, or		P
	- class I or class II and designed for use in combination with an isolating transformer and complying with 14.3 and 14.4		P
21.16	Tool with compartment accessible without the aid of a tool and likely to be cleaned in normal use, the electrical connections are not subject to pulling during cleaning		N/A
21.17	Tool is fitted with a power switch to control the motor		P
	Switch actuator easily visible and accessible		P
21.17.1	For tools incorporating a switch with a lock-off device, and switch trigger is operated by squeezing action closing the fingers towards the palm of the hand, lock-off system designed to ensure sufficient durability against abuse and environmental conditions to prevent start by the switch trigger alone		N/A
21.17.1.1	Relevant tool housing is kept for 1 h in a heating cabinet at 80 °C.....:		N/A
21.17.1.2	Additional test of 21.17.1.2 for lock-off devices that are self-restoring to the lock-off position		N/A
	Number of cycles as per 23.1.10.2		N/A
21.17.1.3	Push force of Table 7 applied to most unfavourable point of the switch actuating member.....:		N/A
	The switch did not actuate		N/A
	The switch and its lock-off system operated as designed after the applied force was terminated		N/A
21.18	Requirements of 21.18.1, 21.18.2 or the relevant part of IEC 62841-4 observed, as applicable		P
21.18.1	Hand-held tool fitted with momentary power switch, unless without a relevant part of IEC 62841-2 and without a substantial risk from continued operation		P

IEC 62841-2-1			
Clause	Requirement + Test	Result - Remark	Verdict
	Switch can be switched on and off by the user without releasing any of the required handle(s) or grasping surface(s)		P
21.18.1.1	A momentary switch locking in "on" position unlocks automatically upon a single actuation motion without releasing the grasp on the tool		P
	More than one switch, the lock-on switch(es), if any, is (are) within the grasping zone necessary to control the tool		N/A
	Any one of these switches automatically unlocks or makes ineffective all remaining lock-on devices with a single actuation motion without releasing the grasp on the tool		N/A
	Switch cannot be locked in "on" position when a risk with continued operation is defined by the relevant part of IEC 62841-2		N/A
21.18.1.1 A	Tools with a maximum output torque greater than 100 Nm are not provided with a lock-on device.		N/A
	For tools with a maximum output torque of 100 Nm or less, a power switch lock-on device, if any, is located outside the grasping area, or so designed that it is not likely to be unintentionally locked on by the user's hand during intended left- or right-handed operation.		P
	This grasping area is the contact area between either hand and the tool while the index finger of that hand is resting on the power switch actuator of the tool.		P
	With the power switch in the "on" position, the lock-on device is actuated by a straight edge 25 mm long when the straight edge is pushed down on the lock-on device.		P
	The straight edge is oriented in any direction and is applied to bridge the surface of the lock-on device and any surface adjacent to the lock-on device.		P
21.18.1.2	Switch was locked in "off" position when a risk associated with inadvertent starting is defined by the relevant part of IEC 62841-2		N/A
	Power switch triggers and lock-off devices so located, designed or guarded that inadvertent operation is unlikely to occur		N/A
	Tool did not start when 100 mm sphere is applied to the power switch, or		N/A
	Two separate and dissimilar actions necessary before the motor is switched		N/A
21.18.2	Transportable tool fitted with power switch easily actuated "on" or "off" without any reasonably foreseeable hazard		N/A

IEC 62841-2-1			
Clause	Requirement + Test	Result - Remark	Verdict
21.18.2.1	Power switch in transportable tools is of momentary type, or		N/A
	Voltage recovery following an interruption of the supply gives rise to a hazard		N/A
	Relevant part of IEC 62841-3.....:		—
21.18.2.2	“On”/“off” control capable of being turned off by the operator with a single straight-line motion		N/A
	Flap cover covers the stop button so that pushing the flap actuates the stop		N/A
21.18.2.3	Power switch so located, designed or guarded that unintentional movement to the “on” position is unlikely		N/A
	Tool did not start when 100 mm sphere is applied to the power switch, or		N/A
	Two separate and dissimilar actions necessary before the motor is switched		N/A
21.18.2.4	Push-pull switch is turned off by an inward push		N/A
21.19	Protection against electric shock not affected when screws removed during user maintenance are incorrectly replaced during reassembly		P
	Creepage and clearances between live parts and accessible metal parts not reduced below values in 28.1 when screws are installed at improper screw locations		P
21.20	Tool marked with the first numeral of IP system complies with IEC 60529:2013.....:		N/A
21.21	No risk of electrical shock from charged capacitors when touching pins of the plug		P
	Max. voltage measured between pins of the plug is \leq 34 V after 1 s after each disconnection (V).....:	<34 V	P
	Capacitors rated \leq 0,1 μ F		N/A
	Capacitors complying with the requirements for protective impedance specified in 9.2 and 21.34		N/A
21.22	Non-detachable protective parts either removable with the aid of a tool or reliably fixed		P
	Snap-in devices have an obvious locked position and have fixing properties that do not deteriorate		N/A
	Parts disassembled and assembled 10 times prior to test		N/A
	Parts affected by temperature tested immediately after conditions of Clause 12		N/A
	Test applied to all parts likely to be detached, whether or not fixed by screws, rivets, or similar parts		N/A

IEC 62841-2-1			
Clause	Requirement + Test	Result - Remark	Verdict
	Weak areas of the covers or parts subjected during 10 s to - 50 N push force		N/A
	- 50 N pull force if the shape of the part prevents easy slippage of fingertips		N/A
	- 30 N pull force if projection of the gripped part is less than 10 mm in the direction of removal		N/A
	Test fingernail of Fig. 1 inserted in apertures and joints with a force of 10 N and then slid sideways with a force of 10 N		N/A
	Axial pull unlikely, test fingernail of Fig. 1 inserted in apertures and joints with a force of 10 N to enable a force of 30 N for 10 s by means of a loop		N/A
	A torque of 2 Nm applied at the same time as pull or push force on parts 50 mm or smaller and likely to be subjected to twisting		N/A
	A torque of 4 Nm applied at the same time as pull or push force on parts larger than 50 mm and likely to be subjected to twisting		N/A
	Projection was less than 10 mm and required a torque of (Nm), test torque reduced		N/A
	Parts not detached, and remained in locked position		N/A
21.23	Handles, knobs, grips, levers etc., withstood axial force of 30 N for 1 minute		P
21.24	Storage hooks and similar devices for flexible cords are smooth and well rounded		N/A
21.25	Current-carrying parts and other parts resistant to corrosion under normal use		P
	After tests of Clause 15, no sign of corrosion on relevant parts		N/A
	Stainless steel and similar corrosion-resistant alloys and plated steel considered satisfactory		N/A
21.26	Insulation between parts operating at SELV and other live parts complies with the requirements for double insulation or reinforced insulation		N/A
21.27	Insulation between parts separated by protective impedance comply with requirements for double or reinforced insulation		N/A
21.28	Shafts of operating knobs, handles, levers etc. not live unless their removal does not make the shaft accessible to test probe B of IEC 61032:1997		P
21.29	Handles, levers, and knobs of non-class III tool held or actuated in normal use do not become live during an insulation fault		P

IEC 62841-2-1			
Clause	Requirement + Test	Result - Remark	Verdict
	Metallic handles, levers, and knobs with shaft or fixings likely to become live due to basic insulation fault, either adequately covered by insulating material or their accessible parts separated from their shafts or fixings by insulation		N/A
	Exception for handles, levers, and knobs of transportable tools and lawn and garden machinery of class I		N/A
	Covering or insulating material complies with Electric Strength test in D.2 at 1250 V	See Table D.2	P
21.30	Tool likely to cut into concealed wiring or own cord, handles and grasping surfaces - made of insulating material, or		P
	- metal covered by insulating material, or		N/A
	- their accessible parts are separated by insulating barrier(s) from accessible metal parts that may become live by the output shaft		N/A
	Insulated, stick type, auxiliary handle is provided with a flange ≥ 12 mm high above grasping surface between grasping area and accessible parts that may become live by the output shaft		N/A
	21.30 not applicable as per relevant part of IEC 62841-2, IEC 62841-3 or IEC 62841-4		N/A
21.31	Capacitors in class II tools not connected to accessible metal parts, and their metallic casings are separated from accessible metal parts by supplementary insulation		P
	Capacitors tied to accessible metal parts comply with Clauses 9.2 and 21.34		N/A
21.32	Capacitors not connected between contacts of the thermal cut-outs		N/A
21.33	Lamp holders used only for connection of lamps		N/A
21.34	Protective impedance consists of at least two separate components with impedance unlikely to change significantly during lifetime of tool		N/A
	When a component short or open-circuited, values in Clause 9.2 were not exceeded		N/A
	Resistors comply with 14.1 of IEC 60065:2011 and capacitors comply with 14.2 of IEC 60065:2011		N/A
	Single Y1 capacitor acc. to IEC 60384-14 used instead of two separate components		N/A
22	INTERNAL WIRING		
22.1	Wireways smooth and free from sharp edges, cooling fins, etc		P

IEC 62841-2-1			
Clause	Requirement + Test	Result - Remark	Verdict
	Holes in metal through which insulated wires pass provided with bushings or, except as required by relevant part of IEC 62841-2, IEC 62841-3 or IEC 62841-4, have smooth edges with radius $\geq 1,5$ mm		N/A
	Wiring prevented from coming into contact with moving parts		P
22.2	Internal wiring adequately rigid, fixed or insulated such that creepage and clearances cannot be reduced below values in 28.1		P
	Sleeving used as supplementary insulation on internal wiring, retained in position by positive means (removable only by breaking or cutting, or clamped at both ends)		N/A
22.3	Use of green or green/yellow conductors for earthing terminals only		N/A
22.4	Aluminium wires not used for internal wiring		P
22.5	Stranded conductors with lead-tin soldering are only used with spring terminals with constant contact pressure, except when clamping means pose no risk of bad contact		N/A
22.6	No undue stress to electrical connections and internal conductors from tool parts movable to each other in normal use, during adjustment or user maintenance		N/A
	Flexible metallic tubes do not damage insulation of the conductors contained within them		N/A
	Open-coil springs not used to protect the wiring		N/A
	Adequate additional insulating lining when coiled spring is used		N/A
	Flexing test at a rate of ≤ 6 /min, through the largest angle allowed by the construction		N/A
	Number of flexings 10 000 for conductors/connections flexed during normal use; 2 000 for those flexed during adjustments; 100, for those flexed during user maintenance		—
	Tool withstands test of Annex D between live parts and accessible parts	See Table D.2	N/A
	Live parts not accessible after test		N/A

23	COMPONENTS		
23.1	Components comply with relevant IEC standards	See Table 23.1	P
	Batteries are regarded as part of the tool and comply with Annexes K and/or L		N/A
	Components used in accordance with their markings		P
	Applied exceptions		N/A

IEC 62841-2-1			
Clause	Requirement + Test	Result - Remark	Verdict
	Components not previously tested and found to comply with the relevant IEC standard for the number of cycles specified, tested to 23.1.1 ... 23.1.11.....:		N/A
23.1.1	Capacitors in auxiliary windings of motors marked with their rated voltage and rated capacitance		N/A
23.1.2	Fixed capacitors for radio interference suppression comply with IEC 60384-14		P
23.1.3	Small lamp holders similar to E10 lamp holders meet requirements for E10 lamp holders in IEC 60238		N/A
23.1.4	Isolating and safety isolating transformers comply with IEC 61558-1 and IEC 61558-2-4 or IEC 61558-2-6, as applicable		N/A
	Switch mode power supply units and transformers for such units comply with IEC 61558-2-16		N/A
23.1.5	Appliance couplers comply with IEC 60320, or		N/A
	Instructions provided to inform user to connect the tool with non-IEC appliance couplers		N/A
23.1.6	Automatic temperature controls with electromechanical contacts that cycle in normal use have suitable endurance		N/A
	Tests to IEC 60730-1:2010, Cl. 17, conducted under conditions occurring in the tool		N/A
	Type of controls used and number of cycles per Cl. 17 of IEC 60730-1:2010 (cycles).....:		N/A
	Automatic controls comply with IEC 60730-1:2010, and are used in accordance with their marking		N/A
	Tests of Clause 17 of IEC 60730-1:2010 were not conducted on automatic controls because tool complies with this standard when protective device short-circuited		N/A
	Thermostats and temperature limiters tested in accordance with a specific exception in Note b) of Table 1 of Clause 12		N/A
23.1.7	Unless otherwise specified, tests on components per other standards conducted separately according to the relevant standard		P
	Component, marked and used per its markings		P
	Components not mentioned in Table 1 of Clause 12 tested as part of the tool		N/A
23.1.8	Components not separately tested and found to comply with the component standards as references in 23.1 or components not marked or not used in accordance with their marking, tested in accordance with the referenced relevant standard under the conditions occurring in the tool		N/A

IEC 62841-2-1			
Clause	Requirement + Test	Result - Remark	Verdict
	No IEC standard referenced in 23.1, no additional tests		N/A
23.1.9	Tool operated at 1,1 times rated voltage at no-load, capacitor voltage did not exceed 1,1 times its rated voltage (V)		N/A
23.1.10	Switches constructed to prevent failure that might impair compliance with this standard		P
	Switches, separately tested and found to comply with IEC 61058-1:2008, comply with 23.1.10.1		N/A
	Switches, not separately tested and found to comply with IEC 61058-1:2008, or not complying with 23.1.10.1, tested as in 23.1.10.2 to 23.1.10.3		P
23.1.10.1	Power switches rated for a voltage and current not less than respective ratings of the tool		N/A
	Power switches rated for a.c. in a.c. tools and d.c. in d.c. tools		N/A
	Electronic power switches are at least classified for Continuous Duty as in IEC 61058-1:2008		N/A
	Switches for motor-operated tools and lawn and garden machinery classified for resistive and motor load as in 7.1.2.2 of IEC 61058-1:2008, if this load occurs in normal use		N/A
	Switches for magnetically driven tools and lawn and garden machinery classified for inductive load as in 7.1.2.8 of IEC 61058-1:2008, if this load occurs in normal use		N/A
	Switches alternatively regarded as switches for a declared specific load as in 7.1.2.5 of IEC 61058-1:2008 and classified based on the load conditions of the tool in normal use		N/A
	Ratings and load classifications for switches other than power switches are based on the conditions encountered in the tool		N/A
	Power switches for hand-held tools classified for min. 50K operating cycles.....	Certificated switch: 5E4	N/A
	Power switches for transportable tools and lawn and garden machinery classified for min. 10K operating cycles.....		N/A
	Power switches with series electronics also endure 1000 operating cycles, electronics bypassed		N/A
	Switches other than power switches, if likely to be switched under electrical load, endure 1 000 operating cycles, unless the requirements of this standard are met with the switch short-circuited		N/A
	Exception for switches other than power switches that cannot be operated under electrical load		N/A
	Exception for motor reversing switches		N/A

IEC 62841-2-1			
Clause	Requirement + Test	Result - Remark	Verdict
	Exception for switches other than power switches, classified for 20 mA load as in 7.1.2.6 of IEC 61058-1:2008		N/A
23.1.10.2	Adequate endurance properties of switches		N/A
	Test of 17.2.4.4 of IEC 61058-1:2008 conducted at load specified in 23.1.10.2.1 or 23.1.10.2.2		N/A
	Power switches for hand-held tools tested for 50K cycles.		N/A
	Power switches for transportable tools and lawn and garden machinery tested for 10K cycles		N/A
	Power switch contains mechanical contacts in series with electronic circuitry with one or more SSD and circuitry provides a protective function by reducing the current during switch operation, then test repeated on 3 samples for ≥ 1000 cycles with the electronics bypassed; or		N/A
	Protective function considered SCF and complies with the greater PL levels for power switches in 18.8		P
	Switches other than power switches, if likely to be switched while energized, tested for 1000 cycles under load conditions of normal use		N/A
	After tests all switches were able to be turned on and off and complied with the insulating compliance (TE3) of 17.2.5.3 of IEC 61058-1:2008 for basic insulation		N/A
23.1.10.2.1	Power switches for motor-operated tools and lawn and garden machinery classified to 7.1.2.2 of IEC 61058-1:2008 and tested with external load as specified		N/A
	Power switches for magnetically driven tools and lawn and garden machinery classified to 7.1.2.8 of IEC 61058-1:2008 and tested with external load as specified		N/A
	Switches other than power switches, but which would encounter the same load conditions as power switches in normal use, tested as specified		N/A
23.1.10.2.2	For switches tested using the motor or magnetic load encountered in the tool, tested at rated voltage for the required number of cycles; tool is switched on at no-load and switched off at rated current or rated input		N/A
23.1.10.3	Power switches of motor-operated tools and lawn and garden machinery have adequate breaking capacity		N/A
	Locked-rotor test (TC9) of 17.2.4.9 of IEC 61058-1:2008 at 6 times I-M or with locked motor, each period $\leq 0,5$ s "on" and ≥ 10 s "off"		N/A

IEC 62841-2-1			
Clause	Requirement + Test	Result - Remark	Verdict
	Power switch showed no electrical or mechanical failure after test		N/A
23.1.11	Electronic power switches comply with 18.6 and 18.8		P
23.2	Tool not fitted with switches or automatic controls in flexible cords, except for protective devices such as RCDs		P
	Tool not fitted with devices causing the protection device in the fixed wiring to operate		P
	Tool not fitted with thermal cut-outs which can be reset by a soldering operation		P
23.3	R Protection devices or circuits are of the non-self-resetting type unless the tool is equipped with a momentary power switch with no provision for being locked in the "on" position.		P
23.4	Plugs and socket-outlets for ELV circuits and those used as terminal devices for heating elements not interchangeable with mains plugs and socket-outlets in IEC 60884, IEC/TR 60083 or IEC 60906-1 or with connectors and appliance inlets complying with IEC 60320-1		N/A
23.5	Motors connected to the supply mains with insulation inadequate for the rated voltage comply with Annex B		N/A

24	SUPPLY CONNECTION AND EXTERNAL FLEXIBLE CORDS		
24.1	Tool provided with a supply cord $\geq 1,8$ m and with a plug; cord length (m)	>2 m	P
	Tool provided with a supply cord at least 1,8 m long and without a plug; cord length (m)		N/A
	Information for connection given in the instructions		P
	Tool provided with appliance inlet having at least same degree of protection against moisture as required for the tool		N/A
	Tool provided with a supply cord $\geq 0,2$ m and $\leq 0,5$ m and with a plug or other connector having at least same degree of protection against moisture as required for the tool; cord length (m)		N/A
	Plugs, connectors and inlets suitable for the ratings of the tool		P
24.2	Supply cord assembled to the tool by attachment type (specify X, Y, or Z)	Type Y	P
	Supply cord with type Z attachment is allowed as per relevant part of IEC 62841-2, IEC 62841-3 or IEC 62841-4		N/A

IEC 62841-2-1			
Clause	Requirement + Test	Result - Remark	Verdict
	Supply cords with type X attachment are specially prepared cords only available from the manufacturer or its service agent.....:	Ordinary flexible cord	N/A
	Special cord includes part of the tool		N/A
24.3	Plugs fitted with only one flexible cord		P
24.4	Supply cord not lighter than ordinary tough rubber sheathed flexible cord or ordinary PVC sheathed flexible cord		P
	PVC cords not used if external metal parts exceed 75 K temperature rise during test of Clause 12		N/A
24.5	Nominal cross-section area of supply cord per Table 8 (mm ²).....:	220-240 V: 1,0 mm ² 110-120 V: 1,5 mm ²	P
24.6	Supply cord of class I tool has green or green/yellow core connected to internal earthing terminal of the tool, and to earthing contact of plug		N/A
24.7	Lead-tin solder not used to consolidate leads under contact pressure, except when clamping means used prevents risk of a bad contact		N/A
	Clamping screws alone not used for securing soldered leads		N/A
24.8	Moulding supply cord to any part has no effect on the insulation of the cord		N/A
24.9	Supply cord protected against damage at its entry by flexible cord guard, or cord inlet, or bushing.....:	Flexible cord guard	P
24.10	Cord inlets and bushings shaped to prevent damage to supply cord		P
	Cord inlet and bushings reliably fixed and not removable without the aid of a tool		P
24.11	In tools other than transportable tools, supply cord being flexed during operation is protected against excessive flexing at its entry.....:	Hand-held tool	P
	Flexing test performed in apparatus shown in Fig. 2		P
	Weight attached to cable or cord (kg).....:	5,2 Kg	—
	Oscillating member moved back and forth through an angle of 90° (45° on either side of the vertical) with rate of 60 flexings per minute		P
	After 10,000 flexings, sample turned through 90° about the centre of the cord entry		P
	Cord guard did not slip out from its location after completion of ten 1 sec lifts over 500 mm		P
	After the test, no conductor disconnected from terminal		P
	Number of strands versus number of broken strands of each conductor ≤ 10%.....:	0% broken	P

IEC 62841-2-1			
Clause	Requirement + Test	Result - Remark	Verdict
24.12	In tools other than transportable tools, supply cord being flexed during operation is protected against excessive bending at its entry		P
	Cord guard fixed reliably and projects outside tool for a distance beyond inlet opening of at least 5 times the overall diameter of cord		P
	Mass attached to the free end of cord (g)	See table 24.12	—
	Curvature of cable or cord is nowhere less than 1,5 times the external diameter of cord		P
24.13	Tool provided with cord anchorage to relieve conductors of cord from strain, twisting, and protect them from abrasion.		P
	Pushing cord into the tool not possible		P
	Pull force was applied 25 times at the force shown in Table 9 (N)	100 N	—
	After pull test, cord, unless on an automatic cord reel, subjected to torque in Table 9 for 1 min (Nm) :	0,35 Nm	P
	The cord was not damaged during the tests		P
	No appreciable strain at the terminals		P
	Cord longitudinal displacement (mm).....	0 mm	P
	No appreciable strain at the connection		P
24.14	Cord anchorage either accessible only with the aid of a tool, or the cord can only be fitted using a tool		P
24.15	Cord anchorages properly designed and located		P
	Cord cannot touch clamping screws of the cord anchorage that not separated from accessible metal parts by supplementary insulation		P
	Cord not clamped by metal screw bearing directly on the cord		P
	Glands are not used as cord anchorages		P
	Class I tool, cord anchorage of insulating material or with insulating lining fulfilling basic insulation, if an insulation fault on the cord could make accessible metal parts live		N/A
	Class I tool, sheath of the cord considered adequate		N/A
	Class II tool, cord anchorage of insulating material or insulated by supplementary insulation (sheath of the cord alone not sufficient)		P
24.16	Cord anchorages for type X attachment properly designed and located		N/A
	Cord anchorage allows easy replacement of cord		N/A
	Clear method of relief from strain and prevention of twisting		N/A

IEC 62841-2-1			
Clause	Requirement + Test	Result - Remark	Verdict
	Screws operated during cord replacement are not used to fix any other part		N/A
	Screws operated during cord replacement are used to fix other parts and, if omitted or incorrectly mounted, make the tool inoperative or clearly incomplete		N/A
	Parts fastened to the cord anchorage by the same screw could not be removed without the aid of a tool		N/A
	Conductors inserted into terminals, terminal screws tightened sufficiently to prevent conductors from easily changing their position, torque set at (Nm)...:		N/A
24.17	Knots and tying strings for type X attachment are not used		N/A
24.18	For type X attachment, space for supply cord provided inside or as a part of tool		N/A
	- permits verification of correct connection and positioning of conductors		N/A
	- permits covers to be fitted without risk of damage to supply conductors or their insulation		N/A
	- ensures that uninsulated end of conductor, when detached from a terminal, cannot come into contact with accessible metal parts, or terminations are unlikely to slip free of the conductor		N/A
	For pillar terminals (with conductors that are not separately clamped ≤ 30 mm from terminal), and for other terminals with screw clamping, a force of 2 N applied to the wire in any direction and adjacent to the terminal, screw or stud		N/A
	The uninsulated end of the conductor did not come into contact with accessible metal parts		N/A
24.19	Appliance inlet prevents access to live parts during insertion or removal of the connector		N/A
	Easy insertion of connector		N/A
	After insertion of connector, tool not supported by the connector in any position of normal use on a flat horizontal surface		N/A
	Test probe B of IEC 61032:1997 applied to tool inlet other than appliance inlet per IEC 60320		N/A
	Appliance inlet complies with IEC 60320		N/A
24.20	Interconnection cords meet the requirements for the supply cord, exceptions as follows		N/A
	Cross-sectional area is based on maximum current through conductor during test of Clause 12		N/A
	Insulation adequate for conductor's working voltage		N/A
	Test of 24.11 restricted to range of motion during normal use.		N/A

IEC 62841-2-1			
Clause	Requirement + Test	Result - Remark	Verdict
24.21	Interconnection cords not detachable without tool if compliance with this standard is impaired when they are disconnected		N/A

25	TERMINALS FOR EXTERNAL CONDUCTORS		
25.1	Tool provided with terminals or equally effective devices for connection to external conductors		P
	Terminals only accessible with the aid of a tool		P
	Screws and nuts allowed to also clamp internal conductors when they are unlikely to be displaced when fitting supply conductors		N/A
	Screws and nuts do not fix other components		P
	For tool with type X attachment, soldered connections allowed for connection of external conductors, when soldering alone is not used to maintain conductor in position		N/A
	When provided, barriers prevent creepages and clearances between live parts and other metal parts from being reduced to < 50% of values in 28.1, the conductor can be fixed by soldering alone		N/A
	For type Y and Z attachments, soldered, welded, crimped and similar connections allowed for the connection of external conductors		P
	Class II tools, conductor so positioned or fixed that soldering, crimping, or welding alone not relied upon to maintain the conductor in the position		P
	Barriers prevent creepages and clearances between live parts and other metal parts from being reduced to < 50% of values in 28.1 for the Class of tool using Type Y or Z attachments		P
	Conductors connected by soldering are held in place near termination independent of solder		N/A
	Conductor is "hooked in" before soldering and the hole through which it passes is not too large		N/A
	Terminals of a component built into the tool used to secure external conductors		P
	Conductors connected by other means, leads additionally fixed near terminations		P
	Stranded conductors secured at insulation and conductor		P
25.2	Terminals for supply cords suitable for their purpose		P
	Supply cord terminals withstood pull force of 5 N		P
25.3	For type X attachment, when clamping means tightened or loosened, terminal did work loose, no stress on internal wiring, and creepage and clearances not reduced below values in 28.1		N/A

IEC 62841-2-1			
Clause	Requirement + Test	Result - Remark	Verdict
	Test per Clause 9.6, using 2/3 torque of that in Table 4, of IEC 60999-1:1999 (Nm)		N/A
	Terminals secured by two screws to prevent loosening, or by one screw in a recess, or by other suitable means		N/A
	Correct position of supply terminals maintained by switches and similar devices with recesses and verified after connection of supply cord and repositioning of device		N/A
	Sealing compound without other means of locking not used		N/A
	Self-hardening resins used only on terminals that are not subject to torsion in normal use		N/A
25.4	Type X attachment using terminals to clamp the conductor between metal surfaces do so without damage to conductor after torque test per Cl. 25.3		N/A
25.5	End of conductor inserted in the hole of pillar type terminals is visible, or can pass beyond threaded hole for a distance of half nominal diameter of screw, or 2,5 mm, the greater of the two (mm)	-	N/A
25.6	For type X attachment, terminals clearly recognizable and accessible after opening the tool		N/A
	All terminals located behind one cover, or one part of the enclosure		N/A
25.7	For tool with type X attachment, terminal devices located or shielded to prevent a strand of wire from escaping		N/A
	No risk of accidental connection between live parts and accessible metal parts		N/A
	For class II tool, no risk of accidental connection between live parts and metal parts with supplementary insulation only		N/A
	8 mm long free wire of the stranded supply conductor did not touch any accessible metal part		N/A
	8 mm long free wire of the stranded supply conductor did not touch any metal parts with supplementary insulation only		N/A
	8 mm long free wire of stranded conductor connected to an earthing terminal did not touch any live part		N/A

26	PROVISION FOR EARTHING		
26.1	Accessible metal parts of class I tool permanently connected to an earthing terminal or termination within the tool		N/A

IEC 62841-2-1			
Clause	Requirement + Test	Result - Remark	Verdict
	Accessible metal parts of class I tool permanently connected to the earthing contact of the tool inlet		N/A
	Printed circuit boards are not used to provide continuity of protective earthing circuit		N/A
	No electrical connection between earthing terminals or contacts and neutral terminal		N/A
	No provision for earthing in Class II and III tools		P
	Rotating motor components with metal-to-metal bearing surfaces considered electrically bonded		N/A
	Metal parts behind a decorative cover that do not withstand test of Clause 20 considered accessible metal parts		N/A
26.2	Clamping means of earthing terminals adequately locked against accidental loosening		N/A
	Earthing connections not possible to loosen without the aid of a tool		N/A
	Terminals with screw clamping comply with the relevant requirements of Clause 25, and screwless terminals comply with IEC 60998-2-2		N/A
	For specially prepared cords, terminals comply with IEC 61210 and table 10		N/A
	Screwless terminals tested per IEC 60998-2-2		N/A
26.3	Earth connection of detachable parts was made before the current-carrying connections established when placing the part in position, and the current carrying connections separated before earth connection was broken when removing the part		N/A
	If cord slips out of cord anchorage, current-carrying conductors become taut before earthing conductor		N/A
26.4	No risk of corrosion between metal parts of earthing terminals and copper of earthing conductor		N/A
	Parts transmitting current in case of an insulation fault, other than parts of metal frame or enclosure, are coated or uncoated metal with adequate resistance to corrosion		N/A
	Thickness of electroplated coating (μm)		N/A
	Parts of coated or uncoated metal providing or transmitting contact pressure only, adequately protected against rusting		N/A
	Protection provided against risk of corrosion resulting from contact between copper and aluminium (or aluminium alloy)		N/A
	Parts subjected to a treatment such as chromate conversion coating are used only to provide or transmit contact pressure		N/A

IEC 62841-2-1			
Clause	Requirement + Test	Result - Remark	Verdict
	Thickness of coating of steel measured in accordance with ISO 2178 or ISO 1463 (μm).....:		N/A
	Resistance to rusting test	See also 15.1	N/A
26.5	Resistance of earthing circuit (max. 0,1 Ω).....:		N/A
	Test current (A)		—
	Voltage drop between the earthing terminal and accessible metal part (V)		—

27	SCREWS AND CONNECTIONS		
27.1	Fixings and electrical connections (earthing connections included) withstand mechanical stresses occurring in normal use		P
	Screws not made of soft metal such as zinc or aluminium		P
	Diameter of screws of insulating material not used for electrical or earthing connection, diameter (mm).		N/A
	Screws transmitting electrical contact pressure screw into metal		N/A
	Screws of insulating material not used if their replacement by a metal screw could impair supplementary or reinforced insulation		N/A
	Screws removed when replacing the supply cord with type X attachment, or during maintenance, are not of insulating material where their replacement by a metal screw could impair basic insulation		N/A
	Screws and nuts tightened and loosened 10 times for screw engaged with a thread of insulating material		P
	Nuts and other screws tightened and loosened five times		P
	Screws engaging with a thread of insulating material completely removed and reinserted each time		P
	When testing terminal screws and nuts, a flexible conductor of the largest cross-sectional area per Clause 24.5 placed, and each time repositioned, in the terminal (mm^2).....:		N/A
	Test using a suitable test screwdriver, spanner or key, torque as in Table 11 and the relevant column		N/A
	Column I for metal screw without head, flush with surface (Nm)		N/A
	Column II for other metal screws and nuts (Nm)	See Table 27.1	P
	Column II for screws of insulating material, having a hexagonal head with a width across flats exceeding overall thread diameter (Nm)		N/A

IEC 62841-2-1			
Clause	Requirement + Test	Result - Remark	Verdict
	Column II for screws of insulating material, having a cylindrical head and a key socket with a width across corners exceeding overall thread diameter (Nm).....:		N/A
	Column II for screws of insulating material, with a head having a slot or cross-slots longer than 1,5 times the overall thread diameter (Nm).....:		N/A
	Column III applied to other screws of insulating material (Nm)		N/A
	No damage impairing further use of fixing or electrical connections		P
27.2	Contact pressure not transmitted through insulating material other than ceramic, unless compensated for shrinkage or distortion		N/A
27.3	Space-threaded screws not used for connection of current-carrying parts, unless direct clamping and suitable locking provided		P
	No thread-cutting screws used for connection of current-carrying parts		P
	Use of two space-threaded or thread-cutting screws in earthing circuits		N/A
27.4	Screws making both mechanical and electrical connections are locked against loosening		N/A
	Rivets for current-carrying connections subjected to torsion in normal use locked against loosening		N/A
27.5	Screwless connectors not intended for disconnection in normal use prevent disconnection in normal use		N/A
	Connectors withstood 5 N pull through the wire		N/A
	Neither the connector nor the wire became disconnected		N/A
	Directions of the application and exit of the wire not in line, force applied in both directions, one at a time		N/A
	Connectors fulfilled relevant IEC standards and were considered to fulfil requirements of 27.5.		N/A
27.5.1	Conductors secured by more than one means, unless their detachment does not impair safety		P
	Only one means of securing, test with detached conductors		N/A
	Clearances not reduced below 50 % of values in 28.1		N/A

IEC 62841-2-1			
Clause	Requirement + Test	Result - Remark	Verdict
28	CREEPAGE DISTANCES, CLEARANCES AND DISTANCES THROUGH INSULATION		
28.1	Creepage and clearances not less than the values in Table 12, except for cross-over points of motor windings	See Table 28.1	P
	When a resonance voltage occurs, creepage and clearance are not less than specified for the voltage imposed by the resonance; these values increased by 4 mm in case of reinforced insulation		N/A
	Creepage and clearances for a tool with an appliance inlet measured with an appropriate connector inserted		N/A
	Creepage and clearances on a tool with other attachment measured on the tool as delivered		N/A
	Measurements on tool with belt made with the belt in place and belt tension adjusted to the most unfavourable position within its adjustment range		N/A
	Measurements repeated with the belt removed		N/A
	Movable parts placed in the most unfavourable position		P
	Nuts and screws with non-circular heads tightened in the most unfavourable position		N/A
	Clearances between terminals and accessible metal parts also measured with screws and nuts unscrewed as far as possible and they were not less than 50% of Table 12	See Table 28.1	P
	Distances through slots or openings in external parts of insulating material measured to metal foil in contact with accessible surface with the foil pushed into corners using test probe B of IEC 61032:1997 :	See Table 28.1	P
	2 N force applied to internal wiring, bare conductors and uninsulated capillary tubes of thermostats and similar devices during measurement		N/A
	30 N force applied to enclosure		P
	Measurements made according to Annex A	See Table 28.1	P
	Creepage and clearances on a tool having parts with double insulation and no metal between basic insulation and supplementary insulation		P
	PWB with peak voltage stresses ≤ 150 V per mm between parts of different potential provided with a min. distance of 0,2 mm, when protected against deposition of dirt	See Table 28.1	N/A
	-PWB with 100 V per mm provided with a min. distance of 0,5 mm, when not protected against deposition of dirt	See Table 28.1	N/A
	Values of the table applied when limits mentioned above resulted in higher values than in the table	See Table 28.1	N/A

IEC 62841-2-1			
Clause	Requirement + Test	Result - Remark	Verdict
	Distances reduced further since the tool complied with the requirements of Clause 18 distances short-circuited one at a time.....:	See Table 28.1	N/A
	Creepage and clearances within optocouplers not measured when individual insulation adequately sealed, with air excluded between material layers		N/A
	For live parts of different polarity separated by basic insulation only, creepage and clearances reduced as tool complied with Clause 18 when creepage and clearances short-circuited.....:	See Table 28.1	N/A
28.2	Distance through insulation between metal parts was $\geq 1,0$ mm for working voltages ≤ 130 V when separated by supplementary insulation	See Table 28.2	P
	Distance through insulation between metal parts was $\geq 1,5$ mm for working voltages ≤ 130 V when separated by reinforced insulation	See Table 28.2	P
	Distance through insulation between metal parts was $\geq 1,0$ mm for working voltages $> 130V \leq 280V$ when separated by supplementary insulation, and $\geq 2,0$ mm when separated by reinforced insulation	See Table 28.2	P
	Distance through reinforced insulation between windings and accessible metal parts was $\geq 1,0$ mm for working voltages $\leq 280V$	See Table 28.2	P
	Requirement waived as insulation applied was in thin sheet form, other than mica or similar, and for supplementary insulation consisting of at least two layers, one layer having withstood electrical strength test for supplementary insulation		N/A
	Requirement waived as insulation applied was in thin sheet form, other than mica or similar, and for reinforced insulation consisting of at least three layers, two layers having withstood electrical strength test for reinforced insulation		N/A
	Requirement waived as max. temperature rise determined during test of Cl. 12 did not exceed values in 12.5 for inaccessible supplementary or reinforced insulation		N/A
	Requirement waived as inaccessible reinforced or supplementary insulation, after conditioning for 168h at 50 K above max. temperature rise determined per Cl. 12, withstood test of Annex D at the oven temperature and room temperature ($^{\circ}C$).....:	See Table D.2	N/A
	For optocouplers, 168 h of conditioning at 50 K above the max. temperature rise measured on optocouplers during tests of Clauses 12 and 18, while operating under most difficult conditions		N/A

IEC 62841-2-1			
Clause	Requirement + Test	Result - Remark	Verdict

ANNEX B MOTORS NOT ISOLATED FROM THE SUPPLY MAINS AND HAVING BASIC INSULATION NOT DESIGNED FOR THE RATED VOLTAGE OF THE TOOL			
B.1.1	Motors with working voltage ≤ 42 V		N/A
B.9.2	Metal parts of motor considered bare live parts		N/A
B.12.4	Temperature rise of body of motor determined instead of the temperature rise of the windings		N/A
B.12.5	Temperature rise of the body of the motor in contact with insulating materials did not exceed values in Table 1 for the relevant insulating material	See Table 12.1	N/A
B.18. 201	Tool operated at rated voltage with the terminals of motor and its capacitors short circuited		N/A
	Tool operated at rated voltage with the supply to the motor open circuited		N/A
	Tool operated at rated voltage with shunt resistor open circuited during operation of motor		N/A
B.21.101	For class I tools with a motor supplied by a rectifier circuit, dc circuit insulated from accessible parts of the tool by double or reinforced insulation		N/A

ANNEX C LEAKAGE CURRENT			
C.2	Leakage current measurement of non-operating tool	See Tables C.2A and C.2B	P
C.3	Leakage current measurement of operating tool	See Tables C.3A to C.2D	P

ANNEX D ELECTRIC STRENGTH			
D.1	Any protective impedance were disconnected		N/A
	The tools were not connected to the supply		P
	Electric strength is checked by the tests of D.2		P
	For tools with heating elements, test voltages of IEC 60335-1:2010 apply to the heating elements only		N/A
	Insulation between live parts of motor in accordance with Annex B and its other metal parts not subjected to this test		N/A
	Tool in accordance with Annex L, tool is directly connected to the mains or to a non-isolated source		N/A
	Electronic devices bypassed to enable the test to be conducted		N/A
D.2	Test duration 1 min		P
	Voltage of substantially sinusoidal waveform, frequency 50 Hz or 60 Hz		P
	Electric strength test, voltages applied.....:	See Table D.2	P

IEC 62841-2-1			
Clause	Requirement + Test	Result - Remark	Verdict
	To distinguish between capacitor reactance current and unacceptable performance, d.c. potential 1,414 times the that for a.c. was used.....:		N/A
	No flashover or breakdown occurred during the test	See Table D.2	P
ANNEX H	LOW-POWER CIRCUITS		N/A
ANNEX K	BATTERY TOOLS AND BATTERY PACKS		N/A
ANNEX L	BATTERY TOOLS AND BATTERY PACKS PROVIDED WITH MAINS CONNECTION OR NON-ISOLATED SOURCES		N/A

IEC 62841-2-1			
Clause	Requirement + Test	Result - Remark	Verdict

9.1	TABLE: Protection against access to live parts				N/A
Measurement between relevant parts and poles of supply source	Rated voltage U (V)	Measured voltage (V)	Measured current (A)	Measured capacitance (μF)	
Supplementary information:					

11	TABLE: Input data under no-load conditions					P
Input deviation of/at:	Rated P (W) or I (A)	Measured P (W) or I (A)	Ratio (%)	Required ratio (%)	Remark	
110 V	1800 W	624 W	>110	288	No load	
120 V	1800 W	692 W	>110	260	No load	
220 V	1800 W	625 W	>110	288	No load	
240 V	1800 W	718 W	>110	250	No load	
Supplementary information:						

12.1A	TABLE: Temperature rise measurements under the conditions of 12.2 to 12.5			P
Test voltage (V).....:	207 / 220 / 240 / 254 V			—
Ambient temperature, t_1 ($^{\circ}\text{C}$) :	22,5 $^{\circ}\text{C}$			—
Ambient temperature, t_2 ($^{\circ}\text{C}$) :	23,15 $^{\circ}\text{C}$ / 21,9 $^{\circ}\text{C}$ / 23,75 $^{\circ}\text{C}$ / 23,2 $^{\circ}\text{C}$			
Operating time (min, s)	Until steady condition			—
No Load Speed (min^{-1})	1104/ 1168/ 1372/ 1468 min^{-1}			—
Input Wattage (W)	1698/ 1812/ 1806/ 1953 W			—
Input current (A)	8,23/ 8,26/ 7,53/ 7,68 A			—
Torque (Nm)	9,114/ 7,8204 Nm			—
Thermocouple Locations	Temperature rise measured (K) (0.94Ur / 1.06Ur)		Temperature rise limit (K)	
Supply cord	8		50	
Ambient of switch	5		50	
X2 capacitor	12		60	
PWB	13		50	
Internal wire	9		60	
Handle	6		50	
Switch knob	2		50	
Enclosure	8		30	

IEC 62841-2-1			
Clause	Requirement + Test	Result - Remark	Verdict
Motor core	27	Ref.	
Gear box	28	60	
Supplementary information:			

12.1B	TABLE: Heating test, resistance method					P
	Test voltage (V).....	216,2 V / 254,4 V				—
	Ambient, t ₁ (°C).....	20,5 °C				—
	Ambient, t ₂ (°C).....	22,5 °C				—
Temperature rise of winding	R ₁ (Ω)	R ₂ (Ω)	ΔT measured (K)	ΔT Limit (K)	Insulation class	
Stator	0,614	0,764	60	115	Class 155	
Rotor (diagonal)	1,38	1,97	107	115	Class 155	
Supplementary information:						

12.1C	TABLE: Temperature rise measurements under the conditions of 12.2 to 12.5					P
	Test voltage (V).....	103 / 110 / 120 / 127 V				—
	Ambient temperature, t ₁ (°C) :	22,5°C				—
	Ambient temperature, t ₂ (°C) :	21,25/ 18,55/ 23,25/ 20,25°C				
	Operating time (min, s)	Until steady condition				—
	No Load Speed (min ⁻¹)	948/ 1057/ 1254/ 1339 min ⁻¹				—
	Input Wattage (W)	1676/ 1812/ 1810/ 1958 W				—
	Input current (A)	16,32/ 16,38/ 15,10/ 15,44 A				—
	Torque (Nm)	9,6824/ 7,8204 Nm				—
Thermocouple Locations		Temperature rise measured (K) (0.94Ur / 1.06Ur)		Temperature rise limit (K)		
Supply cord		19		50		
Ambient of switch		7		50		
X2 capacitor		14		60		
PWB		24		50		
Internal wire		10		60		
Handle		5		50		
Switch knob		4		50		
Enclosure		9		30		
Motor core		31		Ref.		
Gear box		31		60		
Supplementary information:						

IEC 62841-2-1			
Clause	Requirement + Test	Result - Remark	Verdict

12.1D	TABLE: Heating test, resistance method					P
	Test voltage (V).....	103 V /127 V				—
	Ambient, t ₁ (°C).....	20,5 °C				—
	Ambient, t ₂ (°C).....	22,5 °C				—
Temperature rise of winding	R ₁ (Ω)	R ₂ (Ω)	ΔT measured (K)	ΔT Limit (K)	Insulation class	
Stator	0,166	0,217	76	115	Class 155	
Rotor (diagonal)	0,353	0,513	113	115	Class 155	
Supplementary information:						

13.1	TABLE: Ball Pressure Test of Thermoplastics				P
	Allowed impression diameter (mm)	2,0			—
Object/ Part No.	Material	Manufacturer/ trademark	Test temperature (°C)	Impression diameter (mm)	
Enclosure	-	-	125	1,2	
Grip	-	-	75	0,9	
Support of PCB	-	-	125	1,2	
Supplementary information:					

13.2	TABLE: Glow Wire Test					P
Object/ Part No.	Material	Manufacturer/ trademark	Test temperature (°C)	Material ignited, Yes/No	Layer under Test Sample ignited, Yes/No	Verdict
Enclosure	-	-	550	No	No	P
Grip	-	-	550	No	No	P
Support of PCB	-	-	550	No	No	P
Supplementary information:						

16	TABLE: Overload Protection of Transformers and Associated Circuits				N/A
	Test voltage.....				—
	Ambient temperature (°C)				—
	Input current (A) / Input Wattage (W).....				—
	Applied short-circuit or overload				—
	Measurement at:	Temperature rise (K)		Allowed Limit (K)	
	Transformer winding (thermocouple)				
	Transformer winding (T ₁)R-R				
	Transformer winding (T ₂)R-R				

IEC 62841-2-1			
Clause	Requirement + Test	Result - Remark	Verdict
	Transformer Lamination		
	Internal wiring		
	Capacitor		
	Printed circuit board		
	SELV circuits		
Supplementary Information:			

18.6.1	TABLE: Fault Condition Tests				P
	Ambient temperature (°C)..... :	22,1			—
	Fuse-link Current (A)	N/A			—
Component	Fault Condition	Test Voltage (V)	Test Duration*	Comment/Result Test repeated Yes/No**	
PWB	Short-circuit	120	30s	Normal operation	
PWB	Open-circuit	120	30s	No operation	
PWB	Short-circuit	240	30s	Normal operation	
PWB	Open-circuit	240	30s	No operation	
Supplementary Information:					
* Tests were continued until					
- a protective device operates, or					
- until steady conditions are established or					
- an open circuit occurs.					
** Test was repeated on a second sample due to an intentionally weak part permanently open-circuited to terminate the test.					

18.8.1	R	TABLE: Performance levels of Safety Critical Functions			N/A
Type and purpose of SCF		Min. PL determined based on: ^{1,2}	Min. PL	Actual PL	
Power switch – prevent unwanted switch-on for tools with $M_{R,max} > 25$ Nm measured in accordance with 19.102		b	b		
Power switch – provide desired switch-off for tools with $M_{R,max} > 25$ Nm measured in accordance with 19.102		c	c		
Prevent exceeding thermal limits as in 18.4		a	a		
Prevent self-resetting as required in 23.3 for tools with $M_{R,max} > 25$ Nm measured in accordance with 19.102		b	b		
Supplementary Information:					

IEC 62841-2-1					
Clause	Requirement + Test	Result - Remark			Verdict
23.1	TABLE: Critical components information				P
Object / part No.	Manufacturer/ trademark	Type / model	Technical data	Standard	Mark(s) of conformity ¹⁾
Supply cord*	Nexans	H07RN-F	3 G 1,5 mm ²	IEC 60245	LCIE
Alternative	Ta Tun Electric	H07RN-F	3 G 1,5 mm ²	IEC 60245	VDE
Alternative	PATELEC	H07RN-F	3 G 1,5 mm ²	IEC 60245	VDE
Alternative	Ta An Electric	H05VV-F	2 x 1,5 mm ²	IEC 60227	VDE
Alternative	Lu Chiang Electric	H05VV-F	2 x 1,5 mm ²	IEC 60227	VDE
Alternative	I-Sheng Electric	H05VV-F	2 x 1,5 mm ²	IEC 60227	VDE
Alternative	Nexans	H07RN-F	2 x 1,5 mm ²	IEC 60245	LCIE
Alternative	Ta Tun Electric	H07RN-F	2 x 1,5 mm ²	IEC 60245	VDE
Supply cord only for 220-240V*	Nexans	H07RN-F	3 G 1,0 mm ²	IEC 60245	LCIE
Alternative	Ta Tun Electric	H07RN-F	3 G 1,0 mm ²	IEC 60245	VDE
Alternative	Ta An Electric	H05VV-F	2 x 1,0 mm ²	IEC 60227	VDE
Alternative	Lu Chiang Electric	H05VV-F	2 x 1,0 mm ²	IEC 60227	VDE
Alternative	I-Sheng Electric	H05VV-F	2 x 1,0 mm ²	IEC 60227	VDE
Alternative	Nexans	H07RN-F	2 x 1,0 mm ²	IEC 60245	LCIE
Alternative	Ta Tun Electric	H07RN-F	2 x 1,0 mm ²	IEC 60245	VDE
Power plug*	Ta An Electrical	TP-66	250 Vac; 13 A (fuse included)	BS 1363	ASTA
Alternative	Ta An Electrical	TP-52	16 A; 250 Vac	IEC 60884	VDE
Alternative	Ta An Electrical	TP-50	16 A; 250 Vac	IEC 60884	VDE
Alternative	Ta An Electrical	TP-51	16 A; 250 Vac	IEC 60884	VDE
Alternative	Ching Cheng Wire Material	EL-208	16 A; 250 Vac	SABS 164-1	SABS
Power plug only for 220-240 V*	Ta An Electrical	TP-34	10 A; 250 Vac	IRAM 2006 IRAM 2073	IRAM
Alternative	Ta An Electrical	TP-22	10 or 15 A; 250 Vac	AS/NZS 3112	N18886
Alternative	Ta An Electrical	TP-33	10 A; 250 Vac	CEI 23-50	IMQ
Alternative	Ta An Electrical	TP-32	10 A; 250 Vac	IEC 60884	SEMKO
Alternative	Ta An Electrical	TP-23	10 A; 250 Vac	IEC 60884	DEMKO
Alternative	PATELEC ITALIA	TP-23	16 A; 250 Vac	SANS 164-1	SABS
Power plug only for 110-120 V*	Ningbo Zhpon	P1134	16 A; 110-130 Vac	IEC 60309	SEMKO
Alternative	PATELEC ITALIA	TP-23	16 A; 250 Vac	SANS 164-1	SABS
Main switch	Defond Components	BGV-2122- 000-R30	250 Vac; 10(10) A 125 Vac; 22(22) A; 5E4	IEC 61058-1	UL DEMKO
220-240 V PWB	Taiwan Lord	DM6DV01-1	220-240 Vac	IEC 60745	Tested in Appliance
110-120 V PWB	Taiwan Lord	DM6DV01-2	110-120 Vac	IEC 60745	Tested in Appliance
PCB	HANSONIC	FR-4-86	1,6 mm (UL/E131242)	IEC 60745	Tested in Appliance
PRCD	Wenzhou Bestfun	RCD05	220-240 Vac; 16 A; 10 mA; IP55	IEC 61540	TUV

IEC 62841-2-1					
Clause	Requirement + Test	Result - Remark	Verdict		
23.1	TABLE: Critical components information			P	
Object / part No.	Manufacturer/ trademark	Type / model	Technical data	Standard	Mark(s) of conformity ¹⁾
1) Provided evidence ensures the agreed level of compliance. See OD-CB2039.					
2) License available upon request					
*) or other certified plugs or cables with the same technical data					
**) or any other certified brand/type with equivalent ratings and the same construction.					

24.1	TABLE: Length of supply cord			P
Manufacturer of Cable	Cable type	Nominal cross-section used (mm ²)	Length of supply cord measured (m)	
Ta An	H05VV-F	1,0	>2 m	
Ta An	H07RN-F	1,5	>2 m	
Supplementary information:				

24.5	TABLE: Nominal cross-section area of supply cord				P
Rated current (A) ¹ :	-	Current measured during clause 12. (A):	220-240 V: max. 8,26 A	Nominal cross-section required per table 8:	1,0 mm ²
Manufacturer of Cable	Cable Type		Nominal cross-section used		
Ta An	H05VV-F or H07RN-F		1,0 mm ²		
Rated current (A) ¹ :	-	Current measured during clause 12. (A):	110-120 V: max. 16,38 A	Nominal cross-section required per table 8:	1,5 mm ²
Manufacturer of Cable	Cable Type		Nominal cross-section used		
Ta An	H05VV-F or H07RN-F		1,5 mm ²		
Supplementary information:					
¹ Current measured during test of clause 12.1, if no current rating marked.					

24.11	TABLE: Flexing and lifting				P
Weight of tool (kg):	5,2 kg	> 10 000 flexings, sample turned about 90° (Yes/No):	Yes		
Weight attached to cable or cord (kg):	5,2 kg	Cord guard slipped out after 10 completed 1 s lifts (Yes/No):	No		
Manufacturer of Cable	Cable type	No. of strands (total)	No. of strands (broken)	Deviation in %	
Ta An	H05VV-F	43	0	0	
Ta An	H07RN-F	41	0	0	
Supplementary information:					

24.12	TABLE: Cord guard			P
--------------	--------------------------	--	--	----------

IEC 62841-2-1						
Clause	Requirement + Test			Result - Remark		Verdict
Cable manufacturer	Cable type	Overall Ø of cord (mm)	Cord guard length min. (mm)	Cord guard length meas. (mm)	Mass attached (g)	Radius of curvature (mm)
Ta An	05VV-F	6,33	32	67	401	>22
Ta An	H07RN-F	8,25	42	67	681	>22
Supplementary information:;						

24.13	TABLE: Cord anchorage						P
Manufacturer of Cable	Cable type	Cord is pulled 25 times at (N)	Cord is twisted for 1 min at (Nm)	Cord damaged	Longitudinal displacement	Conductors movement	
-	H05VV-F	100 N	0,35	No	No	No	
-	H07RN-F	100 N	0,35	No	No	No	
Supplementary information: -							

27.1	TABLE: Torque Test for screws and nuts					P
Threaded part identification	Thread diameter (mm)	Column number (I, II, or III)	Applied torque (Nm)	Number of cycles (5 or 10)		
Grip screws	3,9	II	1,2	10		
Anchorage screws	3,9	II	1,2	10		
Terminal screw	3,4	II	0,8	10		
Earthing terminal	3,9	II	1,2	10		
Supplementary information:						

28.1	TABLE: Clearance And Creepage Distance Measurements						P
clearance cl and creepage distance cr at/of:	Up (V)	U r.m.s. (V)	Required cl (mm)	cl (mm)	required cr (mm)	cr (mm)	
L and N	-	240	2,5	>5	3,0	>5	
Stator winding and core	-	240	2,0	2,2	2,0	2,2	
Rotor winding and core	-	240	2,0	2,3	2,0	2,3	
Internal wire and enclosure	-	240	4,0	4,8	4,0	4,8	
Commutator and bearing	-	240	8,0	8,3	8,0	8,3	
Live part and plastic enclosure	-	240	8,0	9,1	8,0	9,1	
Rotor winding and bearing	-	240	6,0	7,2	6,0	7,2	
Supplementary information:							

IEC 62841-2-1			
Clause	Requirement + Test	Result - Remark	Verdict

28.2	TABLE: Distance Through Insulation Measurements			P
Distance through insulation dti at/of:	U r.m.s. (V)	Test voltage (V)	Required dti (mm)	dti (mm)
Metal parts separated by supplementary insulation	120	N/A	1,0	2,01
Accessible metal parts separated by reinforced insulation	120	N/A	1,5	2,01
Metal parts separated by supplementary insulation	240	N/A	1,0	2,01
Accessible metal parts separated by reinforced insulation	240	N/A	2,0	2,01
Supplementary information:				

IEC 62841-2-1			
Clause	Requirement + Test	Result - Remark	Verdict

C.2A	TABLE: Leakage Current of the non-operating tool as per clause 14.1					P
Points of application	Test voltage (rated V)	Freq. (Hz)	Selector Switch Position	Allowed leakage current (mA)	Measured leakage (mA)	
L/N and body	120	50	OFF	0,75	0,016 / 0,026	
L/N and body	240	50	OFF	0,75	0,011 / 0,019	
Supplementary Information:						

C.2B	TABLE: Leakage Current of the non-operating tool as per clause 14.4					P
Points of application	Test voltage (rated V)	Freq. (Hz)	Selector Switch Position	Allowed leakage current (mA)	Measured leakage (mA)	
L/N and body	127	50	ON	0,75	0,015/0,023	
L/N and body	254	50	ON	0,75	0,011/0,016	
Supplementary Information:						

C.3A	TABLE: Leakage Current of the operating tool as per clause 12.1					P
Points of application	Test voltage (1.06 X rated V)	Freq. (Hz)	Selector Switch Position (ON /OFF ¹)	Allowed leakage current (mA)	Measured leakage (mA)	
L/N and body	127	50	ON	0,75 mA	0,018 / 0,021	
L/N and body	254	50	ON	0,75 mA	0,005 / 0,010	
Supplementary Information:						

C.3B	TABLE: Leakage Current of the operating tool as per clause 14.3					N/A
Points of application	Test voltage (rated V)	Freq. (Hz)	Selector Switch Position (ON /OFF ¹)	Allowed leakage current (mA)	Measured leakage (mA)	
Supplementary Information:						

C.3C	TABLE: Leakage Current of the operating tool as per clause 18.5.1					P
Points of application	Test voltage (rated V)	Freq. (Hz)	Selector Switch Position (ON /OFF ¹)	Allowed leakage current (mA)	Measured leakage (mA)	
L/N and body	120	50	ON	2	0,090/0,090	
L/N and body	240	50	ON	2	0,070/0,070	
Supplementary Information:						

C.3D	TABLE: Leakage Current of the operating tool as per clause 18.5.4					N/A
Points of application	Test voltage (rated V)	Freq. (Hz)	Selector Switch Position (ON /OFF ¹)	Allowed leakage current (mA)	Measured leakage (mA)	

IEC 62841-2-1			
Clause	Requirement + Test	Result - Remark	Verdict

Supplementary Information:

D.2	TABLE: Dielectric Strength			P
Test voltage applied between:	Test during or after clause	Test potential applied (V)	Breakdown / flashover (Yes/No)	
- windings and metal core of the motor field over basic insulation	12.6	1250	N/A	
- commutator and metal core of the motor armature over basic insulation	12.6	1250	N/A	
- metal core and motor armature spindle of the motor armature over supplementary insulation	12.6	2500	N/A	
- commutator and motor armature spindle over reinforced insulation	12.6	3750	N/A	
- between live parts and other metal parts over basic insulation	14.1	1250	P	
- between inaccessible metal parts and accessible parts over supplementary insulation	14.1	2500	P	
- between live parts and accessible parts over reinforced insulation	14.1	3750	P	
- accessible metal parts in class I tools and the supply cord wrapped with metal foil	14.1	1250	N/A	
- accessible metal parts in class II tools and the supply cord wrapped with metal foil	14.1	1750	N/A	
- between live parts and other metal parts over basic insulation	14.2.2	1250	N/A	
- between inaccessible metal parts and accessible parts over supplementary insulation	14.2.2	2500	N/A	
- between live parts and accessible parts over reinforced insulation	14.2.2	3750	N/A	
- live parts and accessible parts over basic insulation	14.3	1250	N/A	
- live parts and accessible parts over reinforced insulation	14.3	3750	N/A	
- live parts and accessible parts over basic insulation	14.4	1250	P	
- live parts and accessible parts over reinforced insulation	14.4	3750	P	
- between live parts and other metal parts over basic insulation	17.2 and 17.3	937,5	P	
- between inaccessible metal parts and accessible parts over supplementary insulation	17.2 and 17.3	1875	P	
- between live parts and accessible parts over reinforced insulation	17.2 and 17.3	2812,5	P	
- live parts and accessible parts over basic insulation	18.3 and 18.4	1250	P	

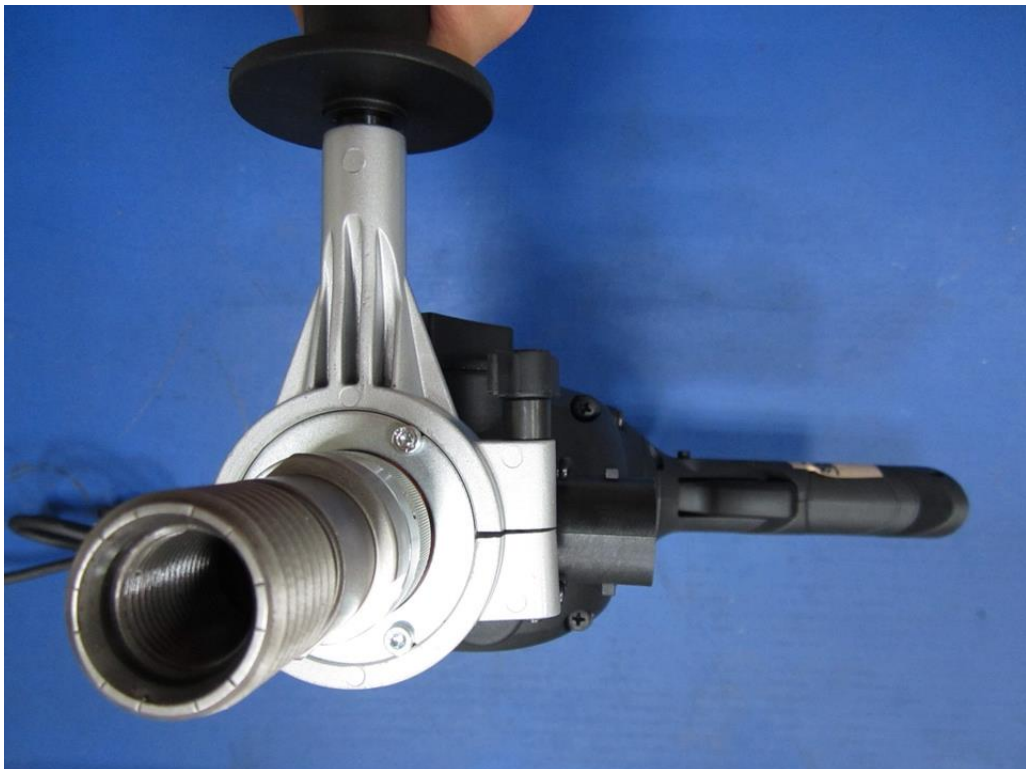
IEC 62841-2-1				
Clause	Requirement + Test	Result - Remark	Verdict	
	- live parts and accessible parts over reinforced insulation	18.3 and 18.4	3750	P
	- live parts and accessible parts not grounded, if the tool does not operate anymore	18.5.1	1500	N/A
	- live parts and accessible parts not grounded, if the tool still operates	18.5.1	2500	P
	- commutator segments and armature shaft in series motors with class II armature construction	18.5.2	1500	N/A
	- live parts and accessible parts not grounded, if any winding is open circuited	18.5.4	1500	N/A
	- live parts and accessible parts not grounded, if no windings are open circuited	18.5.4	2500	N/A
	- live parts and accessible parts over basic insulation	20.2 to 20.4	1250	P
	- live parts and accessible parts over reinforced insulation	20.2 to 20.4	3750	P
	- between the handles and grasping surfaces in contact with foil and the output shaft of the tool	20.5	1250	P
	- between live parts and other metal parts over basic insulation	21.12	937,5	N/A
	- between inaccessible metal parts and accessible parts over supplementary insulation	21.12	1875	N/A
	- between live parts and accessible parts over reinforced insulation	21.12	2812,5	N/A
	- shafts of operating knobs, handles, levers etc. and their insulating covering wrapped in metal foil	21.29	1250	P
	- live parts and accessible parts over basic insulation	22.6	1250	N/A
	- live parts and accessible parts over reinforced insulation	22.6	3750	N/A
	- basic insulation	28.2.b)	1250	N/A
	- supplementary insulation	28.2.b)	2500	N/A
	- reinforced insulation	28.2.b)	3750	N/A
	- over insulation protecting from electric shock	K.9.5	750	N/A
Supplementary information:				

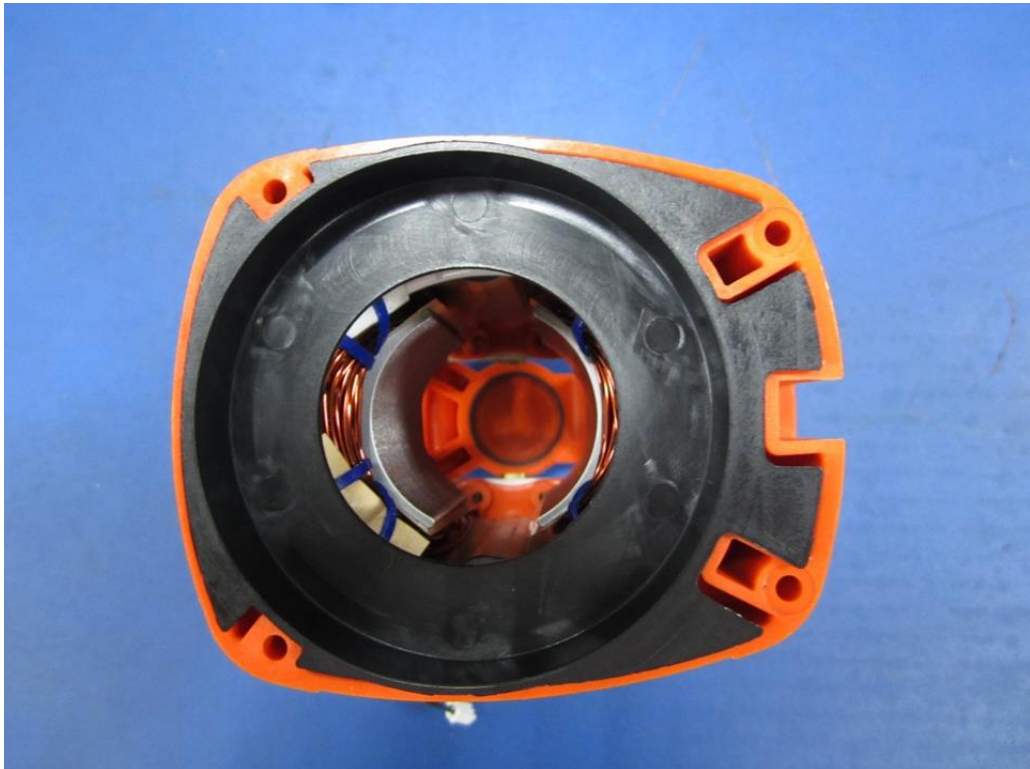
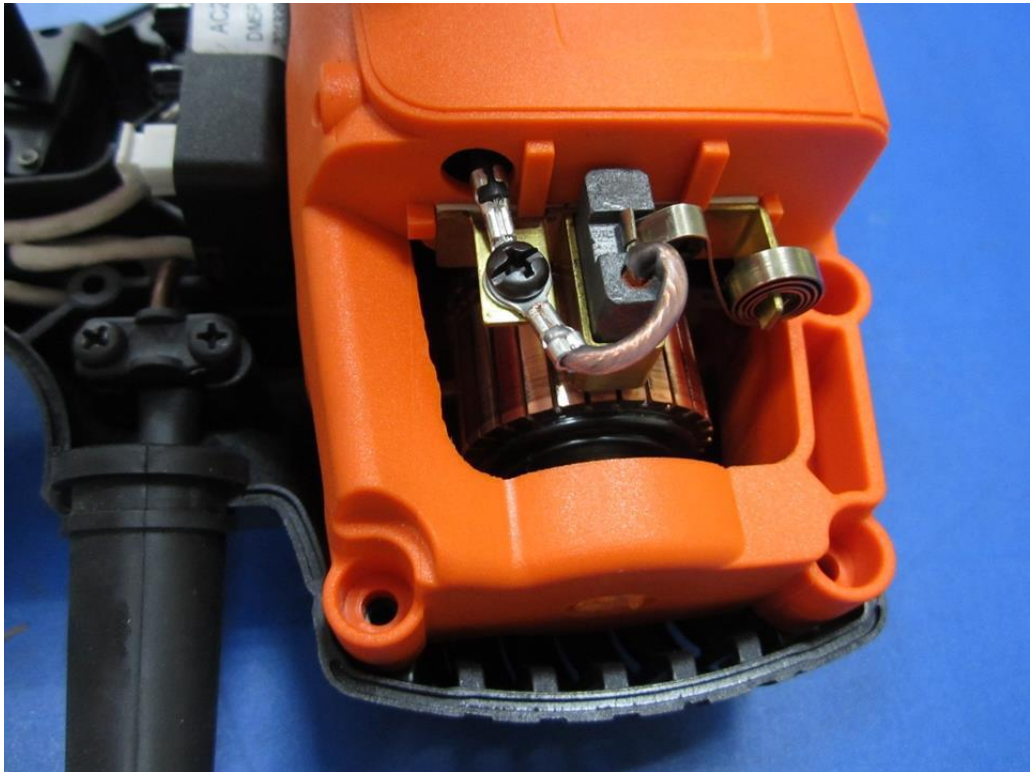
Photos:

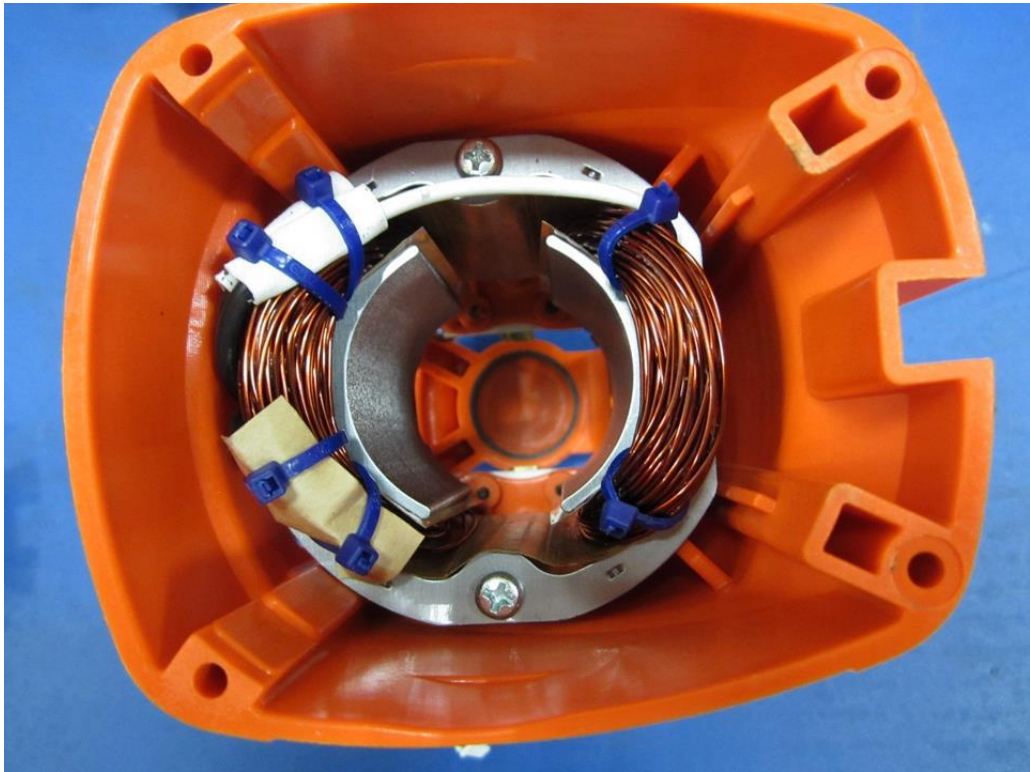
DM52P











DM52D







DM2



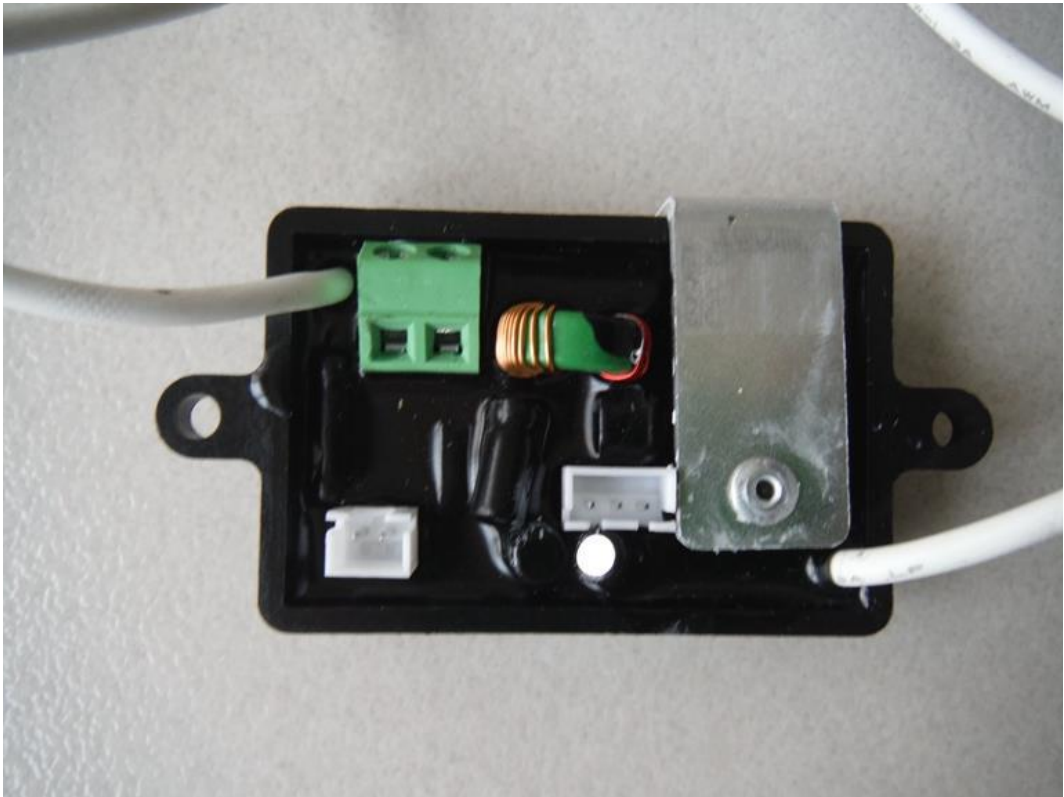


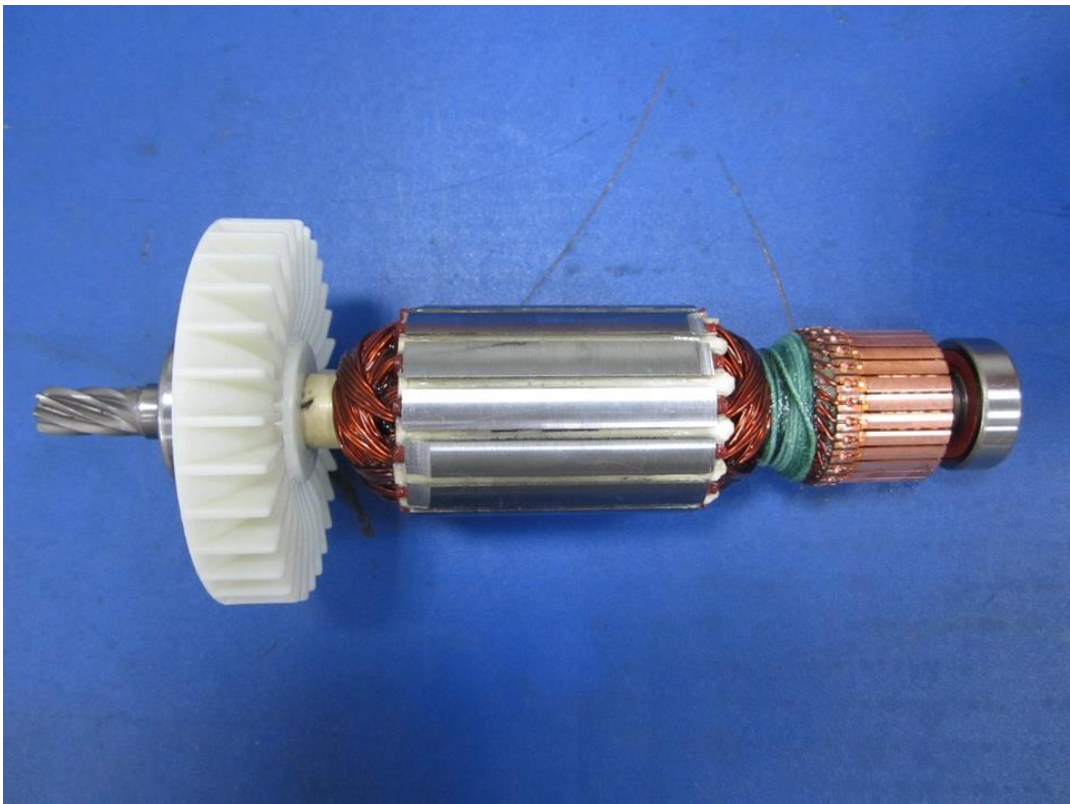




For all types







-----END-----